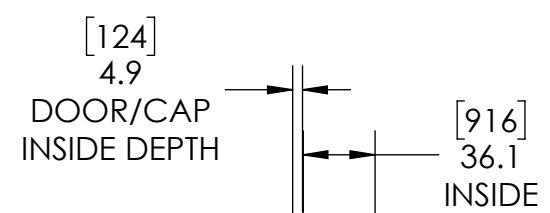
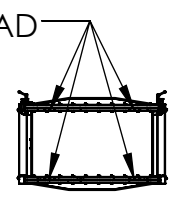
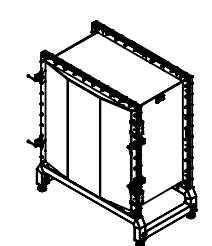


[1299] 51.1
DOOR ARC

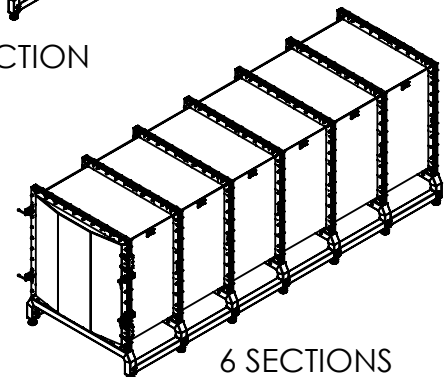
4X LIFTING POINTS
1/2"-20 THREAD



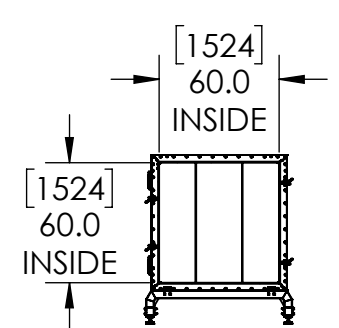
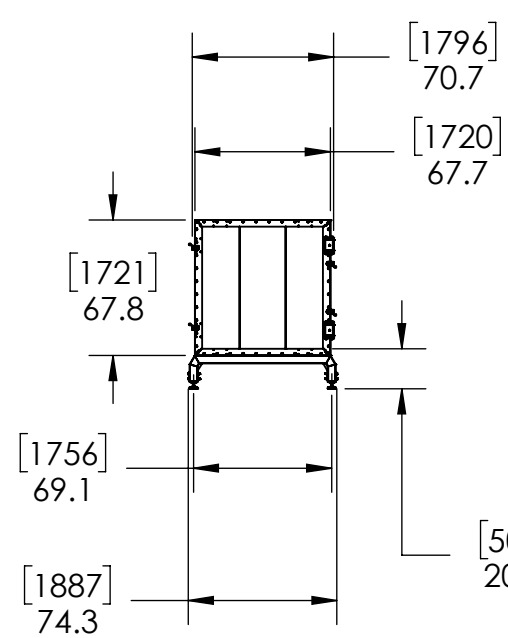
SECTION C-C



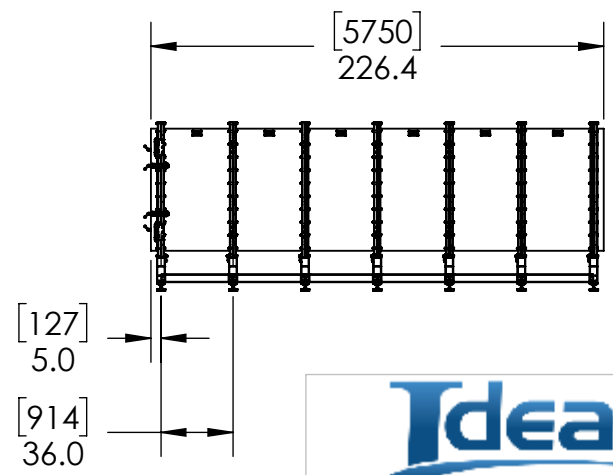
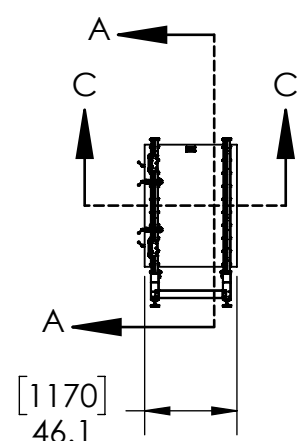
1 SECTION



6 SECTIONS



SECTION A-A



1. Optional stand. Various heights available.
2. System is compatible with additional sections.
3. Ports configured and approved before production.

DO NOT SCALE DRAWING

**UNLESS OTHERWISE SPECIFIED
DIMENSIONS ARE IN INCHES**

**DIMENSIONS PROVIDED FOR
REFERENCE ONLY**

PROPRIETARY AND CONFIDENTIAL

THE INFORMATION CONTAINED IN THIS
DRAWING IS THE SOLE PROPERTY OF IDEAL
VACUUM PRODUCTS, LLC. ANY
REPRODUCTION IN PART OR AS A WHOLE
WITHOUT THE WRITTEN PERMISSION OF IDEAL
VACUUM PRODUCTS, LLC IS PROHIBITED.



Ideal Vacuum Sectional
Chamber, 60 x 60 Door Size

SIZE A	Part No: P1013403	RELEASE DATE: 10/19/2023
SCALE:1:96	WEIGHT:	SHEET 1 OF 1