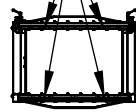
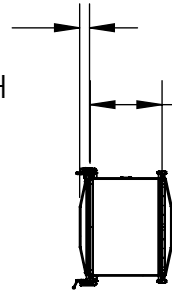


4X LIFTING POINTS  
1/2"-20 THREAD

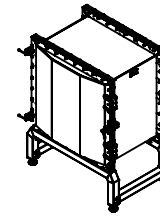


[124]  
4.9  
DOOR/CAP  
INSIDE DEPTH

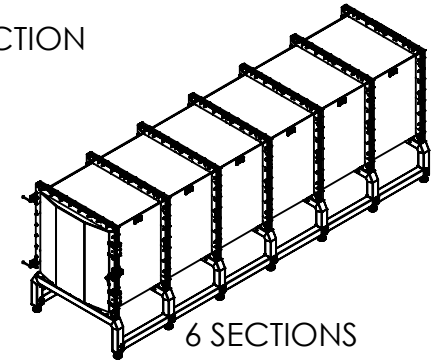


SECTION C-C

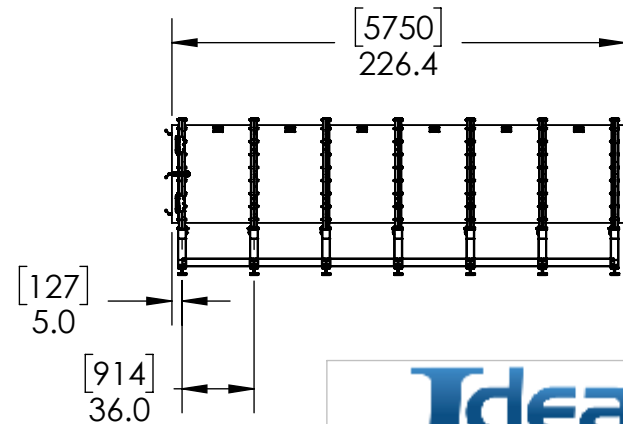
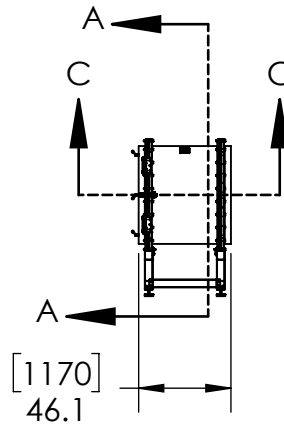
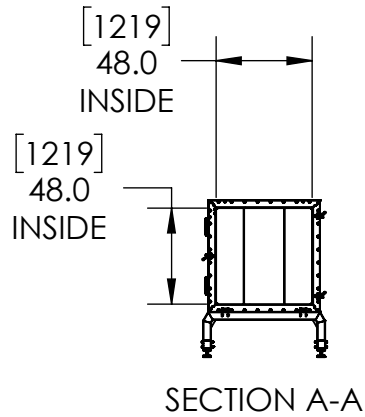
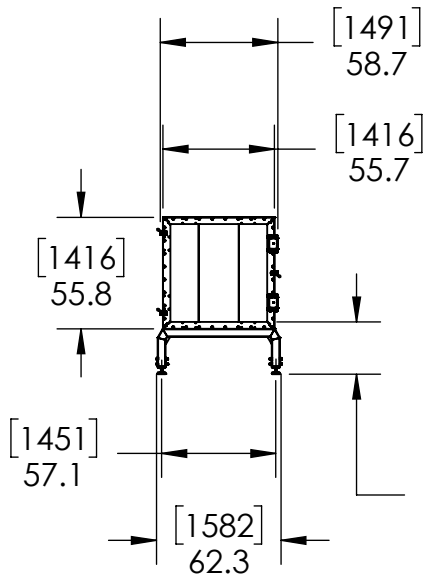
[916]  
36.1  
INSIDE



1 SECTION



6 SECTIONS



1. Optional stand. Various heights available.
2. System is compatible with additional sections.
3. Ports configured and approved before production.

DO NOT SCALE DRAWING

UNLESS OTHERWISE SPECIFIED  
DIMENSIONS ARE IN INCHES

DIMENSIONS PROVIDED FOR  
REFERENCE ONLY

PROPRIETARY AND CONFIDENTIAL

THE INFORMATION CONTAINED IN THIS  
DRAWING IS THE SOLE PROPERTY OF IDEAL  
VACUUM PRODUCTS, LLC. ANY  
REPRODUCTION IN PART OR AS A WHOLE  
WITHOUT THE WRITTEN PERMISSION OF IDEAL  
VACUUM PRODUCTS, LLC IS PROHIBITED.



Ideal Vacuum Sectional  
Chamber, 48 x 48 Door Size

SIZE <b>A</b>	Part No: P1013402	RELEASE DATE: 10/19/2023
SCALE:1:96	WEIGHT:	SHEET 1 OF 1