

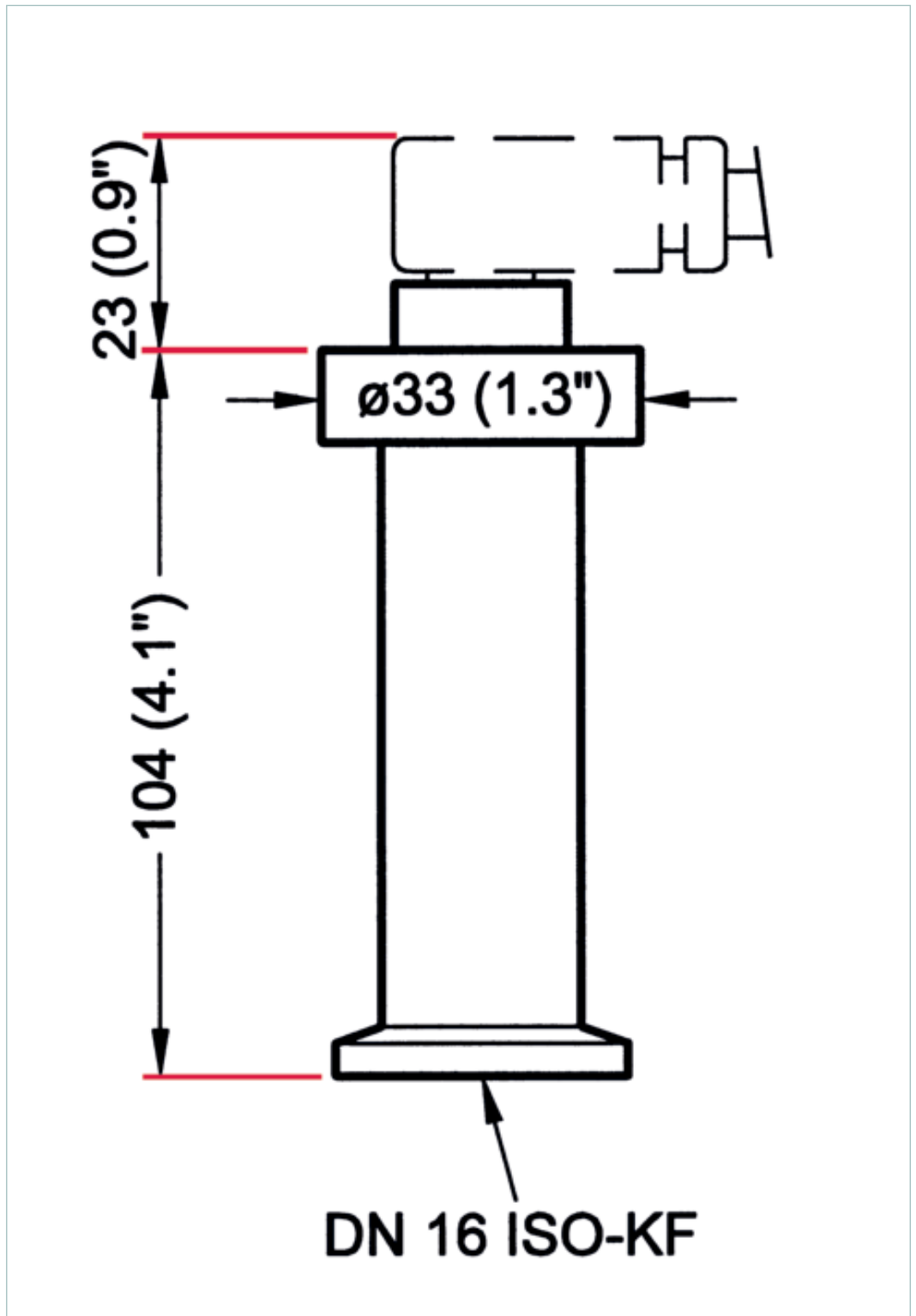


APR 265, G 1/4", 5500 hPa

APR 265, G 1/4", 5500 hPa

- Measurement range from 1 – 11000 hPa
- Corrosion resistant
- Maximum pressure applies to inert gases and temperatures of less than 55 °C

Dimensions



Similar Image

Technical Data	APR 265, G ¼", 5500 hPa
Bakeout temperature	80 °C
Full scale	5,000 hPa 3,750 Torr 5,000 mbar
Linearity and hysteresis (Full Scale)	≤ 0.5 %
Material	Stainless Steel
Measurement cable length	50 m
Measuring range	5 · 10 ⁻¹ – 5.5 · 10 ³ hPa
Nominal diameter	G ¼"
Output signal: Measuring range	1 – 9.8 V
Output signal: Minimum load	10 kΩ
Precision (Full Scale)	2 %
Pressure max.	7,500 hPa 5,625 Torr 7,500 mbar
Protection degree	IP65
Stability of sensitivity (year)	≤ 0.2 %
Supply: consumption max.	0.2 W
Supply: Voltage V DC	13 – 30 V DC
Temperature: operating	10-80 °C 50-176 °F 283-353 K
Temperature: Storage	-40-80 °C -40-176 °F 233-353 K
Thermal sensitivity drift	0.5 %
Thermal zero point drift (Full Scale)	≤ 0.5 %
Volume	0.5 cm ³
Weight	120 g
Zero point stability (Full Scale Year)	0.5 %

Order number	
APR 265	P 5215 126 TF

Accessories	
Adapters (electrical) Adapter Measurement	
Mating connector	B4707283MA
Cables Measurement cables	
Measurement cable, 3 m	PT 448 250 -T

VACUUM SOLUTIONS FROM A SINGLE SOURCE

Pfeiffer Vacuum stands for innovative and custom vacuum solutions worldwide, technological perfection, competent advice and reliable service.

COMPLETE RANGE OF PRODUCTS

From a single component to complex systems:

We are the only supplier of vacuum technology that provides a complete product portfolio.

COMPETENCE IN THEORY AND PRACTICE

Benefit from our know-how and our portfolio of training opportunities!

We support you with your plant layout and provide first-class on-site service worldwide.

Are you looking for a
perfect vacuum solution?
Please contact us:

Pfeiffer Vacuum GmbH
Headquarters · Germany
T +49 6441 802-0
info@pfeiffer-vacuum.de

www.pfeiffer-vacuum.com

All data subject to change without prior notice.

PFEIFFER  **VACUUM**