

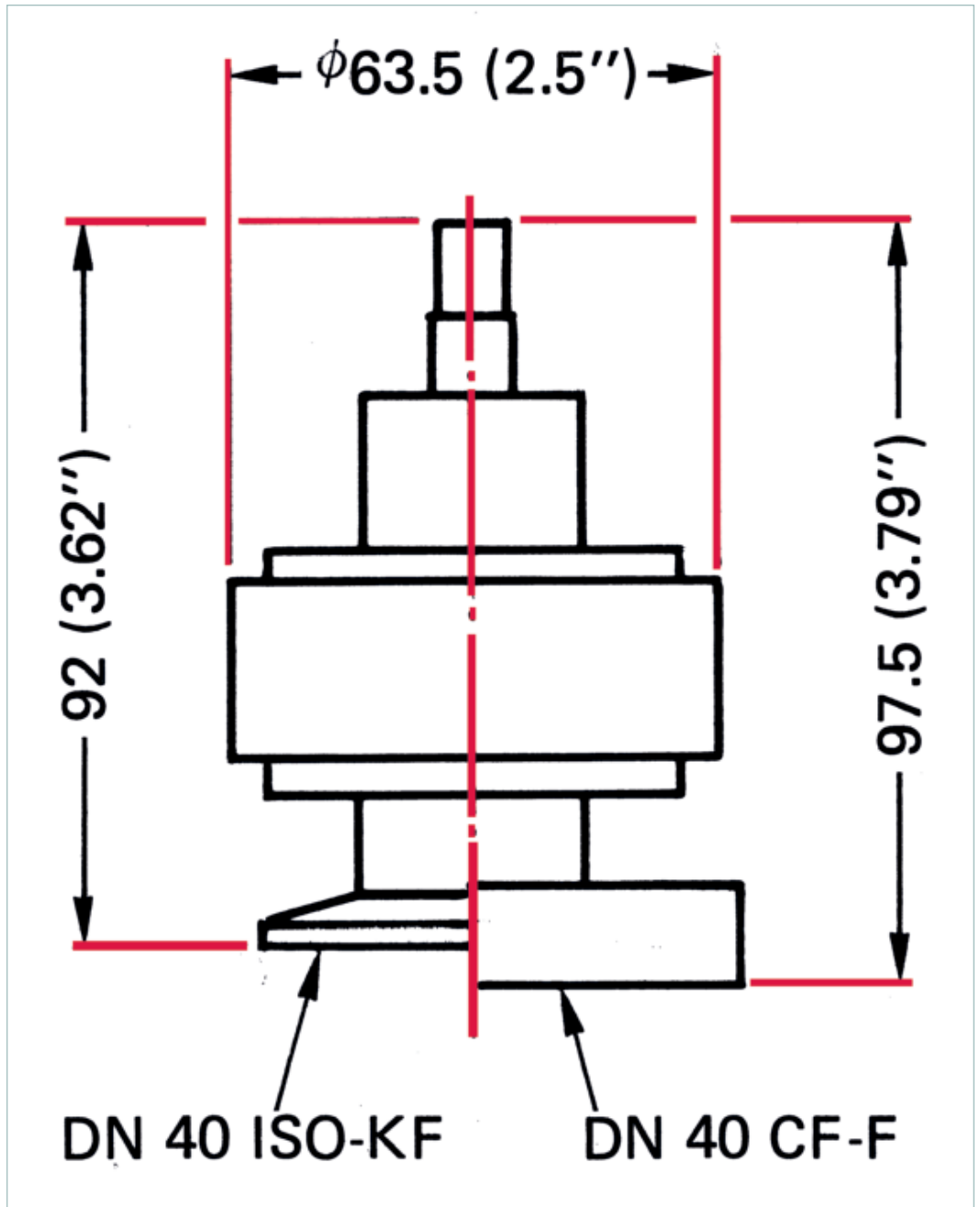


Cold cathode gauge head IKR 060, coaxial, metal seal, DN 40 CF-F

Cold cathode gauge head IKR 060, coaxial, metal seal, DN 40 CF-F

- Flange size: DN 40 CF-F
- For UHV
- Radiation-resistant

Dimensions



Technical Data

Ambient temperature

Cold cathode gauge head IKR 060, coaxial, metal seal, DN 40 CF-F

5-250 °C | 41-482 °F | 278-523 K

Technical Data		Cold cathode gauge head IKR 060, coaxial, metal seal, DN 40 CF-F
Attribute	Metal sealed	
Bakeout temperature	Max. 250 °C Max. 482 °F Max. 523 K	
Flange, material	Stainless steel	
Insulator	Al ₂ O ₃	
Measuring range	1 · 10 ⁻¹⁰ – 5 · 10 ⁻³ hPa	
Nominal diameter	DN 40 CF-F	
Radiation resistance	1 · 10 ⁴ Gy	
Seal	Silver	
Weight	850 g	

Order number	
IKR 060, coaxial	PT R18 751

Accessories	
Cables Measurement cables	
High-temperature measurement cable, IKR 050/060, 10 m, 250 °C	PT 448 045 -T
High-temperature measurement cable, IKR 050/060, 20 m, 250 °C	PT 448 046 -T
Measurement cable, IKR 050/060, 3.0 m, 80 °C	PT 548 406 -T
Measurement cable, IKR 050/060, 6.0 m, 80 °C	PT 548 407 -T
Measurement cable, IKR 050/060, 10 m, 80 °C	PT 548 419 -T
Measurement cable, IKR 050/060, 30 m, 80 °C	PT 548 422 -T
Measurement cable, IKR 050/060, 15 m, 80 °C	PT 548 483 -T
Measurement cable, IKR 050/060, 20 m, 80 °C	PT 548 484 -T
Measurement cable, IKR 050/060, 25 m, 80 °C	PT 548 485 -T
Measurement cable, IKR 050/060, 35 m, 80 °C	PT 548 486 -T
Measurement cable, IKR 050/060, 40 m, 80 °C	PT 548 487 -T
Measurement cable, IKR 050/060, 45 m, 80 °C	PT 548 488 -T
Measurement cable, IKR 050/060, 50 m, 80 °C	PT 548 489 -T
High-temperature measurement cable, IKR 050/060, 3.0 m, 250 °C	PT 548 542 -T
High-temperature measurement cable, IKR 050/060, 6.0 m, 250 °C	PT 548 543 -T
High-temperature measurement cable, IKR 050/060, 15 m, 250 °C	PT 548 989 -T

VACUUM SOLUTIONS FROM A SINGLE SOURCE

Pfeiffer Vacuum stands for innovative and custom vacuum solutions worldwide, technological perfection, competent advice and reliable service.

COMPLETE RANGE OF PRODUCTS

From a single component to complex systems:

We are the only supplier of vacuum technology that provides a complete product portfolio.

COMPETENCE IN THEORY AND PRACTICE

Benefit from our know-how and our portfolio of training opportunities!

We support you with your plant layout and provide first-class on-site service worldwide.

Are you looking for a
perfect vacuum solution?
Please contact us:

Pfeiffer Vacuum GmbH
Headquarters · Germany
T +49 6441 802-0
info@pfeiffer-vacuum.de

www.pfeiffer-vacuum.com

All data subject to change without prior notice.

PFEIFFER  **VACUUM**