



SAS 25 S, DN 25 ISO-KF, polyester filter

The dust separator prevents larger dust quantities entering into the rotary vane pump

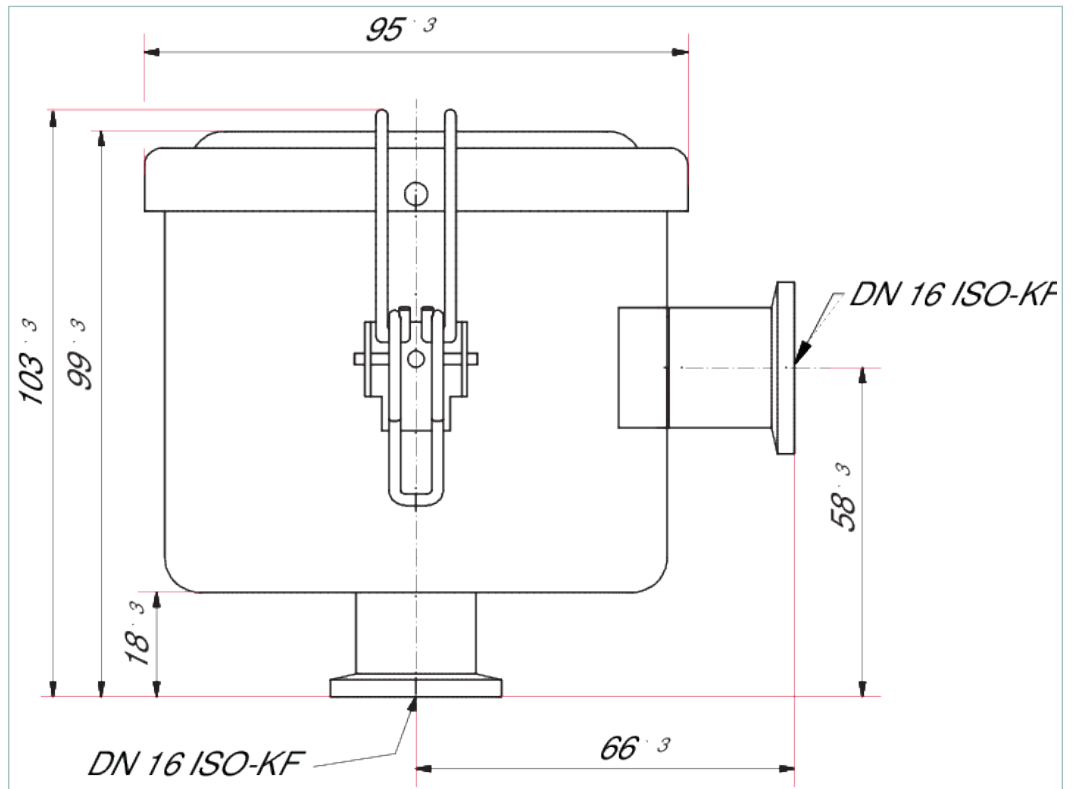


Similar Image

SAS 25 S, DN 25 ISO-KF, polyester filter

- For inlet flange
- Protects the pump against particles from the processes
- Customer benefit: Longer service life of mechanical parts

Dimensions



Technical Data	SAS 25 S, DN 25 ISO-KF, polyester filter
Leak rate	$\leq 1 \cdot 10^{-5} \text{ Pa m}^3/\text{s}$ $\leq 7.5 \cdot 10^{-5} \text{ Torr l/s}$ $\leq 1 \cdot 10^{-4} \text{ mbar l/s}$
Connection flange (in)	DN 25 ISO-KF
Connection flange (out)	DN 25 ISO-KF
Ambient temperature	-26-104 °C -14.8-219.2 °F 247-377 K
Weight	0.6 kg 1.32 lb

Order number	
SAS 25 S	PK Z60 507

VACUUM SOLUTIONS FROM A SINGLE SOURCE

Pfeiffer Vacuum stands for innovative and custom vacuum solutions worldwide, technological perfection, competent advice and reliable service.

COMPLETE RANGE OF PRODUCTS

From a single component to complex systems:

We are the only supplier of vacuum technology that provides a complete product portfolio.

COMPETENCE IN THEORY AND PRACTICE

Benefit from our know-how and our portfolio of training opportunities!

We support you with your plant layout and provide first-class on-site service worldwide.

Are you looking for a
perfect vacuum solution?
Please contact us:

Pfeiffer Vacuum GmbH
Headquarters · Germany
T +49 6441 802-0
info@pfeiffer-vacuum.de

www.pfeiffer-vacuum.com

All data subject to change without prior notice.

PFEIFFER  **VACUUM**