



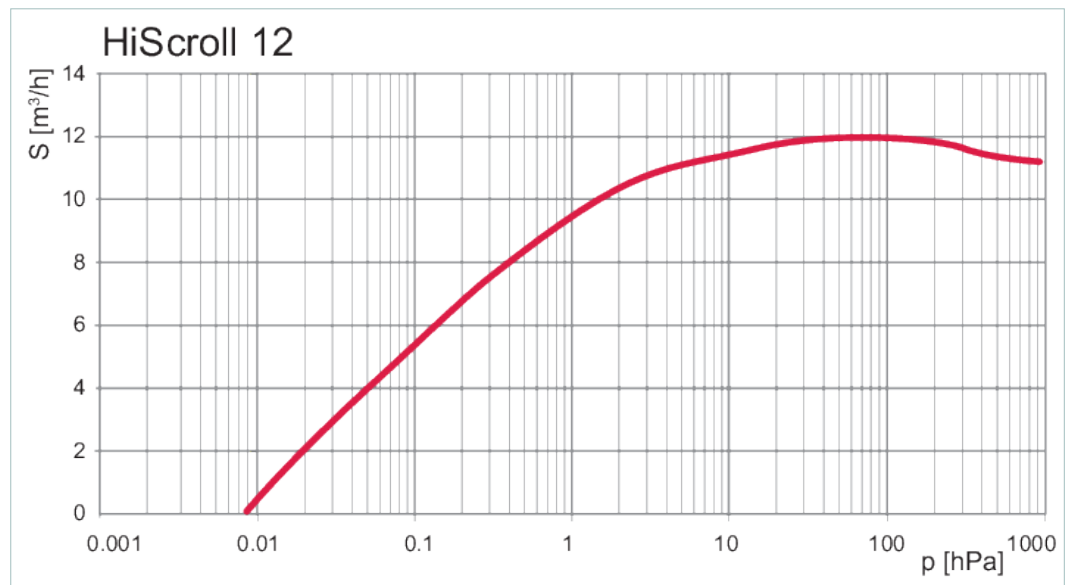
# HiScroll 12, Scroll Pump, Standard, incl. pressure sensor



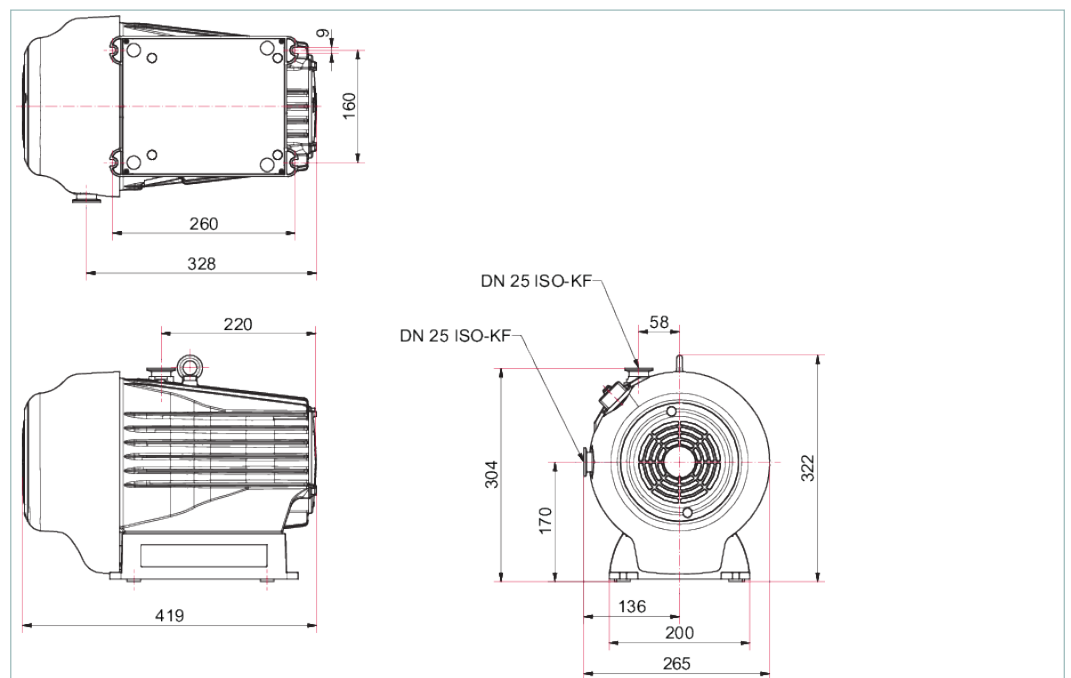
Similar Image

## HiScroll 12, Scroll Pump, Standard, incl. pressure sensor

- No hydrocarbons: Completely dry & oil-free Scroll vacuum pump
- Low noise level, minimal vibrations and compact design, ideal also for use in laboratories
- Safe operation due to the installed non-return valve and hermetically sealed pumping system
- Low operating costs thanks to the highest quality, short maintenance times and long maintenance intervals
- Power as required: Stable pumping speed and short cycle times
- Sustainable: 15% higher efficiency of the drive system, reduced heat generation and minimum cooling requirements
- Industry 4.0 compatible: Operation with other intelligent products, such as turbopumps via RS-485
- Simple logistics: Our HiScroll pumps are suitable for all voltages worldwide



### Dimensions



Technical Data	HiScroll 12, Scroll Pump, Standard, incl. pressure sensor
Pumping speed	12.1 m <sup>3</sup> /h   7.12 cfm   201.67 l/min
Final pressure without gas ballast	9 · 10 <sup>-3</sup> hPa   6.75 · 10 <sup>-3</sup> Torr   9 · 10 <sup>-3</sup> mbar
Gas ballast flow stage 1	18 l/min
Gas ballast flow stage 2	30 l/min
Leak rate	5 · 10 <sup>-7</sup> Pa m <sup>3</sup> /s   3.75 · 10 <sup>-6</sup> Torr l/s   5 · 10 <sup>-6</sup> mbar l/s
Intake pressure max.	1,100 hPa   825 Torr   1,100 mbar
Exhaust pressure, max.	1,500 hPa   1,125 Torr   1,500 mbar
Connection flange (in)	DN 25 ISO-KF
Connection flange (out)	DN 25 ISO-KF
I/O interfaces	RS-485
Mains connection	100 — 127 / 200 — 240 V AC (±10 %), 50/60 Hz
Rated current consumption	100 V – 127 V: 8 A   200 V – 240 V: 4 A
Rotation speed	624-1,560 rpm   624-1,560 min <sup>-1</sup>
Protection category	IP20
Switch	Yes
Ambient temperature	5-40 °C   41-104 °F   278-313 K
Temperature: Storage	-10-50 °C   14-122 °F   263-323 K
Cooling method, standard	Air, forced convection
Emission sound pressure level (EN ISO 2151)	47 dB(A)
Weight	24 kg   52.91 lb
Gas ballast	Yes
Operating altitude, max.	2500 m

Order number	
HiScroll 12	PD S20 010

Accessories	
<b>Adapters (electrical) RS-232/485</b>	
Y-distributor M12 to RS-485	P 4723 010
USB RS-485 converter	PM 061 207 -T
<b>Cables Connection cables</b>	
Adapter RS485 M12	PE 100 150 -X
<b>Cables Mains cables / Power cords</b>	
Mains cable 230 V AC, CEE 7/7 to C13, 3 m	P 4564 309 ZA
Mains cable 115 V AC, NEMA 5-15 to C13, 3 m	P 4564 309 ZL
<b>Cables RS-485 Interface cables</b>	
Interface cable, M12 m straight/M12 m straight, 3 m	PM 061 283 -T
<b>Caps/Clamps Screw-on Caps</b>	
Screw cap for gas ballast valve	PD 100 067
<b>Control Devices Power supplies and control displays</b>	
HPU 001, Handheld Programming Unit	PM 051 510 -T
DCU 002, Display Control Unit	PM 061 348 AT
<b>Flanges/Ports Blank flanges</b>	
Push-in fitting G 1/8" including seal for hose connection (8/6 mm)	P 4131 029 G
<b>Protection Dust separators/Inlet particle filters</b>	
SAS 25 S, DN 25 ISO-KF, polyester filter	PK Z60 507

## **VACUUM SOLUTIONS FROM A SINGLE SOURCE**

Pfeiffer Vacuum stands for innovative and custom vacuum solutions worldwide, technological perfection, competent advice and reliable service.

## **COMPLETE RANGE OF PRODUCTS**

From a single component to complex systems:

We are the only supplier of vacuum technology that provides a complete product portfolio.

## **COMPETENCE IN THEORY AND PRACTICE**

Benefit from our know-how and our portfolio of training opportunities!

We support you with your plant layout and provide first-class on-site service worldwide.

Are you looking for a  
perfect vacuum solution?  
Please contact us:

**Pfeiffer Vacuum GmbH**  
Headquarters · Germany  
T +49 6441 802-0  
info@pfeiffer-vacuum.de

[www.pfeiffer-vacuum.com](http://www.pfeiffer-vacuum.com)

All data subject to change without prior notice.

**PFEIFFER**  **VACUUM**