



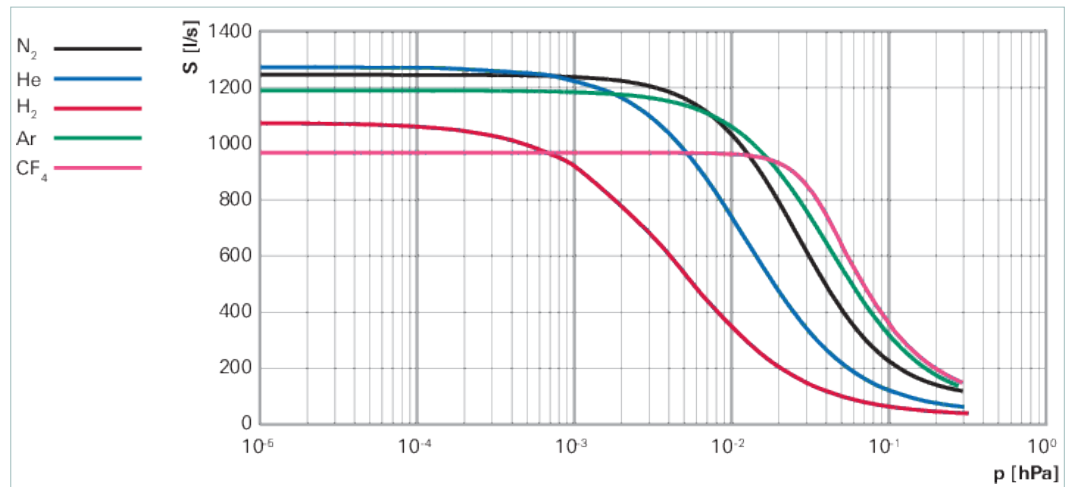
HiPace[®] 1200 with TC 1200, DN 200 ISO-F



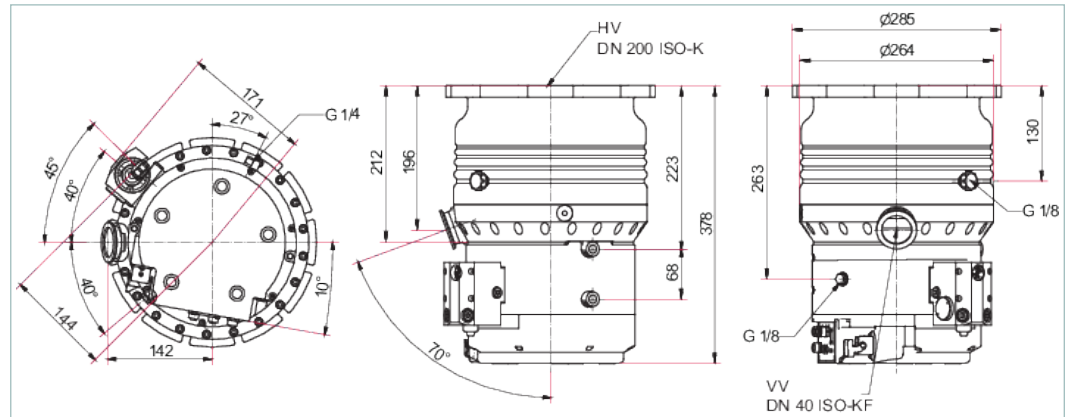
Similar Image

HiPace® 1200 with TC 1200, DN 200 ISO-F

- Powerful turbopump with a pumping speed of up to 1250 l/s for N₂
- DN 200 ISO-F flange
- Integrated TC 1200 drive electronics with power supply
- Cooling: Water cooling
- Installation orientation: Standard (0° to 90°)
- Integrated sealing gas system with electric sealing gas valve 24 V DC
- Protection Class: IP54
- Interfaces: RS-485, Remote (Profibus/DeviceNet on request)
- Extensive accessories expand the range of applications



Dimensions



Technical Data	HiPace® 1200 with TC 1200, DN 200 ISO-F
Bearing	Hybrid
Certification	Semi S2 compatible UL CSA TÜV
Compression ratio for Ar	$1 \cdot 10^8$
Compression ratio for CF ₄	$1 \cdot 10^8$
Compression ratio for H ₂	$6 \cdot 10^3$
Compression ratio for He	$2 \cdot 10^4$
Compression ratio for N ₂	$1 \cdot 10^8$
Connection flange (in)	DN 200 ISO-F

Technical Data	HiPace® 1200 with TC 1200, DN 200 ISO-F
Connection flange (out)	DN 40 ISO-KF
Cooling method	Water
Cooling water connection	G 1/4"
Cooling water flow	100 l/h
Cooling water flow, max.	100 l/h
Cooling water flow, min.	100 l/h
Cooling water temperature	15-35 °C 59-95 °F 288-308 K
Current, max.	10 A
Electronic drive unit	TC 1200
Final pressure according to PNEUROP	1 · 10 ⁻⁷ hPa 7.5 · 10 ⁻⁸ Torr 1 · 10 ⁻⁷ mbar
Final pressure without gas ballast	1 · 10 ⁻⁷ hPa 7.5 · 10 ⁻⁸ Torr 1 · 10 ⁻⁷ mbar
For electronic drive unit	TC 1200
Fore-vacuum max. for N ₂	2 hPa 1.5 Torr 2 mbar
Gas throughput at 0.1 hPa HV pressure for Ar	26 hPa·l/s
Gas throughput at 0.1 hPa HV pressure for CF ₄	30 hPa·l/s
Gas throughput at 0.1 hPa HV pressure for H ₂	8 hPa·l/s
Gas throughput at 0.1 hPa HV pressure for He	15 hPa·l/s
Gas throughput at 0.1 hPa HV pressure for N ₂	26 hPa·l/s
Gas throughput at final rotation speed for Ar	11 hPa·l/s
Gas throughput at final rotation speed for H ₂	> 30 hPa·l/s
Gas throughput at final rotation speed for He	> 30 hPa·l/s
Gas throughput at final rotation speed for N ₂	20 hPa·l/s
Gas throughput at maximum rotation speed for CF ₄	12 hPa·l/s
I/O interfaces	RS-485, Remote
Mounting orientation	0° (HV flange top) – 90°
Operating voltage: 50/60 Hz	100 – 120 / 200 – 240, 50/60 Hz V AC
Permissible radial magnetic field max.	6 mT
Power consumption max.	1350 VA
Protection degree	IP54
Pumping speed for Ar	1200 l/s
Pumping speed for CF ₄	950 l/s
Pumping speed for H ₂	1100 l/s
Pumping speed for He	1300 l/s
Pumping speed for N ₂	1250 l/s
Rotation speed ± 2 %	37,800 rpm 37,800 min ⁻¹
Rotation speed variable	50 – 100 %
Run-up time	2.5 min
Sound pressure level	50 dB(A)
Venting connection	G 1/8"
Weight	30.5 kg 67.24 lb

Order number	
HiPace® 1200	PM P06 001

Accessories	
Adapters (electrical) PV-Can	
TIC 010, adapter for two sensors	PT R70 000
Adapters (electrical) Remote	
Y-Connector, shielded, M12 for accessories	P 4723 013
Adapters (electrical) RS-232/485	
Power separator for RS-485	PT 348 132 -T
Terminal resistor for RS-485	PT 348 105 -T
Coupling M12 for RS-485	PM 061 270 -X
USB RS-485 converter	PM 061 207 -T
Y-connector M12 for RS-485	P 4723 010
Cables Backing pump control cables	
HiPace – ACP connection cable	PM 071 142 -X
Control cable for pumping stations 0.7 m	PM 061 675 AT
Cables Mains cables / Power cords	
Mains cable 115 V AC, NEMA 5-15 to HAN 3A, 3 m	PM 061 187 -X
Mains cable 208 V AC, NEMA 6-15 to HAN 3A, 3 m	P 4564 309 HB
Mains cable 230 V AC, CEE 7/7 to HAN 3A, 3 m	P 4564 309 HA
Cables RS-485 Interface cables	
Interface cable, M12 m straight / M12 m straight, 3 m	PM 061 283 -T
Control Devices Backing pump	
Relay box, shielded, for backing pumps, 1-phase 20 A for TC 400/1200, TM 700 and TCP 350, M12	PM 071 285 -X
Relay box, shielded, for backing pumps, 1-phase 7 A for TC 400/1200, TM 700 and TCP 350, M12	PM 071 284 -X
Control Devices Power supplies and control displays	
Accessories package for HPU 001/PC	PM 061 005 -T
OmniControl 001, rack unit without integrated power supply pack	PE D42 100 0
OmniControl 001 Mobile, control units	PE D22 000 0
Monitoring Pressure Sensors	
IKT 011, digital cold cathode sensor, high current	PT R73 100
IKT 010, digital cold cathode sensor, low current	PT R72 100
RPT 010, digital Piezo/Pirani sensor	PT R71 100
Monitoring Sealing gas monitoring units	
Sealing gas monitoring unit G 1/8"	PM 016 911 -U
Mounting DN ISO-F, Mounting kits	
Mounting kit for DN 200 ISO-F, including coated centering ring, protective screen, stud screws	PM 016 477 -T
Mounting kit for DN 200 ISO-F, including coated centering ring, splinter shield, stud screws	PM 016 476 -T
Mounting kit for DN 200 ISO-F, including coated centering ring, stud screws	PM 016 475 -T
Mounting kit for DN 200 ISO-F, including coated centering ring, protective screen, hexagon screws	PM 016 472 -T
Mounting kit for DN 200 ISO-F, including coated centering ring, splinter shield, hexagon screws	PM 016 471 -T
Mounting kit for HiPace DN 200 ISO-F, including coated centering ring, hexagon screws	PM 016 470 -T
Mounting DN ISO-K/-F, sealings	
Centering ring with multifunction coating, DN 200 ISO-K/-F	PM 016 220 AU

Accessories	
Protection DN ISO-K/F, sealings, splinter shields, protection screens	
Centering ring with multifunction coating and integrated protection screen, DN 200 ISO-K/F	PM 016 222 AU
Centering ring with multifunction coating and integrated splinter shield, DN 200 ISO-K/F	PM 016 221 AU
Protection Sealing gas throttles	
Sealing gas throttle for HiPace 1200–2300, 52.5 ± 7.5 sccm	PM Z01 325
Sealing gas throttle for HiPace 1200–2300	PM Z01 319
Sealing gas throttle for HiPace 400/700/800 P version and HiPace 1200–2300	PM Z01 318
Stainless steel and FKM	
Connection kit for mounting pumps, DN 40 ISO-KF	120SWS040-1000
Valves Fore-vacuum safety valves	
TVV 001, fore-vacuum safety valve, 115 V AC	PM Z01 206
TVV 001, fore-vacuum safety valve, 230 V AC	PM Z01 205
Valves Sealing gas valves, shielded (normally closed)	
Sealing gas valve, shielded for HiPace 400/700/800 P Version with TC 400 and HiPace 1200–2300 with TC 1200	PM Z01 313
Venting Venting accessories	
TTV 001, Drier for venting turbopumps	PM Z00 121
Venting Venting valves (normally closed)	
Venting valve, shielded, 24 V DC, G 1/8", for connection to TC 400/1200 and TM 700	PM Z01 291
Vibration Reduction Vibration dampers	
Vibration damper for HiPace 800/1200/1800, DN 200 ISO-K/F	PM 006 668 -X

VACUUM SOLUTIONS FROM A SINGLE SOURCE

Pfeiffer Vacuum stands for innovative and custom vacuum solutions worldwide, technological perfection, competent advice and reliable service.

COMPLETE RANGE OF PRODUCTS

From a single component to complex systems:

We are the only supplier of vacuum technology that provides a complete product portfolio.

COMPETENCE IN THEORY AND PRACTICE

Benefit from our know-how and our portfolio of training opportunities!

We support you with your plant layout and provide first-class on-site service worldwide.

Are you looking for a
perfect vacuum solution?
Please contact us:

Pfeiffer Vacuum GmbH
Headquarters · Germany
T +49 6441 802-0
info@pfeiffer-vacuum.de

www.pfeiffer-vacuum.com

All data subject to change without prior notice.

PFEIFFER  **VACUUM**