



ATH 3204 M, DN 320 ISO-F, Water-Cooled, Non-Heated, with Integrated Drive Electronics

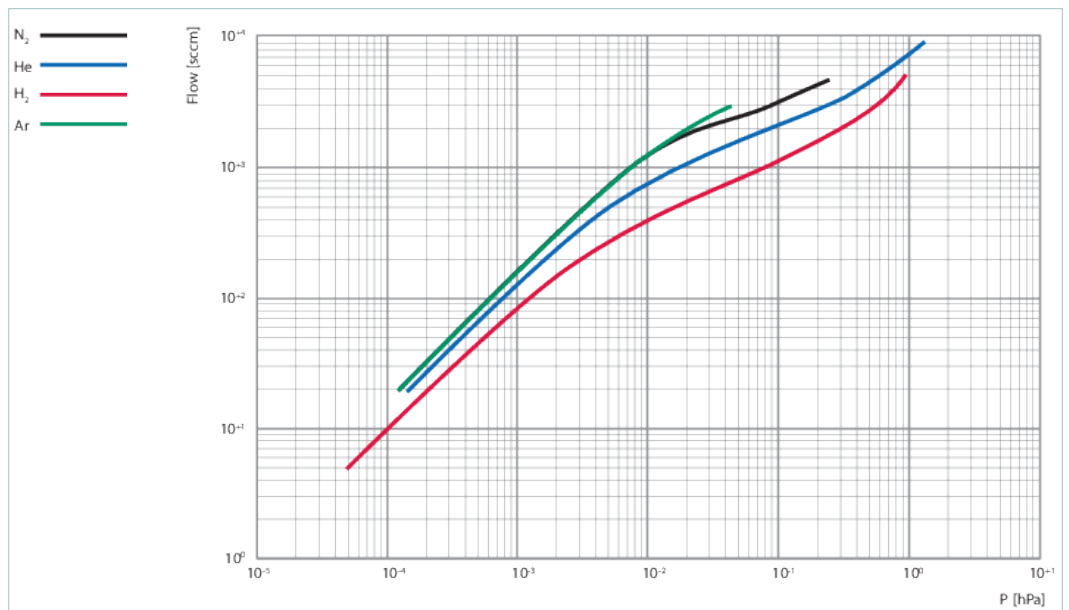
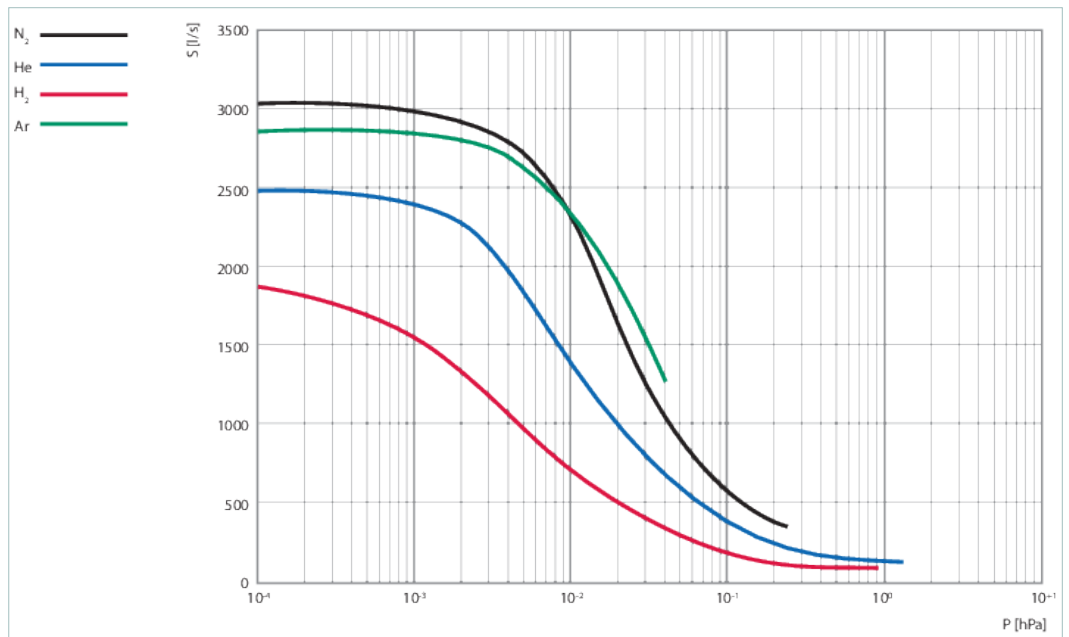
ATH 3204 M, DN 320 ISO-F, Water cooled, Non-heated, integrated
drive electronic



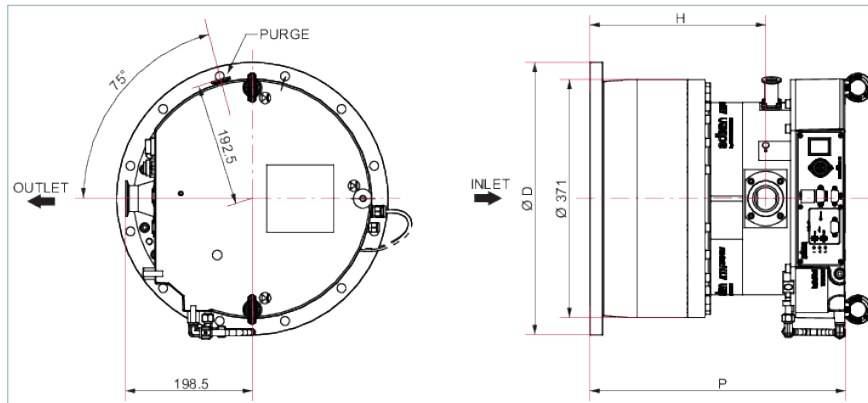
Similar Image

ATH 3204 M, DN 320 ISO-F, Water-Cooled, Non-Heated, with Integrated Drive Electronics

- 5-axis magnetically levitated turbopump with drag stage for a pump speed of up to 3050 l/s for N₂
- DN 320 ISO-F inlet flange
- Compact integrated drive electronics
- Installation in any orientation
- Remote, Water cooled, Non-heated, pump integrated drive electronics
- CE marked and ROHS compliant



Dimensions



D	425 mm
H	275 mm
P	400 mm

Technical Data

ATH 3204 M, DN 320 ISO-F, Water-Cooled, Non-Heated, with Integrated Drive Electronics

Bakeout temperature max.	90 °C 194 °F 363 K
Bearing	Magnetically
Compression ratio for Ar	$> 1 \cdot 10^9$
Compression ratio for H ₂	$4.9 \cdot 10^3$
Compression ratio for He	$9 \cdot 10^4$
Compression ratio for N ₂	$> 1 \cdot 10^9$
Connection flange (in)	DN 320 ISO-F
Connection flange (out)	DN 40/50 ISO-KF
Cooling method	Water
Cooling method, standard	Water
Cooling water flow	60 l/h
Cooling water flow, max.	60 l/h
Cooling water flow, min.	60 l/h
Cooling water temperature	15-40 °C 59-104 °F 288-313 K
Electronic drive unit	integrated drive electronics
Final pressure without gas ballast	$< 1 \cdot 10^{-8}$ hPa $< 7.5 \cdot 10^{-9}$ Torr $< 1 \cdot 10^{-8}$ mbar
Fore-vacuum max. for Ar	4.4 hPa 3.3 Torr 4.4 mbar
Fore-vacuum max. for N ₂	3.4 hPa 2.55 Torr 3.4 mbar
Gas throughput for Ar	42.2 hPa·l/s
Gas throughput for H ₂	84.5 hPa·l/s
Gas throughput for He	84.5 hPa·l/s
Gas throughput for N ₂	84.5 hPa·l/s
I/O interfaces	Remote
Motor version	1-ph motor
Mounting orientation	Any
N ₂ sealing gas flow	0.05 slpm (0 °C)
Power consumption at ultimate pressure	160 W
Power consumption max.	1200 W
Protection category	IP54
Pumping speed for Ar	2900 l/s
Pumping speed for H ₂	1700 l/s
Pumping speed for He	2500 l/s
Pumping speed for N ₂	3050 l/s
Rotation speed	$\geq 25,000$ rpm $\geq 25,000$ min ⁻¹
Rotation speed at stand-by	15,000-25,000 rpm 15,000-25,000 min ⁻¹
Run-up time	< 8 min
Separate electronic drive unit	NO
Sound pressure level	< 45 dB(A)

Technical Data		ATH 3204 M, DN 320 ISO-F, Water-Cooled, Non-Heated, with Integrated Drive Electronics
Typical vibration displacement (at inlet flange 10-1000 Hz)		0.01 µm
Ultimate pressure		< 1 · 10 ⁻⁸ hPa < 7.5 · 10 ⁻⁹ Torr < 1 · 10 ⁻⁸ mbar

Order number	
ATH 3204 M	TMAAAC64015A

Accessories	
Control Devices Power supplies and control displays	
Hand Held Remote (HHR) with cable	114461
Mounting Mounting kits for ATH-M <verteilen>	
Screw Set for ISO-F (for ATH 3204 M, DN 320) without Centering Ring	122531S
Protection Inlet screens	
Stainless inlet filter for DN 320 - M 8	112132

VACUUM SOLUTIONS FROM A SINGLE SOURCE

Pfeiffer Vacuum stands for innovative and custom vacuum solutions worldwide, technological perfection, competent advice and reliable service.

COMPLETE RANGE OF PRODUCTS

From a single component to complex systems:

We are the only supplier of vacuum technology that provides a complete product portfolio.

COMPETENCE IN THEORY AND PRACTICE

Benefit from our know-how and our portfolio of training opportunities!

We support you with your plant layout and provide first-class on-site service worldwide.

Are you looking for a
perfect vacuum solution?
Please contact us:

Pfeiffer Vacuum GmbH
Headquarters · Germany
T +49 6441 802-0
info@pfeiffer-vacuum.de

www.pfeiffer-vacuum.com

All data subject to change without prior notice.

PFEIFFER  **VACUUM**