



ATH 2804 M, DN 250 ISO-F, Water-Cooled, Non-Heated, with Integrated Drive Electronics

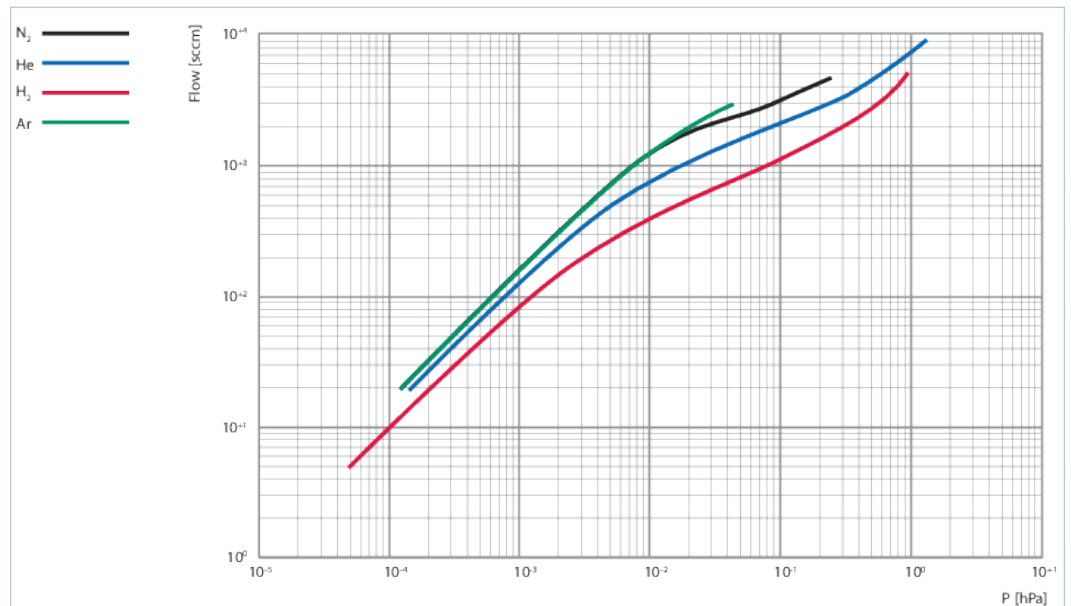
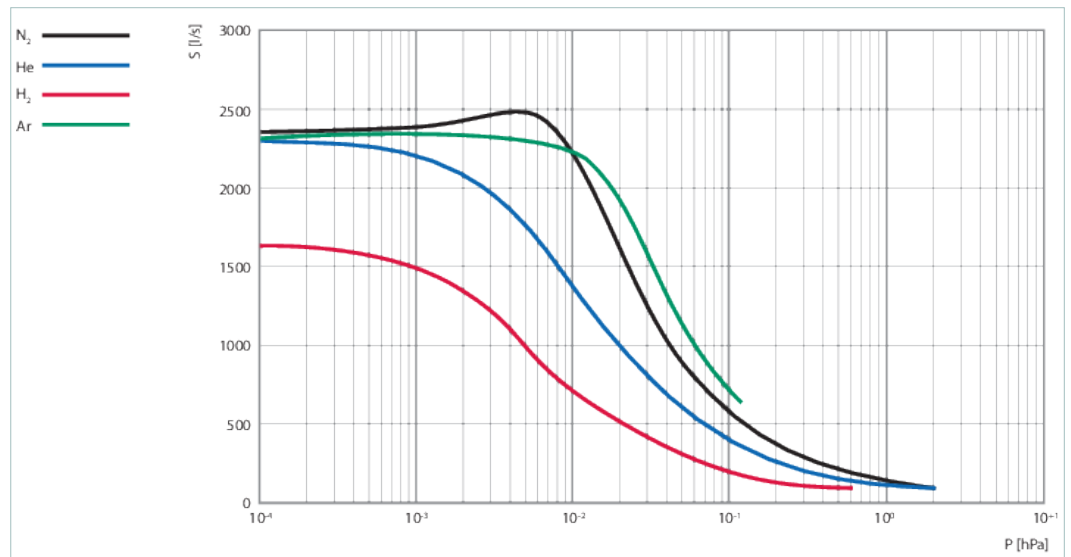
ATH 2804 M, DN 250 ISO-F, Water cooled, Non-heated, integrated
drive electronic



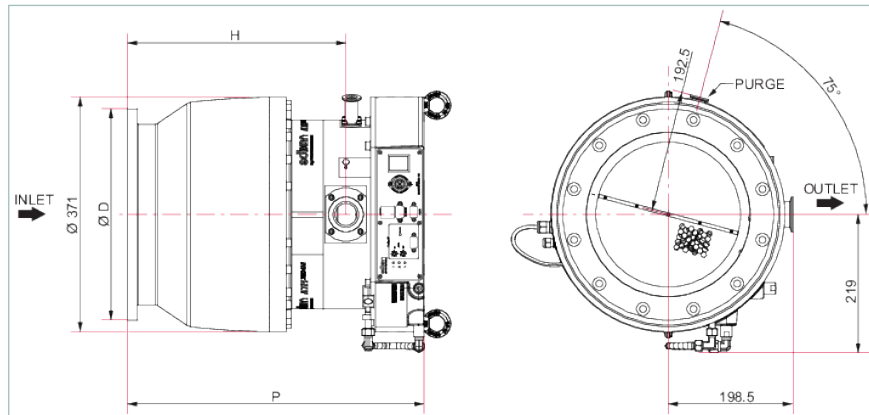
Similar Image

ATH 2804 M, DN 250 ISO-F, Water-Cooled, Non-Heated, with Integrated Drive Electronics

- 5-axis magnetically levitated turbopump with drag stage for a pump speed of up to 2350 l/s for N₂
- DN 250 ISO-F inlet flange
- Integrated drive electronics
- Installation in any orientation
- Remote, Water cooled, Non-heated, pump integrated drive electronics
- CE marked and ROHS compliant



Dimensions



D	335 mm
H	347 mm
P	471 mm

Technical Data

ATH 2804 M, DN 250 ISO-F, Water-Cooled, Non-Heated, with Integrated Drive Electronics

Bakeout temperature max.	90 °C 194 °F 363 K
Bearing	Magnetically
Compression ratio for Ar	$> 1 \cdot 10^9$
Compression ratio for H ₂	$4.9 \cdot 10^3$
Compression ratio for He	$9 \cdot 10^4$
Compression ratio for N ₂	$> 1 \cdot 10^9$
Connection flange (in)	DN 250 ISO-F
Connection flange (out)	DN 40/50 ISO-KF
Cooling method	Water
Cooling method, standard	Water
Cooling water flow	60 l/h
Cooling water flow, max.	60 l/h
Cooling water flow, min.	60 l/h
Cooling water temperature	15-40 °C 59-104 °F 288-313 K
Electronic drive unit	integrated drive electronics
Final pressure without gas ballast	$< 1 \cdot 10^{-8}$ hPa $< 7.5 \cdot 10^{-9}$ Torr $< 1 \cdot 10^{-8}$ mbar
Fore-vacuum max. for Ar	4.4 hPa 3.3 Torr 4.4 mbar
Fore-vacuum max. for N ₂	3.4 hPa 2.55 Torr 3.4 mbar
Gas throughput for Ar	42.2 hPa·l/s
Gas throughput for H ₂	84.5 hPa·l/s
Gas throughput for He	84.5 hPa·l/s
Gas throughput for N ₂	84.5 hPa·l/s
I/O interfaces	Remote
Motor version	1-ph motor
Mounting orientation	Any
N ₂ sealing gas flow	0.05 slpm (0 °C)
Power consumption at ultimate pressure	160 W
Power consumption max.	1200 W
Protection category	IP54
Pumping speed for Ar	2350 l/s
Pumping speed for H ₂	1650 l/s
Pumping speed for He	2300 l/s
Pumping speed for N ₂	2350 l/s
Rotation speed	$\geq 25,000$ rpm $\geq 25,000$ min ⁻¹
Rotation speed at stand-by	15,000-25,000 rpm 15,000-25,000 min ⁻¹
Run-up time	< 8 min
Separate electronic drive unit	NO
Sound pressure level	<45 dB(A)

Technical Data	ATH 2804 M, DN 250 ISO-F, Water-Cooled, Non-Heated, with Integrated Drive Electronics
Typical vibration displacement (at inlet flange 10-1000 Hz)	0.01 µm
Ultimate pressure	< 1 · 10 ⁻⁸ hPa < 7.5 · 10 ⁻⁹ Torr < 1 · 10 ⁻⁸ mbar

Order number	
ATH 2804 M	TMAAA664015A

Accessories	
Control Devices Power supplies and control displays	
Hand Held Remote (HHR) with cable	114461
Mounting Mounting kits for ATH-M <verteilen>	
Screw Set for ISO-F (for ATH 500 M, DN160 ATH 1600 M, DN 200/250 ATH 2300 M, ATH 2800 M, ATH 2804 M, DN 250) with Centering Ring	110676S
Protection Inlet screens	
Stainless inlet filter for DN 250 - M 8	121607
Aluminum inlet filter for DN 250	123537

VACUUM SOLUTIONS FROM A SINGLE SOURCE

Pfeiffer Vacuum stands for innovative and custom vacuum solutions worldwide, technological perfection, competent advice and reliable service.

COMPLETE RANGE OF PRODUCTS

From a single component to complex systems:

We are the only supplier of vacuum technology that provides a complete product portfolio.

COMPETENCE IN THEORY AND PRACTICE

Benefit from our know-how and our portfolio of training opportunities!

We support you with your plant layout and provide first-class on-site service worldwide.

Are you looking for a
perfect vacuum solution?
Please contact us:

Pfeiffer Vacuum GmbH
Headquarters · Germany
T +49 6441 802-0
info@pfeiffer-vacuum.de

www.pfeiffer-vacuum.com

All data subject to change without prior notice.

PFEIFFER  **VACUUM**