



ATH 1600 MT, DN 200 ISO-F, External Drive Electronics, Water-Cooled, Non-Heated

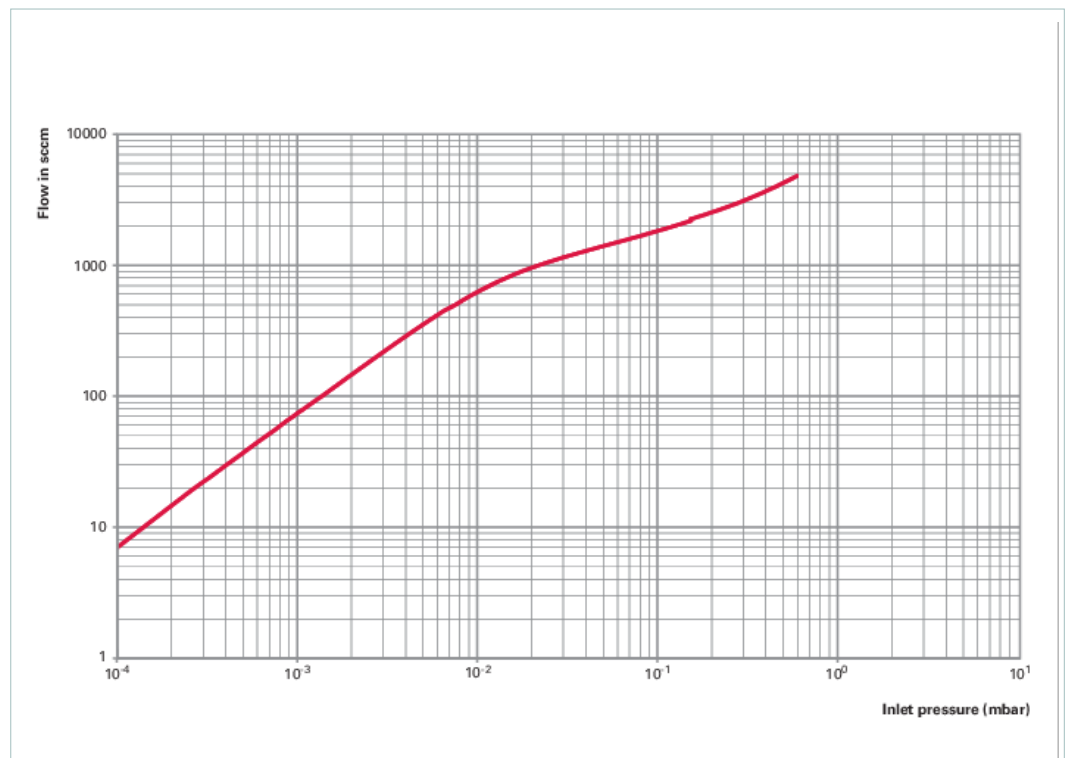
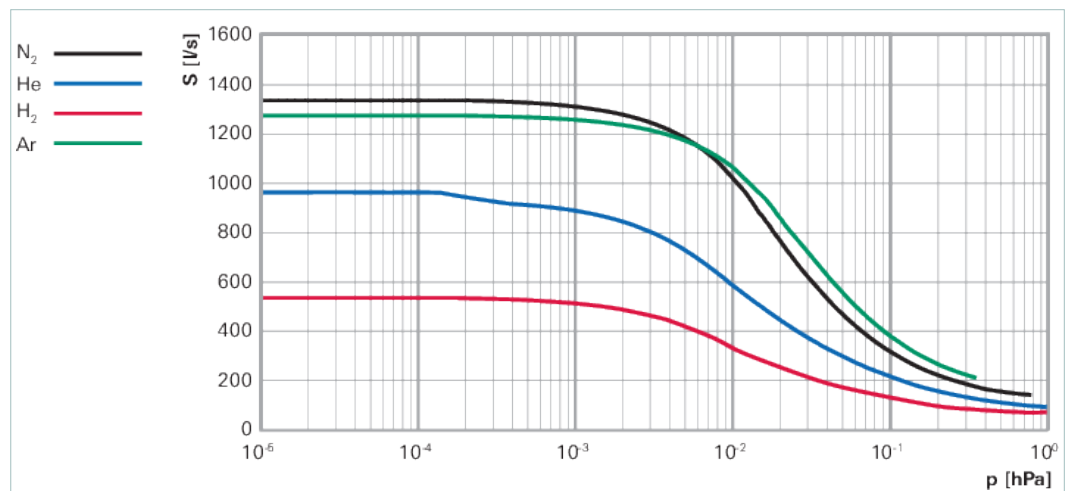
ATH 1600 MT, DN 200 CF-F, External drive electronics, Water cooled, Heated



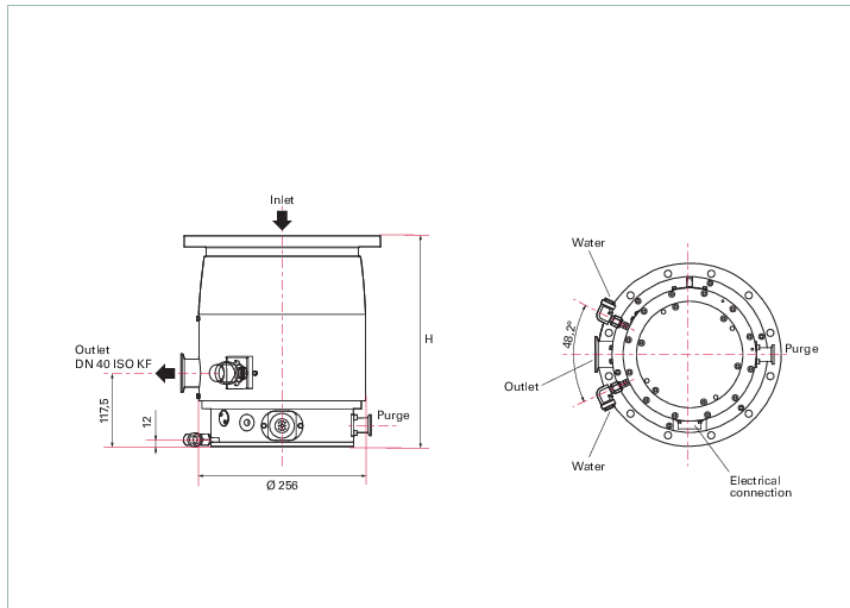
Similar Image

ATH 1600 MT, DN 200 ISO-F, External Drive Electronics, Water-Cooled, Non-Heated

- 5-axis magnetically levitated turbopump with drag stage for a pump speed of up to 1360 l/s for N₂
- DN 200 CF-F flange for demanding UHV applications
- Operation with Magpower external drive electronics
- Installation in any orientation
- Water cooled, Heated
- CE marked and ROHS compliant



Dimensions



H 343.4 mm

Technical Data	ATH 1600 MT, DN 200 ISO-F, External Drive Electronics, Water-Cooled, Non-Heated
Bearing	Magnetically
Compression ratio for Ar	$> 1 \cdot 10^8$
Compression ratio for H ₂	$> 5 \cdot 10^2$
Compression ratio for He	$> 4 \cdot 10^3$
Compression ratio for N ₂	$> 1 \cdot 10^8$
Connection flange (in)	DN 200 CF-F
Connection flange (out)	DN 40 ISO-KF
Cooling method	Water
Cooling method, standard	Water
Cooling water flow	60 l/h
Cooling water flow, max.	60 l/h
Cooling water flow, min.	60 l/h
Cooling water temperature	15-25 °C 59-77 °F 288-298 K
Corrosive gas version	Yes
Electronic drive unit	External drive electronics
Final pressure without gas ballast	$< 6 \cdot 10^{-9}$ hPa $< 4.5 \cdot 10^{-9}$ Torr $< 6 \cdot 10^{-9}$ mbar
Fore-vacuum max. for N ₂	2.2 hPa 1.65 Torr 2.2 mbar
Gas throughput at full rotational speed for Ar, heated pump at 75 °C	8.5 hPa·l/s
Gas throughput at full rotational speed for H ₂ , heated pump at 75 °C	> 16.9 hPa·l/s
Gas throughput at full rotational speed for N ₂ , heated pump at 75 °C	16.9 hPa·l/s
Gas throughput for Ar	20.3 hPa·l/s
Gas throughput for H ₂	> 67.6 hPa·l/s
Gas throughput for He	> 67.6 hPa·l/s
Gas throughput for N ₂	67.6 hPa·l/s
I/O interfaces	Via External drive electronics
Mounting orientation	Any
Operating voltage: 50/60 Hz	200 – 240 / 200 – 240, 50/60 Hz V AC
Particulate matter	YES
Power consumption at ultimate pressure	300 W
Power consumption max.	650 W
Pumping speed for Ar	1280 l/s

Technical Data	ATH 1600 MT, DN 200 ISO-F, External Drive Electronics, Water-Cooled, Non-Heated
Pumping speed for H ₂	540 l/s
Pumping speed for He	940 l/s
Pumping speed for N ₂	1360 l/s
Rotation speed ± 2 %	39,000 rpm 39,000 min ⁻¹
Run-up time	< 6 min
Separate electronic drive unit	YES
Sound pressure level	≤48 dB(A)
Ultimate pressure	< 6 · 10 ⁻⁹ hPa < 4.5 · 10 ⁻⁹ Torr < 6 · 10 ⁻⁹ mbar
Weight	34 kg 74.96 lb

Order number	
ATH 1600 MT	P6522103

Accessories	
Cables Connection cables	
Interconnecting cable (pump to Magpower external drive electronics), L = 1.0 m	A215300-010-C6-D
Interconnecting cable (pump to Magpower external drive electronics), L = 3.5 m	A215300-035-C6-D
Interconnecting cable (pump to Magpower external drive electronics), L = 5.0 m	A215300-050-C6-D
Interconnecting cable (pump to Magpower external drive electronics), L = 10.0 m	A215300-100-C6-D
Interconnecting cable (pump to Magpower external drive electronics), L = 20.0 m	A215300-200-C6-D
Cables Heater band cables and water valve cables	
Heater Band Cable (for MT Pumps Only), L = 1.0m	A460082-010
Heater Band Cable (for MT Pumps Only), L = 3.5m	A460082-035
Heater Band Cable (for MT Pumps Only), L = 5.0m	A460082-050
Heater Band Cable (for MT Pumps Only), L = 10.0m	A460082-100
Heater Band Cable (for MT Pumps Only), L = 20.0m	A460082-200
Water Valve Cable (for MT Pumps Only), L = 1.0m	A462401-010
Water Valve Cable (for MT Pumps Only), L = 3.5m	A462401-035
Water Valve Cable (for MT Pumps Only), L = 5.0m	A462401-050
Water Valve Cable (for MT Pumps Only), L = 10.0m	A462401-100
Water Valve Cable (for MT Pumps Only), L = 20.0 m	A462401-200
Cables Mains cables / Power cords	
Mains cable 2.5 m Europe standard 200–240 V AC	A328405
Mains Cable 2.5 m US Standard 200–240 V AC	A331729
Cables Valve cables (external drive electronics to venting valve)	
Valve cable (Magpower external drive electronics to venting valve), L = 1.0 m	A462403-010
Valve cable (Magpower external drive electronics to venting valve), L = 3.5 m	A462403-035
Valve cable (Magpower external drive electronics to venting valve), L = 5.0 m	A462403-050
Valve cable (Magpower external drive electronics to venting valve), L = 10.0 m	A462403-100
Valve cable (external drive electronics to venting valve), L= 20.0 m	A462403-200
Control Devices External drive units	
Magpower controller	120917
Flanges/Ports Rotatable flanges	
Rotatable flange DN 200 CF-F	303131
Mounting Mounting kits for ATH-M <verteilen>	
Screw Set for CF-F (for ATH 1600 M, DN 200)	111664
Protection Dust separators/Inlet particle filters	
Dust filter	106229

Accessories	
Protection Inlet screens	
Stainless inlet filter kit for DN 200 - M 4.5	108872
Aluminum inlet filter for DN 200	109200
Valves Sealing gas valves, shielded (normally closed)	
Sealing Gas Valve, 50 sccm	111921S
Valves Water inlet valves	
Water inlet valve 24 V DC	108668
Venting Venting valves (normally closed)	
Air venting valve (for OBC V4 and Magpower)	114280

VACUUM SOLUTIONS FROM A SINGLE SOURCE

Pfeiffer Vacuum stands for innovative and custom vacuum solutions worldwide, technological perfection, competent advice and reliable service.

COMPLETE RANGE OF PRODUCTS

From a single component to complex systems:

We are the only supplier of vacuum technology that provides a complete product portfolio.

COMPETENCE IN THEORY AND PRACTICE

Benefit from our know-how and our portfolio of training opportunities!

We support you with your plant layout and provide first-class on-site service worldwide.

Are you looking for a
perfect vacuum solution?
Please contact us:

Pfeiffer Vacuum GmbH
Headquarters · Germany
T +49 6441 802-0
info@pfeiffer-vacuum.de

www.pfeiffer-vacuum.com

All data subject to change without prior notice.

PFEIFFER  **VACUUM**