



# ASM 390, universal voltage, configurable I/O interface board

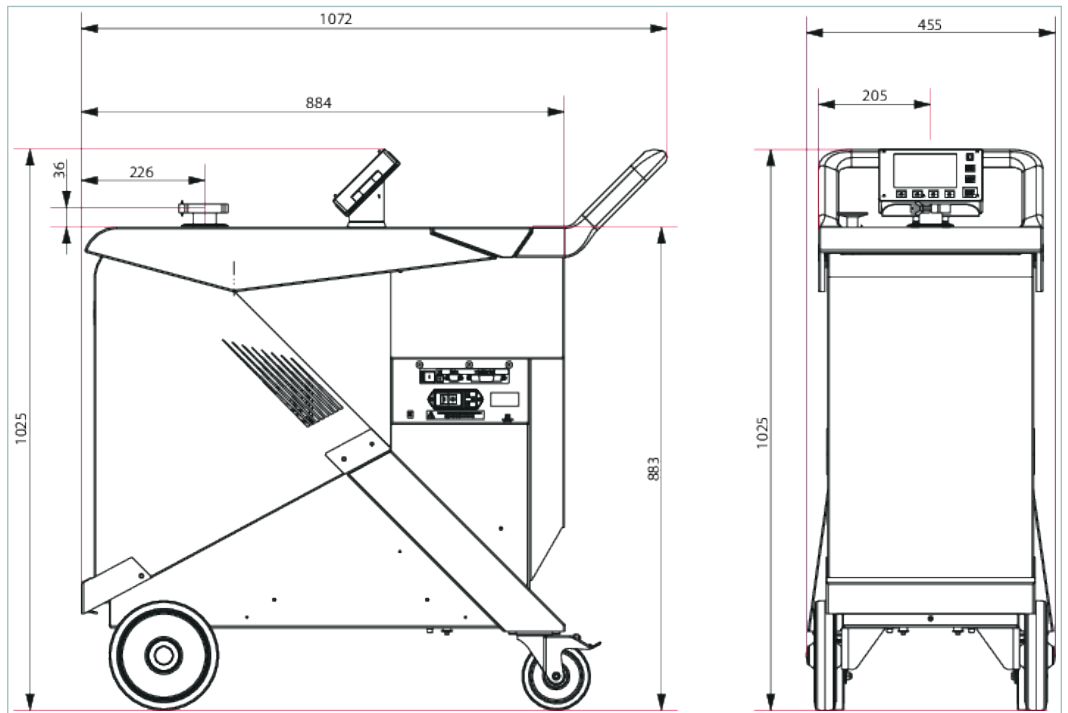


Similar Image

## ASM 390, universal voltage, configurable I/O interface board

- Dry and clean pump with high backing capacity (35 m<sup>3</sup>/h)
- Fast time to test: unrivalled performances from small to large volumes
- High maneuverability and compact design
- Large color touch screen, fully rotatable and detachable without any tool
- Integrated toolbox for storage of accessories
- Fully configurable I/O interface (37 pins D-Sub) to allow control through PCs/PLCs

### Dimensions



Technical Data	ASM 390, universal voltage, configurable I/O interface board
Backing pump	with oil free backing pump
Backing pump capacity	35 m <sup>3</sup> /h   20.6 cfm   583.33 l/min
Connection flange (in)	DN 40 ISO-KF
Detectable gases	<sup>4</sup> He, <sup>3</sup> He, H <sub>2</sub>
Dimensions (L x W x H)	1,072 x 455 x 1,025 mm   42.2 x 17.91 x 40.35 inch
Exhaust connection	Exhaust with filter
I/O interfaces	Configurable 37 pins I/O
Interface: Connection, device side	Configurable 37 pins I/O
Minimum detectable leakage rate for helium (sniffing leak detection)	1 · 10 <sup>-9</sup> Pa m <sup>3</sup> /s   7.5 · 10 <sup>-9</sup> Torr l/s   1 · 10 <sup>-8</sup> mbar l/s
Minimum detectable leakage rate for helium (vacuum leak detection)	1 · 10 <sup>-13</sup> Pa m <sup>3</sup> /s
Operating temperature	10-35 °C   50-95 °F   283-308 K
Power consumption	800 W
Power consumption max.	1600 W
Pumping speed for He	10 l/s
Sound power	55 dB(A)
Sound pressure level	55 dB(A)

Technical Data	ASM 390, universal voltage, configurable I/O interface board
Start-up time (20°C)	2 min
Supply	100 – 240 V, 50/60 Hz
Test method	Vacuum and sniffing leak detection
Type	High performance - mobile
User interface	Graphic color touch screen (detachable)
Weight	125 kg   275.57 lb

Order number	
ASM 390	<b>CSGB01G2MM9A</b>

Accessories	
<b>Caps/Clamps Locking clamps</b>	
Locking clamp, DN 40 KF	<b>118801</b>
<b>Control Devices Remote controls</b>	
Remote control, leak rate in mbar l/s, legend in English	<b>106688</b>
Remote control, leak rate in Pa m <sup>3</sup> /s, legend in Japanese	<b>106690</b>
Remote control, leak rate in Pa m <sup>3</sup> /s, legend in English	<b>108880</b>
Remote control, leak rate in Torr l/s, legend in English	<b>108881</b>
Remote control RC 10, wired/wireless, for ASM and ASI leak detectors	<b>124193</b>
<b>Mounting Bottle holders</b>	
Bottle holder for ASM 390 – ASM 392	<b>126561</b>
<b>Protection Inlet filters</b>	
Inlet filter, 20 µm, DN 40/40 ISO-KF	<b>105842</b>
<b>Sniffing/Spraying Helium pistols/ spray guns</b>	
Helium spray gun "Elite-Kit", spray gun with additional accessories in a compact case	<b>109951</b>
Helium spray gun, standard	<b>112535</b>
<b>Sniffing/Spraying Sniffer probes</b>	
Sniffer probe, 5 m hose length, rigid 9 cm nozzle	<b>SNC1E1T1</b>

## **VACUUM SOLUTIONS FROM A SINGLE SOURCE**

Pfeiffer Vacuum stands for innovative and custom vacuum solutions worldwide, technological perfection, competent advice and reliable service.

## **COMPLETE RANGE OF PRODUCTS**

From a single component to complex systems:

We are the only supplier of vacuum technology that provides a complete product portfolio.

## **COMPETENCE IN THEORY AND PRACTICE**

Benefit from our know-how and our portfolio of training opportunities!

We support you with your plant layout and provide first-class on-site service worldwide.

Are you looking for a  
perfect vacuum solution?  
Please contact us:

**Pfeiffer Vacuum GmbH**  
Headquarters · Germany  
T +49 6441 802-0  
info@pfeiffer-vacuum.de

[www.pfeiffer-vacuum.com](http://www.pfeiffer-vacuum.com)

All data subject to change without prior notice.

**PFEIFFER**  **VACUUM**