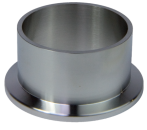


Half nipple, stainless steel 1.4301/304, DN 50 ISO-KF

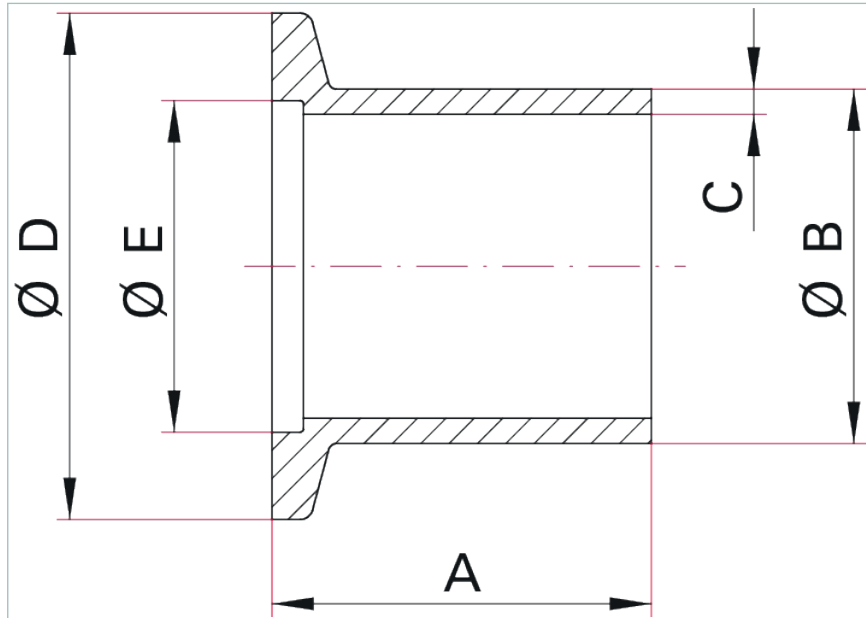


Similar Image

Half nipple, stainless steel 1.4301/304, DN 50 ISO-KF

- Custom lengths on request

Dimensions



A	70 mm
B	57 mm
C	3.2 mm
D	75 mm
E	52.4 mm

Technical Data	Half nipple, stainless steel 1.4301/304, DN 50 ISO-KF
Material	Stainless Steel 304/1.4301
Nominal diameter	DN 50 ISO-KF
Pipe dimension	57 mm × 3.2 mm
Pressure range	1 · 10 ⁻⁸ hPa to 1500 hPa over pressure (elastomer seal); 1 · 10 ⁻⁹ hPa to 1500 hPa over pressure (metal seal)
Temperature range	-196-300 °C -320.8-572 °F 77-573 K

Order number	
Half nipple	120FRA050-57-70

VACUUM SOLUTIONS FROM A SINGLE SOURCE

Pfeiffer Vacuum stands for innovative and custom vacuum solutions worldwide, technological perfection, competent advice and reliable service.

COMPLETE RANGE OF PRODUCTS

From a single component to complex systems:

We are the only supplier of vacuum technology that provides a complete product portfolio.

COMPETENCE IN THEORY AND PRACTICE

Benefit from our know-how and our portfolio of training opportunities!

We support you with your plant layout and provide first-class on-site service worldwide.

Are you looking for a
perfect vacuum solution?
Please contact us:

Pfeiffer Vacuum GmbH
Headquarters · Germany
T +49 6441 802-0
info@pfeiffer-vacuum.de

www.pfeiffer-vacuum.com

All data subject to change without prior notice.

PFEIFFER  **VACUUM**