



# PKR 360, low current, DN 25 ISO-KF

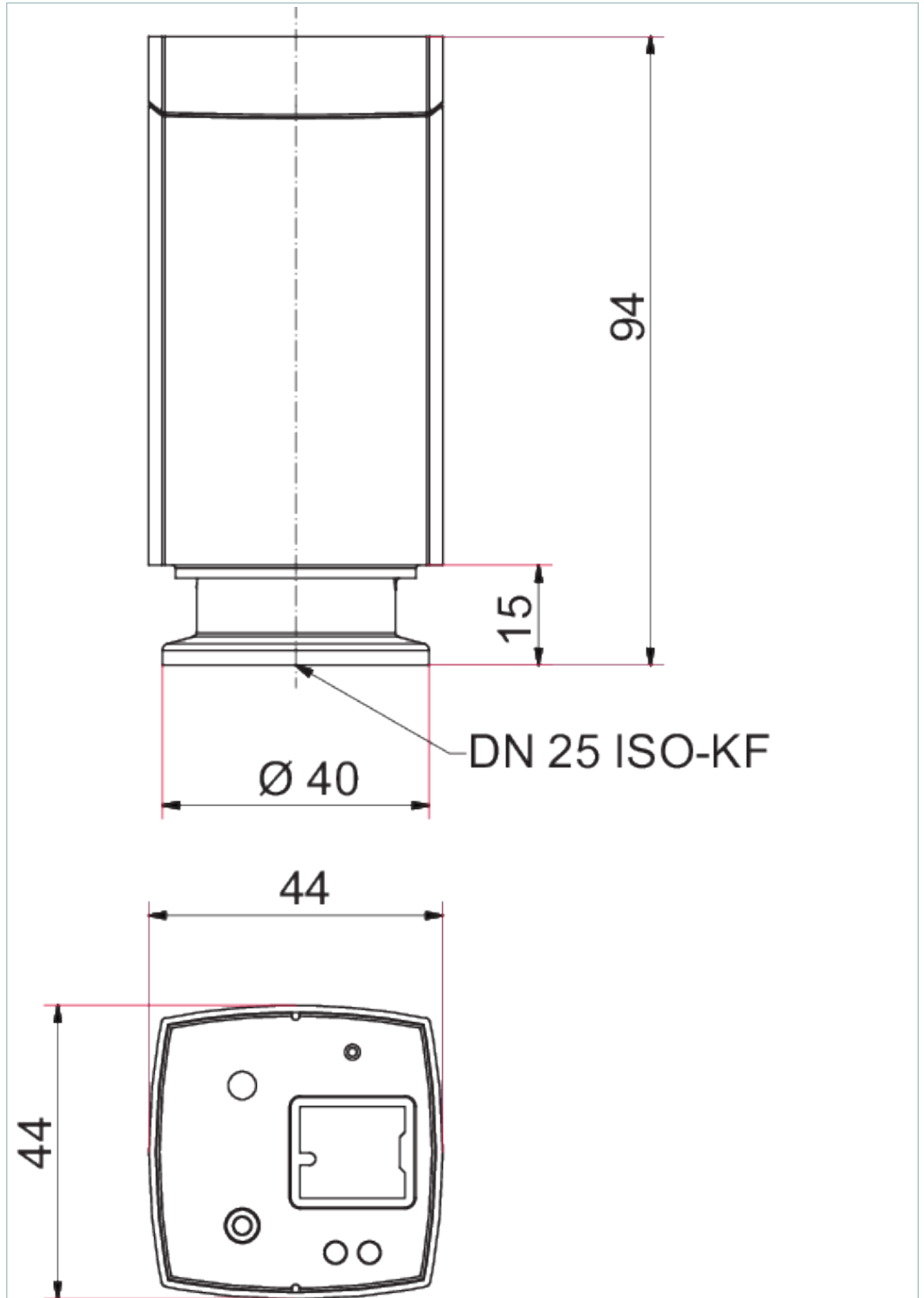


Similar Image

### PKR 360, low current, DN 25 ISO-KF

- Rugged and dependable
- Insensitive to air ingress
- Without elastomer seal
- Maximum pressure refers to inert gases and temperatures of less than  $< 55\text{ }^{\circ}\text{C}$

#### Dimensions



Technical Data	PKR 360, low current, DN 25 ISO-KF
Accuracy: $1 \cdot 10^{-8} - 1 \cdot 100$ hPa	$\pm 30$ %
Anode	Molybdenum
Bakeout temperature	Electronics removed, $\leq 150$ °C
Feedthrough	Glass
Filament	Tungsten
Flange, Material	Stainless Steel 1.4435
Measurement range	$1 \cdot 10^{-8} - 1E3$ hPa
Measurement range max.	$1 \cdot 10^3$ hPa   $7.5 \cdot 10^2$ Torr   $1 \cdot 10^3$ mbar
Measurement range min.	$1 \cdot 10^{-8}$ hPa   $7.5 \cdot 10^{-9}$ Torr   $1 \cdot 10^{-8}$ mbar
Method of measurement	Pirani/Cold Cathode
Nominal diameter	DN 25 ISO-KF
Output signal: Measurement range	2 – 8.6 V
Output signal: Minimum load	10 k $\Omega$
Pressure max.	10,000 hPa   7,500 Torr   10,000 mbar
Repeatability: $1 \cdot 10^{-8} - 1 \cdot 10^{-2}$ hPa	5 %
Sensor cable length max.	300 m
Supply: Power consumption max.	2 W
Supply: Voltage	14.5 – 30 V DC
Temperature: Operating	5-55 °C   41-131 °F   278-328 K
Temperature: Storage	-40-70 °C   -40-158 °F   233-343 K
Volume	19.9 cm <sup>3</sup>
Weight	$\pm 280$ g

Order number	
PKR 360	PT T02 140 010

Accessories	
<b>Accessory</b>	
Mating connector	B 4707 283 MA
<b>Measurement cable</b>	
Sensor cable, 3 m	PT 448 250 -T

## **VACUUM SOLUTIONS FROM A SINGLE SOURCE**

Pfeiffer Vacuum stands for innovative and custom vacuum solutions worldwide, technological perfection, competent advice and reliable service.

## **COMPLETE RANGE OF PRODUCTS**

From a single component to complex systems:

We are the only supplier of vacuum technology that provides a complete product portfolio.

## **COMPETENCE IN THEORY AND PRACTICE**

Benefit from our know-how and our portfolio of training opportunities!

We support you with your plant layout and provide first-class on-site service worldwide.

Are you looking for a  
perfect vacuum solution?  
Please contact us:

**Pfeiffer Vacuum GmbH**  
Headquarters · Germany  
T +49 6441 802-0  
info@pfeiffer-vacuum.de

[www.pfeiffer-vacuum.com](http://www.pfeiffer-vacuum.com)

All data subject to change without prior notice.

**PFEIFFER**  **VACUUM**