



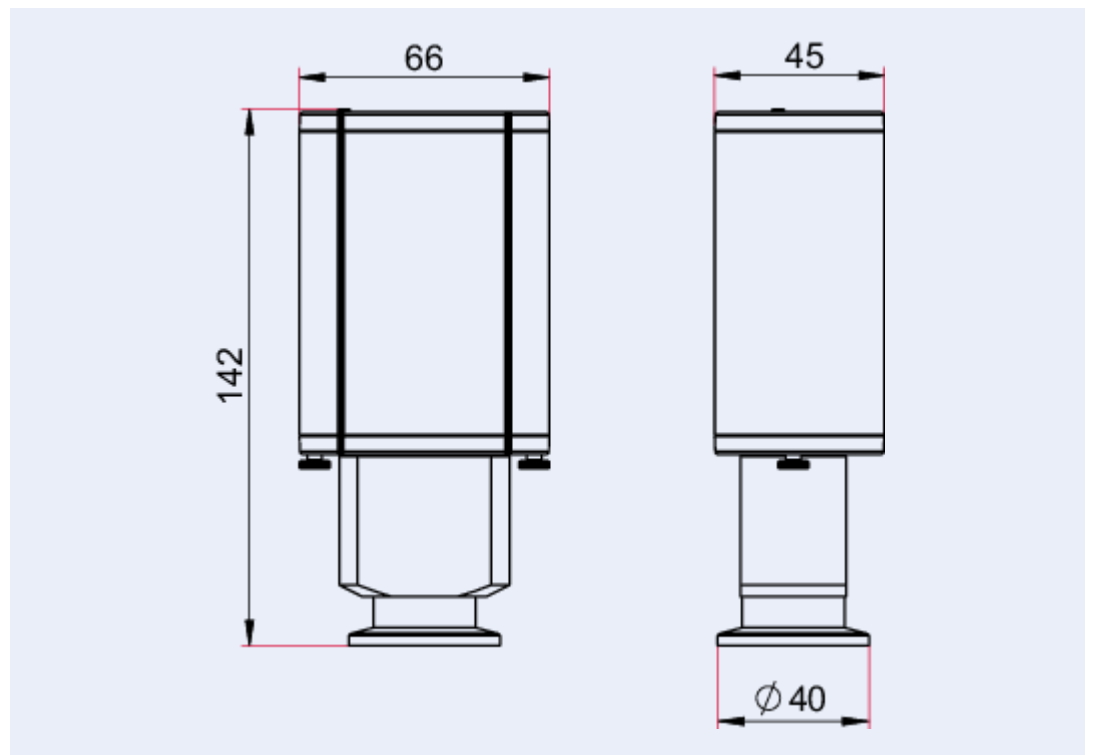
# PBR 360, Pirani/Bayard-Alpert, DN 25 ISO-KF



## PBR 360, Pirani/Bayard-Alpert, DN 25 ISO-KF

- Combined Pirani and Bayard-Alpert sensor
- High security by two filaments
- High measurement accuracy
- Bayard-Alpert sensor ON/OFF automatically controlled by Pirani sensor

### Dimensions



Technical Data	PBR 360, Pirani/Bayard-Alpert, DN 25 ISO-KF
Output signal: Measuring range	0.774 – 10 V
Output signal: Measuring range, max.	10 V
Output signal: Measuring range, min.	0.774 V
Output signal: Measuring range	0.774 – 10 V
Measuring range	5E-10 – 1 · 10 <sup>3</sup> hPa
Materials in contact with media	Stainless steel 1.4307 (AISI 304L)   Tungsten   Nickel   Glass
Measurement cable length	100 m
Print catalog	True
Anode	130727
Ambient temperature	5 – 60 °C
Temperature: Storage	-40 – 65 °C
Accuracy of measurement in range 1	10 % (1E-8 hPa – 1 · 10 <sup>1</sup> hPa)
Measuring method	Pirani   Bayard-Alpert
Operating voltage: DC	20 – 30 V
Input voltage(s)	20 – 30 V DC
Measuring range min.	5 · 10 <sup>-10</sup> hPa   3.75 · 10 <sup>-10</sup> Torr   5 · 10 <sup>-10</sup> mbar
Measuring range max.	1 · 10 <sup>3</sup> hPa   7.5 · 10 <sup>2</sup> Torr   1 · 10 <sup>3</sup> mbar
Ambient temperature, max.	60 °C   140 K   -213.15 °F
Supply: consumption max.	9 W
Volume	17 cm <sup>3</sup>
Repeatability: 1 · 10 <sup>-8</sup> – 1 · 10 <sup>-2</sup> hPa	±5 %
Output signal: Minimum load	10 kΩ
Precision: 10 – 1000 hPa	±30 %
Precision: 1 · 10 <sup>-8</sup> – 10 hPa	±10 %
Repeatability: 1 · 10 <sup>-2</sup> – 10 hPa	2 %
Temperature: Storage, max	65 °C   149 K   -208.2 °F
Temperature: Storage, min	-40 °C   -40 K   -313.2 °F
Pressure max.	4,000 hPa   3,000 Torr   4,000 mbar
Ambient temperature, min.	5 °C   41 K   -268.15 °F
Weight	0.47 kg   1.04 lb
Supply: Voltage V DC	20 – 30 V DC
Supply: Voltage V DC max.	30 V DC
Supply: Voltage V DC min.	20 V DC
Power consumption max.	9 W
Number of filaments	2
Connection flange	DN 25 ISO-KF

Filament	<i>Pirani: Tungsten hot cathode: Iridium coated with Y<sub>2</sub>O<sub>3</sub></i>
----------	---

<b>Order number</b>	PBR 360, Pirani/Bayard-Alpert, DN 25 ISO-KF
PBR 360, Pirani/Bayard-Alpert, DN 25 ISO-KF	PT R27 010

<b>Accessories</b>	PBR 360, Pirani/Bayard-Alpert, DN 25 ISO-KF
Sensor for HPT 200 and PBR 360 DN 25 ISO-KF	PT 120 239 -T

## Your Success. Our Passion.

We give our best for you every day –  
worldwide!

**Are you looking for an optimum vacuum solution?**

**Talk to us:**  
Pfeiffer Vacuum GmbH  
**Germany**  
**T +49 6441 802-0**

Or scan the barcode, to visit our web page:



<https://webportal.pfeiffer-vacuum.com/global/en/contact>



Errors and/or changes excepted. - 3/18/2024

Follow Us On Social Media  
#pfeiffervacuum



**PFEIFFER**  **VACUUM**

[www.pfeiffer-vacuum.com](http://www.pfeiffer-vacuum.com)