



# Oil mist separator OME 25 S

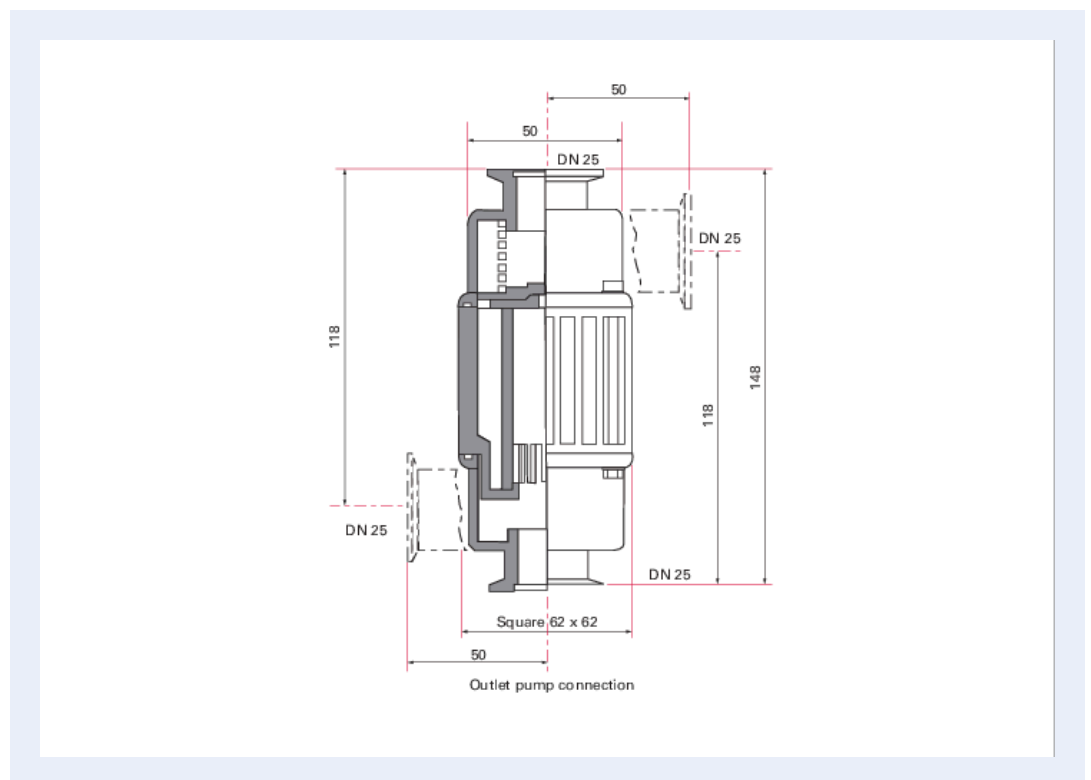




## Oil mist separator OME 25 S

- For the exhaust flange
- Prevents emission of oil mist
- Customer benefits: Clean, oil mist free exhaust air
- Supplied with: 1 centering ring, 1 clamp, 1 additional angle port
- Replacement cartridge, single: Order number 068304. Order must be placed for quantities that are a multiple of 5 (5, 10, 15...)

## Dimensions



<b>Technical Data</b>	<b>Oil mist separator OME 25 S</b>
Cartridge material	Epoxy   Glass microfaser
Housing	Polyamid
Pressure max.	1,500 hPa   1,125 Torr   1,500 mbar
For pumping speed up to	24 m <sup>3</sup> /h   14.1264 cfm   400.008 l/min
Weight	0.22 kg   0.48 lb
Degree of separation	99.99 %
Connection flange (in)	DN 25 ISO-KF
Connection flange (out)	DN 25 ISO-KF

<b>Order number</b>	<b>Oil mist separator OME 25 S</b>
<b>Oil mist separator OME 25 S</b>	<b>104200</b>

## Your Success. Our Passion.

We give our best for you every day –  
worldwide!

**Are you looking for an optimum vacuum solution?**

**Talk to us:**  
Pfeiffer Vacuum GmbH  
**Germany**  
**T +49 6441 802-0**

Or scan the barcode, to visit our web page:



<https://webportal.pfeiffer-vacuum.com/global/en/contact>



Errors and/or changes excepted. - 4/6/2024

Follow Us On Social Media  
#pfeiffervacuum



**PFEIFFER**  **VACUUM**

[www.pfeiffer-vacuum.com](http://www.pfeiffer-vacuum.com)