



Type PDR2000

DIGITAL POWER SUPPLY AND READOUT

The MKS PDR2000 is a versatile, low cost solution for powering and displaying the MKS Baratron® family of transducers. This unit can deliver up to 0.75 Amps of ± 15 VDC to operate one or two heated or unheated units. Both units are simultaneously powered, so the user may alternate between readings by pressing a front panel select button. The readings are also available on demand via the RS-232 interface.

Two process relay trip points are available and may be assigned to either manometer. Upper and lower settings allow the user complete control over the hysteresis of the control trip point. The relays have isolated outputs and are rated for 2 Amps at 240 VAC.

The advanced power supply design operates on any input from 100 VAC to 240 VAC. Selection of engineering unit is also available for Torr/mtorr, or mbar/microbar. It is also CE marked, making it a universal instrument for international application.

Features & Benefits

- Low cost
- 0.75 Amp power supply allows use of up to two heated manometers
- RS-232 interface
- CE Compliant to ECD Directive 2004/108/EEC
- Linear analog output
- Two process relay set points
- Compact size

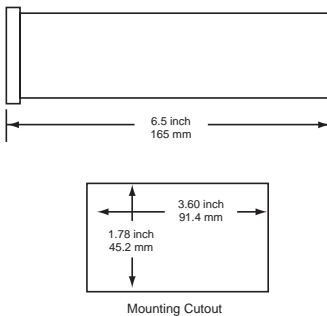
Specifications and Ordering Information

Display Type	4 digits (9999) Red LED
Display Range	0.01 mtorr to 10.00 ktorr
No. of Channels	2
Relay Trip Points	2, assignable to either channel
Outputs	
Analog	Continuous 0-5 VDC output, 0.5 VDC per decade based on display value
Digital	0-10 VDC each channel (duplicate of input) RS-232 (9600 baud, 8 data bits, no parity, 1 stop bit)
Controls	Gauge Select, Full Scale Adjust, Calibrate, Zero, Set point 1 High, Set point 1 Low, Set point 2 High, Setpoint 2 Low, Torr/mbar Select
Output Power	±15 VDC @ 750 mA
Operating Temperature Range	+2 to +50°C
Weight	1 lb.
Operating Voltage	Universal input, 100-240VAC, 47-63 Hz, 40 VA, IEC 320 instrument power input receptacle
Size	
Standard	1/8" DIN enclosure 3.80" W x 1.85" H x 7.0" D (95 mm x 47 mm x 175 mm)

Ordering Code Example: PDR2000AO	Code	Configuration
Type PDR2000AO	PDR2000AO	PDR2000AO
Cables		
626/627/628/722 with 15-pin D to PDR2000		CB2000S-1-M1*
722/750/850/852 with 9-pin D to PDR2000		CB2000S-2-M1*
RS-232 output		CBPDR-1-10
One 628 to PDR 2000		CB628S-3-10

*M1 = 10 ft. lengths, M2 = 20 ft. lengths, M3 = 30 ft. lengths

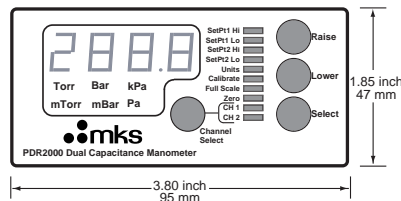
Outline



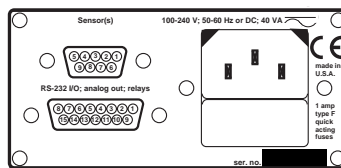
Dimensional Drawing —

Note: Unless otherwise specified, dimensions are nominal values in inches (mm referenced).

Front View



Rear View



MKS Instruments, Inc. Global Headquarters

2 Tech Drive, Suite 201
Andover, MA 01810
Tel: 978.645.5500
Tel: 800.227.8766 (in U.S.A.)
Web: www.mksinst.com

MKS Instruments, Inc. Pressure & Vacuum Measurement Solutions

Six Shattuck Road
Andover, MA 01810
Tel: 978.975.2350