



Pressure &

Vacuum Measurement Solutions

WWW.MKSINST.COM

CV762xD

BARATRON® CAPACITANCE MANOMETER ISOLATION SYSTEM

The CV762xD Isolation System is designed to automatically maintain a heated 600-series Baratron capacitance manometer at vacuum throughout a process cycle. Maintaining a heated Baratron® capacitance manometer at vacuum is one of the most important ways to optimize its accuracy and repeatability in production systems, making this product especially well-suited for fast-cycling industrial and semiconductor manufacturing processes. The Isolation System consists of either a 627D or 628D heated process Baratron capacitance manometer, a Pneumatic Isolation Valve, and an R750C Mini-Baratron® capacitance manometer with Relay Module. The R750C Relay Module monitors the process pressure, and provides a contact closure that is used to open or close a (customer-supplied) solenoid in the pneumatic line to the Pneumatic Isolation Valve. This solenoid closes the valve whenever the process pressure exceeds the Full Scale range of the heated process Baratron capacitance manometer, maintaining it in its optimum working range. Many different Baratron capacitance manometer configurations and trip point options are available.

Features & Benefits

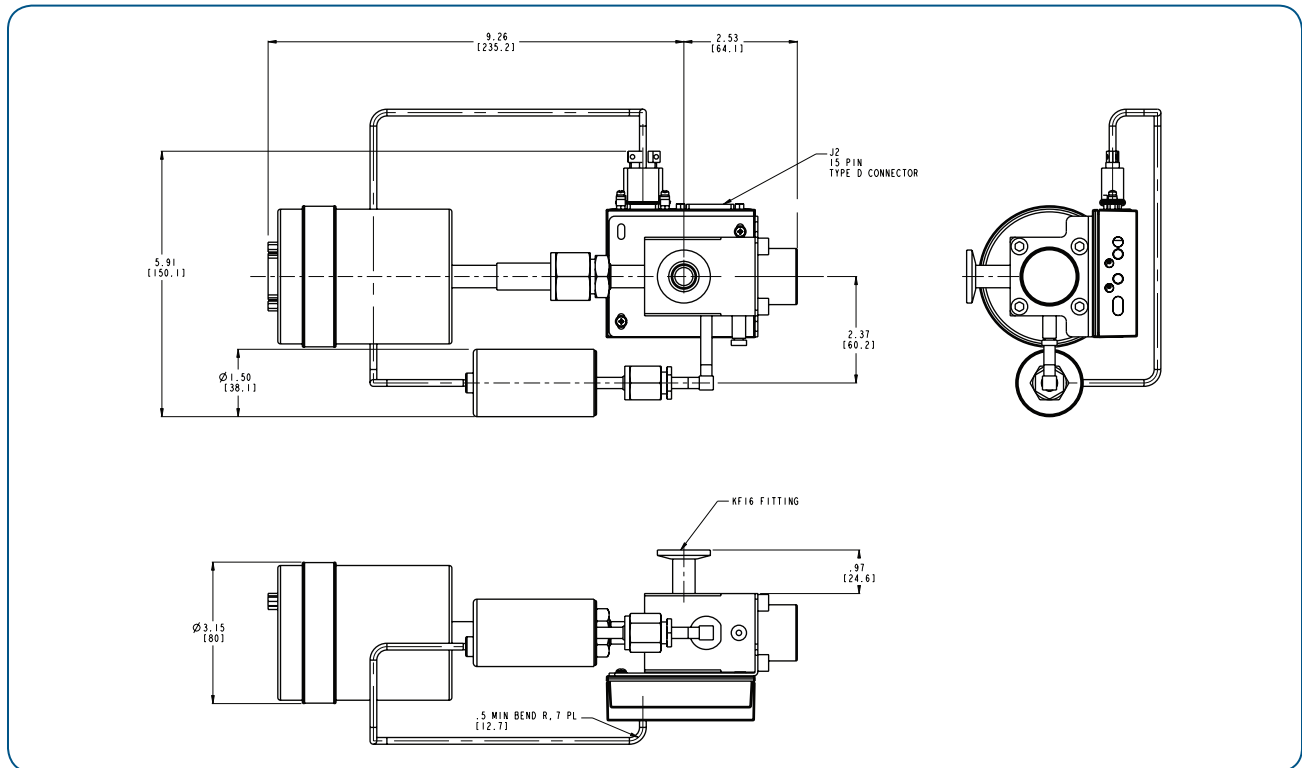
- Automatically isolates heated Baratron capacitance manometer from exposure to pressures above its Full Scale range, maintaining its accuracy and repeatability
- Available with 45°C or 100°C process Baratron capacitance manometers in Full Scale ranges from 0.05 Torr (6.7 Pa) to 10 Torr (1332 Pa) to accommodate process temperature requirements



Typical Specifications and Dimensions

Full Scale Range and Orientation (Process Baratron capacitance manometer)	1 Torr with vertical calibration
Temperature (Process Baratron capacitance manometer)	45°C
System Connection Fitting	NW16-KF
Connection Fitting (Baratron capacitance manometer)	8 female VCR®
Connection Fitting (Mini-Baratron capacitance manometer)	4 female VCR
Trip Relay Settings	Two (2) independently-adjusted electromechanical relays, UL listed, rated at 1 amp @ 30 VDC or 0.3 amp @ 30 VAC. Standard relay settings are Trip Relay A energizes > 5 Torr and Trip Relay B energizes below 9.5 Torr. Other relay settings available - contact factory.
Input Voltage	±15 VDC ± 5% @ 0.35 amps
Output Signal (Process Baratron capacitance manometer)	Analog 0 – 10 VDC into > 10 kΩ load
Compliance	CE

Contact MKS Applications or your MKS Regional Account Manager for more information or other configurations.



Dimensional Drawing — Typical External Dimensions

Note: Unless otherwise specified, dimensions are nominal values in inches (mm referenced).

Contact MKS Applications or your MKS Regional Account Manager for more information or other configurations.



MKS Instruments, Inc. Global Headquarters

2 Tech Drive, Suite 201
Andover, MA 01810
Tel: 978.645.5500
Tel: 800.227.8766 (in U.S.A.)
Web: www.mksinst.com

MKS Instruments, Inc. Pressure & Vacuum Measurement Solutions

Six Shattuck Road
Andover, MA 01810
Tel: 978.975.2350