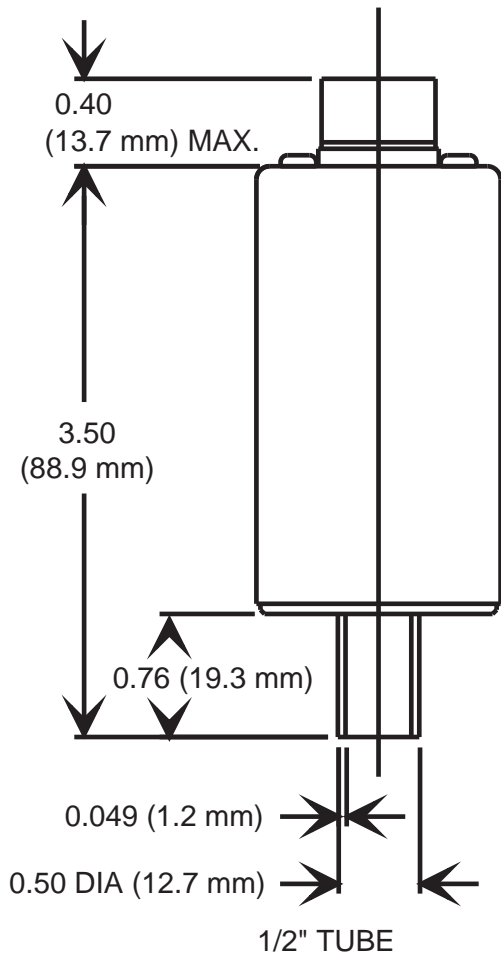
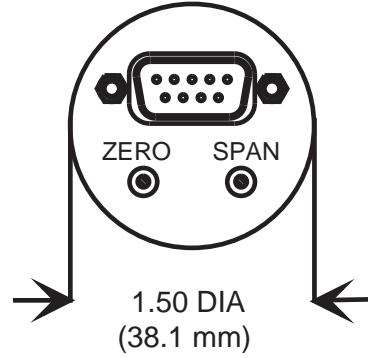
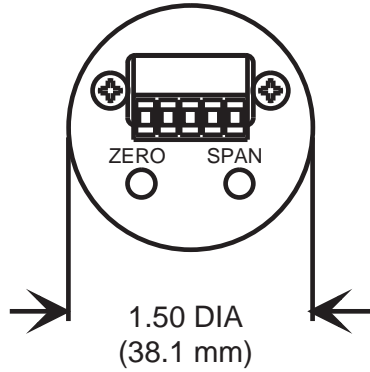
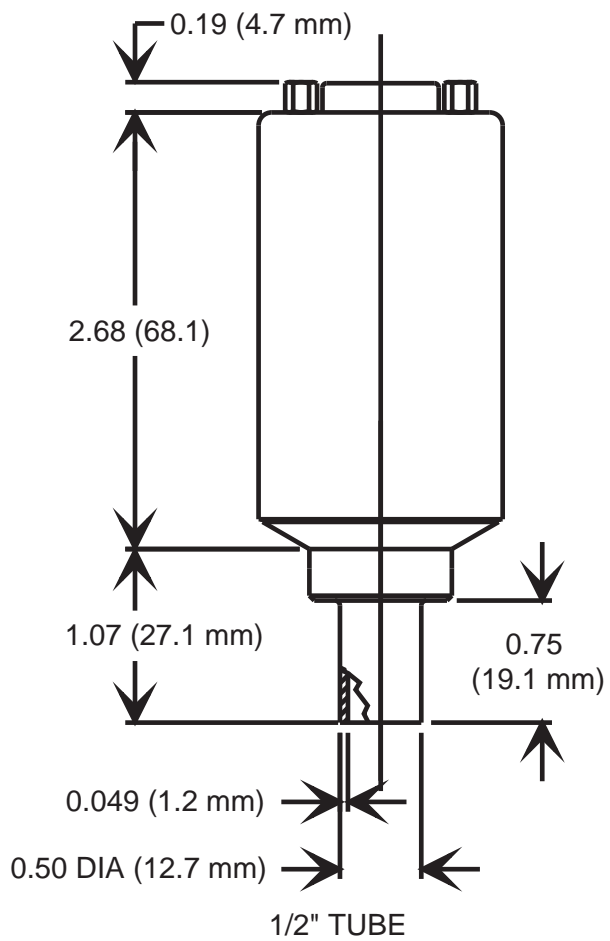


Dimensional Drawing —

Note: Unless otherwise specified, dimensions are nominal values in inches (mm referenced).



LOW CAPACITANCE MANOMETER
PRESSURE UP TO 1000 TORR



HIGH CAPACITANCE MANOMETER
> 1000 TORR
THROUGH 25,000 TORR