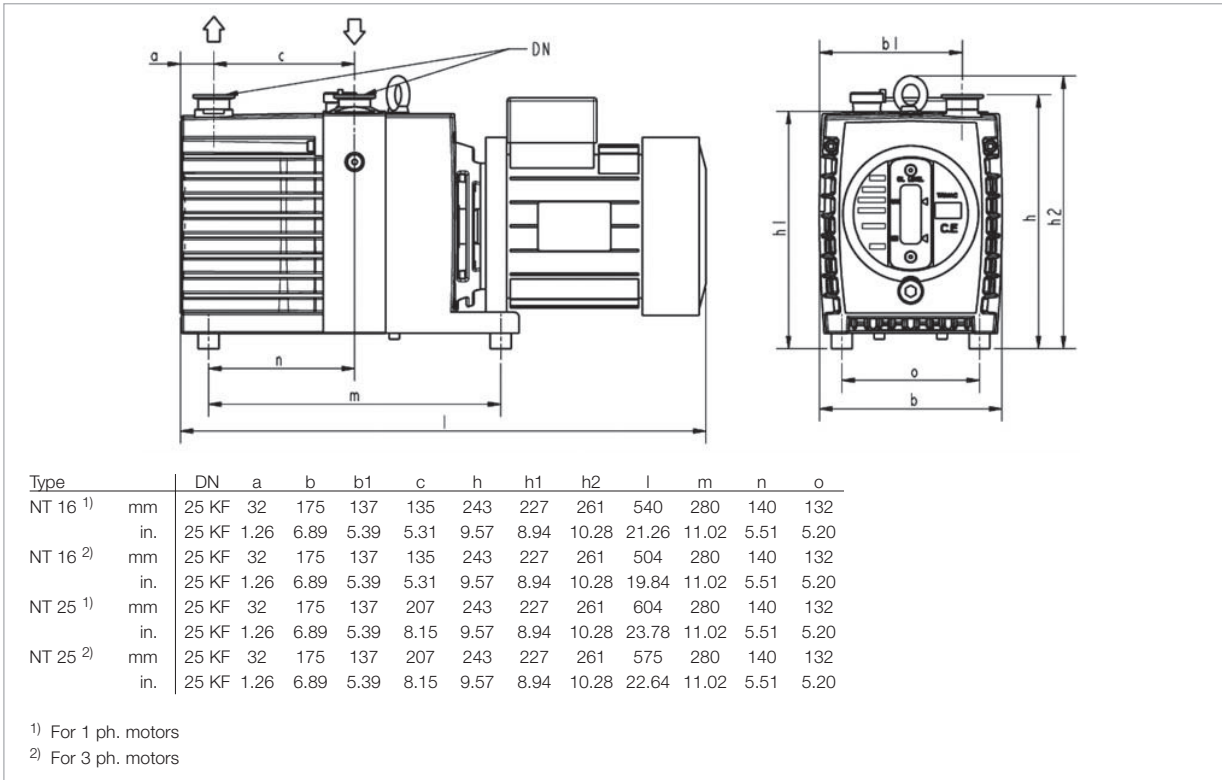


# TRIVAC NT 16 and NT 25



TRIVAC NT 16



Dimensional drawing for the TRIVAC NT 16 and NT 25

## Technical Data

### TRIVAC NT 16 two-stage

### TRIVAC NT 25 two-stage

		50 Hz	60 Hz	50 Hz	60 Hz
Nominal pumping speed <sup>1)</sup>	m <sup>3</sup> /h (cfm)	18.9 (11.1)	22.7 (13.4)	29.9 (17.6)	29.9 (17.6)
Pumping speed <sup>1)</sup>	m <sup>3</sup> /h (cfm)	16.5 (9.7)	19.8 (11.7)	25.7 (15.1)	25.7 (15.1)
Ultimate partial pressure without gas ballast <sup>2)</sup>					
with N 62	mbar (Torr)	10 <sup>-4</sup> (0.75 x 10 <sup>-4</sup> )	10 <sup>-4</sup> (0.75 x 10 <sup>-4</sup> )	10 <sup>-4</sup> (0.75 x 10 <sup>-4</sup> )	10 <sup>-4</sup> (0.75 x 10 <sup>-4</sup> )
with PFPE	mbar (Torr)	8 x 10 <sup>-4</sup> (6 x 10 <sup>-4</sup> )	8 x 10 <sup>-4</sup> (6 x 10 <sup>-4</sup> )	8 x 10 <sup>-4</sup> (6 x 10 <sup>-4</sup> )	8 x 10 <sup>-4</sup> (6 x 10 <sup>-4</sup> )
Ultimate total pressure without gas ballast <sup>2)</sup>					
with N 62	mbar (Torr)	< 2 x 10 <sup>-3</sup> (< 1.5 x 10 <sup>-3</sup> )	< 2 x 10 <sup>-3</sup> (< 1.5 x 10 <sup>-3</sup> )	< 2 x 10 <sup>-3</sup> (< 1.5 x 10 <sup>-3</sup> )	< 2 x 10 <sup>-3</sup> (< 1.5 x 10 <sup>-3</sup> )
with DOT	mbar (Torr)	0.6 (0.5)	0.6 (0.5)	0.6 (0.5)	0.6 (0.5)
Ultimate total pressure <sup>2)</sup>					
with N 62	mbar (Torr)	< 5 x 10 <sup>-3</sup> (< 3.8 x 10 <sup>-3</sup> )	< 5 x 10 <sup>-3</sup> (< 3.8 x 10 <sup>-3</sup> )	< 5 x 10 <sup>-3</sup> (< 3.8 x 10 <sup>-3</sup> )	< 5 x 10 <sup>-3</sup> (< 3.8 x 10 <sup>-3</sup> )
with PFPE	mbar (Torr)	< 5 x 10 <sup>-3</sup> (< 3.8 x 10 <sup>-3</sup> )	< 5 x 10 <sup>-3</sup> (< 3.8 x 10 <sup>-3</sup> )	< 5 x 10 <sup>-3</sup> (< 3.8 x 10 <sup>-3</sup> )	< 5 x 10 <sup>-3</sup> (< 3.8 x 10 <sup>-3</sup> )
with DOT	mbar (Torr)	0.9 (0.7)	0.9 (0.7)	0.9 (0.7)	0.9 (0.7)
Water vapor tolerance <sup>2)</sup>	mbar (Torr)	25 (18.8)	25 (18.8)	25 (18.8)	25 (18.8)
Water vapor capacity	g/h	305	305	476	476
Oil filling, min. / max.	l (qt)	0.70 / 1.00 (0.74 / 1.10)	0.70 / 1.00 (0.74 / 1.10)	1.1 / 1.5 (1.16 / 1.59)	1.1 / 1.5 (1.16 / 1.59)
Noise level to DIN 45 635 without gas ballast at 50 Hz	dB(A)	< 54	< 54	< 54	< 54
Admissible ambient temperature	°C (°F)	+12 to +40 (+54 to +104)	+12 to +40 (+54 to +104)	+12 to +40 (+54 to +104)	+12 to +40 (+54 to +104)
Motor rating	W (HP)	550 (0.75)	660 (0.9)	550 (0.75)	660 (0.9)
Nominal speed	rpm	1500	1800	1500	1800
Type of protection	IP	44	44	44	44
Weight with oil filling					
3 phase motor	kg (lbs)	35.0 (77.3)	35.0 (77.3)	41.0 (90.5)	41.0 (90.5)
1 phase motor	kg (lbs)	40.0 (88.3)	40.0 (88.3)	46.0 (101.5)	46.0 (101.5)
Connections, Intake and Exhaust	DN	25 KF	25 KF	25 KF	25 KF

<sup>1)</sup> To DIN 28 426 T1

<sup>2)</sup> To DIN 28 400 ff

We can only guarantee that the pump will meet its specifications when using the type of lubricant which has been specified by us.

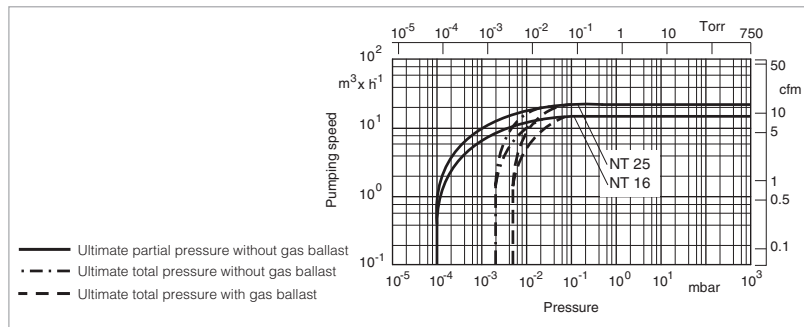
## Ordering Information

## TRIVAC NT 16 two-stage

## TRIVAC NT 25 two-stage

TRIVAC NT 16 1-phase world motor filling with N 62 <sup>1)</sup>	<b>Part No. 140 220</b>	<b>Part No. 140 330</b>
1-phase EU motor filling with N 62 <sup>1)</sup> filling with ANDEROL 555 <sup>1)</sup> filling with PFPE <sup>1)</sup> filling with DOT 4 <sup>1)</sup> filling with RCF E 68N <sup>1)</sup>	<b>Part No. 140 231</b> <b>Part No. 140 232</b> <b>Part No. 140 233</b> <b>Part No. 140 234</b> <b>Part No. 140 235</b>	<b>Part No. 140 336</b> <b>Part No. 140 337</b> <b>Part No. 140 338</b> <b>Part No. 140 339</b> <b>Part No. 140 340</b>
1-phase US/Japan motor filling with N 62 <sup>1)</sup>	<b>Part No. 140 241</b>	<b>Part No. 140 341</b>
3-phase world motor filling with N 62 filling with ANDEROL 555 filling with PFPE filling with DOT 4 filling with RCF E 68N	<b>Part No. 140 221</b> <b>Part No. 140 222</b> <b>Part No. 140 223</b> <b>Part No. 140 224</b> <b>Part No. 140 225</b>	<b>Part No. 140 331</b> <b>Part No. 140 332</b> <b>Part No. 140 333</b> <b>Part No. 140 334</b> <b>Part No. 140 335</b>
Power supply cable for 1-phase motor 100-120 V, 50/60 Hz; NEMA plug, US plug 200-240 V, 50/60 Hz; NEMA plug 200-240 V, 50/60 Hz; Schuko plug 200-240 V, 50/60 Hz; UK plug 100 V, 50/60 Hz; Japan plug	<b>Part No. 140 304</b> <b>Part No. 140 305</b> <b>Part No. 140 306</b> <b>Part No. 140 307</b> <b>Part No. 140 304V</b>	<b>Part No. 140 304</b> <b>Part No. 140 305</b> <b>Part No. 140 306</b> <b>Part No. 140 307</b> <b>Part No. 140 304V</b>

<sup>1)</sup> Pumps with a single phase motor are equipped with a connector for connecting the mains cord.  
Optionally fully pre-assembled regional mains cords can be used.



Pumping speed characteristics for the TRIVAC NT 16 and NT 25 at 50 Hz

## Ordering Information

## TRIVAC NT 16 two-stage

## TRIVAC NT 25 two-stage

Accessories		
Exhaust filter AF 25	<b>Part No. 190 53</b> <sup>1)</sup>	<b>Part No. 190 53</b> <sup>1)</sup>
Exhaust filter AF 16-25 AF 16-25 DOT	<b>Part No. 189 11</b> <sup>1)</sup> <b>Part No. 124 16</b> <sup>1)</sup>	<b>Part No. 189 11</b> <sup>1)</sup> <b>Part No. 124 16</b> <sup>1)</sup>
Exhaust filter with lubricant return AR 16-25	<b>Part No. 189 21</b> <sup>1), 5)</sup>	<b>Part No. 189 21</b> <sup>1), 5)</sup>
Exhaust filter with lubricant return ARS 16-25	<b>Part No. 189 56</b> <sup>1), 5)</sup>	<b>Part No. 189 56</b> <sup>1), 5)</sup>
Condensate trap AK 25	<b>Part No. 190 63</b>	<b>Part No. 190 63</b>
Condensate trap AK 16-25	<b>Part No. 188 11</b> <sup>2)</sup>	<b>Part No. 188 11</b> <sup>2)</sup>
Fine vacuum adsorption trap FA 8-16	<b>Part No. 187 10</b>	<b>Part No. 187 10</b>
Adsorption trap with aluminum oxide insert	<b>Part No. 854 15</b>	<b>Part No. 854 15</b>
Manually operated oil suction facility AR-M	<b>Part No. 190 93</b> <sup>4)</sup>	<b>Part No. 190 93</b> <sup>4)</sup>
Oil suction facility AR-V controlled by solenoid valve	<b>Part No. 190 92</b> <sup>4)</sup>	<b>Part No. 190 92</b> <sup>4)</sup>
Dust filter FS 8-16	<b>Part No. 186 10</b>	<b>Part No. 186 10</b>
Dust separators AS 8-16	<b>Part No. 186 11</b>	<b>Part No. 186 11</b>
Mechanical oil filter OF 4-25	<b>Part No. 101 91</b> <sup>3)</sup>	<b>Part No. 101 91</b> <sup>3)</sup>
Chemical oil filter CF 4-25	<b>Part No. 101 96</b> <sup>3)</sup>	<b>Part No. 101 96</b> <sup>3)</sup>
Chemical oil filter with safety isolation valve CFS 16-25	<b>Part No. 101 76</b> <sup>3)</sup>	<b>Part No. 101 76</b> <sup>3)</sup>
Exhaust filter drain tap	<b>Part No. 190 95</b>	<b>Part No. 190 95</b>
Oil drain tap M 16 x 1.5 vacuum-tight	<b>Part No. 190 90</b>	<b>Part No. 190 90</b>
Oil drain kit	<b>Part No. 190 94</b>	<b>Part No. 190 94</b>
Inlet flange, horizontal, DN 25 KF	<b>Part No. 140 300</b>	<b>Part No. 140 300</b>
Exhaust flange, horizontal, DN 25 KF	<b>Part No. 140 301</b>	<b>Part No. 140 301</b>
Oil pressure switch	<b>Part No. 140 302</b>	<b>Part No. 140 302</b>
Oil level switch	<b>Part No. 140 303</b>	<b>Part No. 140 303</b>
Adapter set for oil suction	<b>Part No. 140 298</b>	<b>Part No. 140 298</b>
Adapter set for oil filter	<b>Part No. 140 299</b>	<b>Part No. 140 299</b>
Major maintenance kit PFPE DOT 4	<b>Part No. EK 110 002 702</b> <b>Part No. EK 110 002 745</b> <b>Part No. EK 110 002 739</b>	<b>upon request</b> <b>upon request</b> <b>upon request</b>
Minor maintenance kit PFPE DOT 4	<b>Part No. EK 110 002 701</b> <b>Part No. EK 110 002 744</b> <b>Part No. EK 110 002 740</b>	<b>upon request</b> <b>upon request</b> <b>upon request</b>
Small parts kit PFPE DOT 4	<b>Part No. EK 110 002 703</b> <b>Part No. EK 110 002 746</b> <b>Part No. EK 110 002 738</b>	<b>upon request</b> <b>upon request</b> <b>upon request</b>
Replacement pump module PFPE DOT 4	<b>Part No. EK 110 002 704</b> <b>Part No. EK 110 002 747</b> <b>Part No. EK 110 002 737</b>	<b>upon request</b> <b>upon request</b> <b>upon request</b>
Shaft sealing replacement kit PFPE DOT 4	<b>Part No. EK 110 002 700</b> <b>Part No. EK 110 002 743</b> <b>Part No. EK 110 002 741</b>	<b>upon request</b> <b>upon request</b> <b>upon request</b>

<sup>1)</sup> Use only together with the horizontal exhaust flange (Part No. 140 301) (FPM ((FKM)) O-ring)

**Caution:** For DOT use 2x EPDM-rings (Part No. 971 471 362)

<sup>2)</sup> Use only together with the horizontal inlet flange (Part No. 140 300)

<sup>3)</sup> Can only be installed together with adapter 140 299

<sup>4)</sup> Can only be installed together with adapter 140 298

<sup>5)</sup> Can only be installed together with adapter set for oil suction Part No. 140 308

# Motor Dependent Data for the TRIVAC NT

## Ordering Information

	<b>NT 5</b>	<b>NT 10</b>
<b>TRIVAC NT 5 + NT 10</b>	Part No. 140 214	Part No. 140 314
	Part No. 140 213	Part No. 140 313
	Part No. 140 212	Part No. 140 312
	Part No. 140 216	Part No. 140 316

	<b>NT 16</b>	<b>NT 25</b>
<b>TRIVAC NT 16 + NT 25</b>	Part No. 140 220	Part No. 140 330
	Part No. 140 231 Part No. 140 232 Part No. 140 233, Part No. 140 234, Part No. 140 235	Part No. 140 336 Part No. 140 337 Part No. 140 338 Part No. 140 339 Part No. 140 340
	Part No. 140 241	Part No. 140 341
	Part No. 140 221 Part No. 140 222 Part No. 140 223 Part No. 140 224 Part No. 140 225	Part No. 140 331 Part No. 140 332 Part No. 140 333, Part No. 140 334 Part No. 140 335

Ref. No. 1- or 3-ph	Motor voltage (V)	Frequency (Hz) ± 5%	Voltage range (V)	Power (kW) / (HP)	Nominal current (A)	Size	Region
200 15 418 1 ~	220-240/230	50/60	± 5%	0.45/0.54	2.5/2.4	80	EURO
200 15 424 3 ~	Δ 200-240 / Y 346/415 Δ 200-266 / Y 346-460	50	± 5%	0.55	2.8 / 1.6	80	World
		60	± 5%	0.65	2.8 / 1.6	80	World
200 15 423 <sup>1)</sup> 1 ~	110-120 / 208-240	50/60	± 5%	0.49/0.55	6.8/5.6 3.4/2.8	80	Dual- Voltage
110 003 389 1 ~	100	50/60	± 5%	0.54/0.63	8.4/7.2	80	Japan

Ref. No. 1- or 3-ph	Motor voltage (V)	Frequency (Hz) ± 5%	Voltage range (V)	Power (kW) / (HP)	Nominal current (A)	Size	Region
E 110 002 715 <sup>2)</sup> 1 ~	95-120 / 190-252 95-120 / 190-242	50/60	± 5%	0.55 0.66	13.0 / 7.5 10.0 / 5.0	90	World
E 110 002 716 <sup>2)</sup> 1 ~	218-242	50/60	± 5%	0,45/0,55	5.0 / 5.5	90	EURO
E 110 002 717 <sup>2)</sup> 1 ~	95-105 / 95-120	50	± 5%	0.55	9.5	90	US/ Japan
		60	± 5%	0.66	10.0		
E 110 002 712 3 ~	200-240 / 380-415 200-240 / 380-460	50	± 10%	0.55	3.1-4.0 / 1.5-1.6	90	World
		60	± 10%	0.66	3.1 / 1.6		

<sup>1)</sup> A mains cord needs to be ordered additionally

<sup>2)</sup> For single phase models of the TRIVAC NT 16/25 a connector for the connection line is included in the delivery.  
Power supply cables with regional plugs need to be ordered separately