

Foreline Trap for Trivac Leybold D40B or D65B Rotary Vane Pumps

# FORELINE TRAPS

**oerlikon**  
leybold vacuum



## For Trivac Leybold D40B or D65B Rotary Vane Vacuum Pumps

Inlet NW/KF40

ISO Flange NW/KF40

Extend the Life of  
Your Vacuum Pump

Cut Maintenance Costs

Prevent System Downtime



D40B and D65B Leybold Series Pumps

### APPLICATIONS & EQUIPMENT

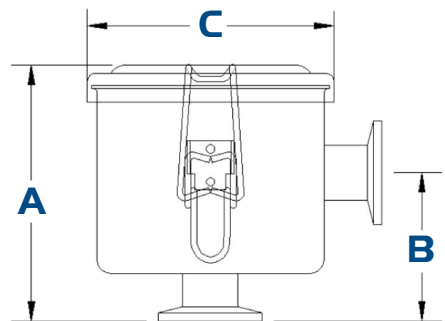
- Foreline traps serve to prevent containments from entering the pump and protect the system from pump fluid or particulate migration. **(Backstreaming)**
- Prevent Dry Scroll Tip Seal Dust Migration
- Trap Condensable Vapors
- Rotary Vane Pump Protection
- Mist removal for Gear Box Venting
- Semi-Conductor Industry

### FEATURES & SPECIFICATIONS

- **Interchangeable Cartridge** provides for clean easy maintenance
- **Vacuum Level:** Typically  $1.3 \times 10^{-3}$  mbar ( $1 \times 10^{-3}$  mmhg)
- **ISO NW Flange Standard:** Easy release clamp flanges for use in foreline vacuum applications
- **Durable Corrosive Resistant** nickel chrome finish which prevents outgassing
- **Fully-Drawn Housing** with positive engagement ring technology

### FILTER MEDIA

- **Polyester Media:** 99% Efficient to 5 Microns
- **Stainless Steel Wire Mesh:** Corrosive resistant media, with large surface area, traps condensed particles & oil vapors
- **Activated Carbon Granule** Stops both particulate matter, gas or vapor odors and contaminants
- **Activated Alumina:** Long media life span and is very effective in preventing backstreaming and in trapping water & acid vapors (Lewis acids, polar compounds & other acids)



FORELINE TRAP								
Parent Housing Without Media*	ISO Flg Inlet & Outlet	DIMENSIONS - inches			Rated Flow SCFM		Nominal Rating	Element Rating
		A	B	C				
P101861	\$130.25	NW25	4	2 3/16	3 3/4	18	25	
P101866	\$185.00	NW40	6 3/4	4 1/2	7 5/16	80	115	

Trivac D40B and D65B Pumps

\*Media Sold Separately

Trivac  
D40B and D65B  
Pumps

AVAILABLE MEDIA OPTIONS								
	Polyester Media		S.S. Wire Mesh		Activated Carbon		Activated Alumina	
NW25	P101862	\$140.00	P101863	\$183.00	P101864	\$165.45	P101865	\$130.25
NW40	P101867	\$205.00	P101885	\$283.00	P101868	\$275.68	P101869	\$284.00



To Our Website  
[idealvac.com](http://idealvac.com)

Ideal Vacuum Products, LLC  
2401B Phoenix Ave. NE  
Albuquerque, NM 87107  
Phone: (505) 872-0037  
[idealvac.com](http://idealvac.com) or [pchemlabs.com](http://pchemlabs.com)