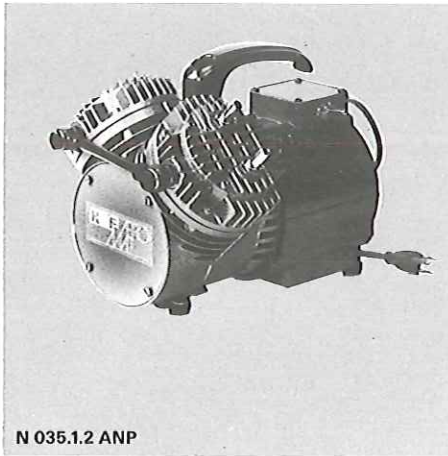


Twin Diaphragm Vacuum Pumps and Compressors N 035.1.2 ... P portable models / I installation models

Flow Capacity: 62 Std. liters/min. (2.2 scfm)
Max. Vacuum: 27 in. Hg
Max. Pressure: 60 psig continuous

.1.2 both sides in parallel



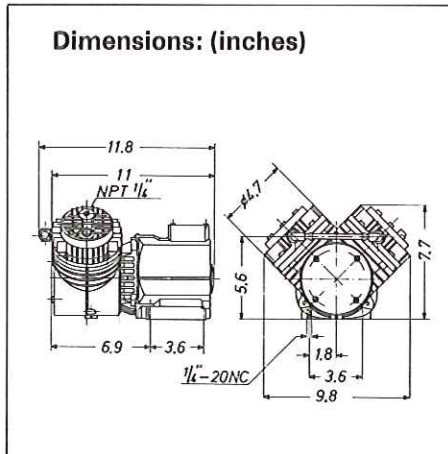
Pump Materials:

N035.1.2AN	Aluminum/Neoprene
N035.1.2AV ⁽¹⁾	Aluminum/Viton
N035.1.2AT ⁽²⁾	Aluminum/Teflon [®]
N035.1.2SN	Stainless steel/Neoprene
N035.1.2SV ⁽¹⁾	Stainless steel/Viton
N035.1.2ST ⁽²⁾	Stainless steel/Teflon [®]
N035.1.2TN	PVDF coated/Neoprene
N035.1.2TV ⁽¹⁾	PVDF coated/Viton
N035.1.2TT ⁽²⁾	PVDF coated/Teflon [®]

KNF Features

- 100% oil-free operation
- contamination-free pumping of air, gas, or vapor
- low noise operation
- minimum vibration
- corrosion-resistant versions - see KNF Type-Chart
- oversized bearings for long life
- trouble-free operation in any position
- diaphragm and valve plate changed easily in just minutes
- can be used as compressor or vacuum pump
- available with TEFC (IP-44) motor

Performance Characteristics



Technical Data:

Max. ambient operating temperature 105° F (40° C).
115 V, 60 Hz shaded pole electric motor (std.).
Current draw at max. load: 6.3 amps
Weight: 26 Lbs

Accessories:
Hose connector
Muffler

