

PSG050 / PSG051

Pirani Standard Gauge

The INFICON Pirani Standard Gauges PSG050 & PSG051 use the vacuum gauge controller VGC012 or VGC023 as operating units.

ADVANTAGES

- Measurement range 5×10^{-4} to 1000 mbar (3.75×10^{-4} to 750 Torr)
- Tungsten or platinum filament
- Temperature compensated 0 °C to 40 °C
- Constant filament temperature

PSG050:

- Aluminium sensing cell with tungsten filament
- Excellent temperature compensation

PSG050 1/8" NPT:

- Stainless steel sensing cell with tungsten filament

PSG051:

- Stainless steel sensor with platinum filament and ceramics feedthrough
- Well suited for corrosive processes and high levels of water vapour



OPERATING UNITS

- Vacuum Gauge Controller VGC012 / VGC023

ORDERING INFORMATION

Type	PSG050	PSG050 1/8" NPT	PSG051
DN 16 ISO-KF	399-500	–	399-502
1/8" NPT	–	399-501	–
Replacement sensor DN 16 ISO-KF	350-980	–	350-981

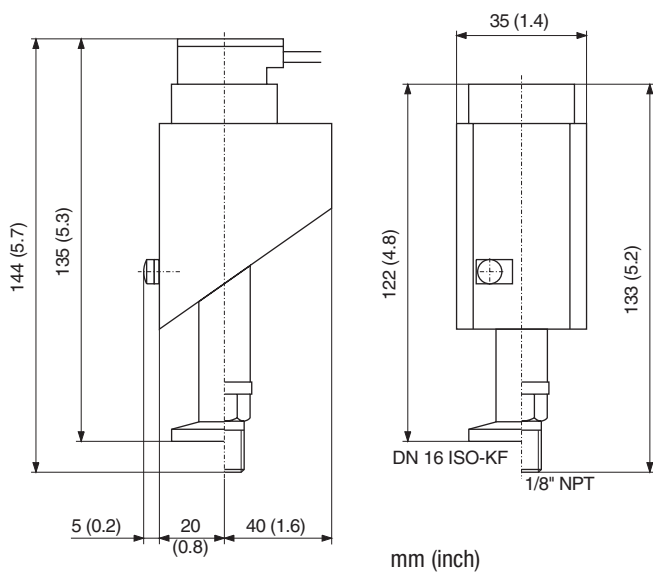
Ordering information for cables see Data Sheets of VGC012 / VGC023

SPECIFICATIONS

		PSG050	PSG050 1/8" NPT	PSG051
Measurement range	mbar (Torr)	$5 \times 10^{-4} \dots 1000$ ($3.75 \times 10^{-4} \dots 750$)		
Temperature				
Operation (ambient)	°C	0 ... +40	0 ... +40	0 ... +40
Storage	°C	80	80	80
Filament		tungsten	tungsten	platinum
Filament temperature	°C	110	110	110
Pressure, max. (absolute)	bar	3	3	10
Internal volume	cm ³	11	11	10
Vacuum connection		DN 16 ISO-KF	1/8" NPT	DN 16 ISO-KF
Materials exposed to vacuum		tungsten, aluminum, nickel-plated steel, stainless steel, NiFe, glass CrNi, epoxy cement	tungsten, stainless steel, NiFe, glass, CrNi, epoxy cement	platinum, stainless steel, CrNi, AL ₂ O ₃ , NiFe

Additional specifications see Data Sheets and Operating Manuals VGC012 / VGC023

DIMENSIONS



GLOBAL HEADQUARTERS:

Two Technology Place, East Syracuse, NY 13057 USA
 Tel: +1.315.434.1100 Fax: +1.315.437.3803 E-mail: reachus@inficon.com

UNITED STATES FRANCE GERMANY LIECHTENSTEIN SWITZERLAND UNITED KINGDOM CHINA JAPAN KOREA SINGAPORE TAIWAN

Visit our website for contact information and other sales offices worldwide. www.inficon.com
 Due to our continuing program of product improvements, specifications are subject to change without notice.
 tiba20e1-a (2008-05) ©2008 INFICON