

# nXRi HIGH PERFORMANCE COMPACT DRY VACUUM PUMP

edwardsvacuum.com

Edwards has revolutionised the vacuum pump market with the new nXRi high performance, compact dry pump. It delivers unrivalled pumping speeds in the most compact package, with pumping speeds of 30 to 120 m<sup>3</sup>h<sup>-1</sup>. The nXRi's lower input power and zero maintenance create real performance improvements and cost benefits across a range of applications.

Analytical Instrument OEMs benefit from the ease of integration into most vacuum systems for a ready to go vacuum solution, perfect for mass spectrometry, electron microscopy and leak detection. R&D and Industrial customers will enjoy the design flexibility, oil-free and low maintenance features.



Compact footprint  
**Optimise your space!**

Unrivalled performance  
**When you need it!**

Energy efficiency  
**Reduce your costs!**

Zero contamination  
**Experience the difference!**

## Features and benefits

- 1 Designed with size in mind, the compact footprint and height allow the nXRi dry pump to fit easily under a benchtop saving valuable space in your laboratory; and at under 30kg offers a highly portable vacuum pump for changing work flows and environments.
- 2 When performance matters look no further than the nXRi dry pump, with pumping speed performance of 30 to 120 m<sup>3</sup>h<sup>-1</sup> from our most compact footprint. It delivers six times more pumping speed than similar sized dry pumps, and with low ultimate and high reliability you are assured a consistent and stable vacuum for years to come.
- 3 For reduced power consumption look no further than the Edwards nXRi dry pump, optimised to low power for lower energy costs and reduced heat load from your vacuum equipment.
- 4 Clean processes and clean results are guaranteed with the nXRi compact dry pump, being totally oil-free and dust-free within the vacuum chamber. Being free of oil, smells and particulates guarantees a more pleasant working environment.

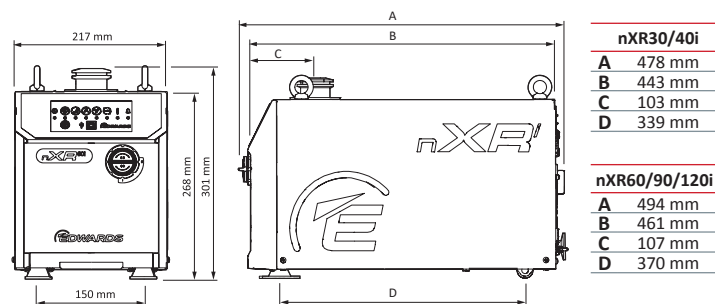
**Technical data**

<b>Peak pumping speed</b>	
nXR30i	30 m <sup>3</sup> h <sup>-1</sup>
nXR40i	40 m <sup>3</sup> h <sup>-1</sup>
nXR60i	60 m <sup>3</sup> h <sup>-1</sup>
nXR90i	90 m <sup>3</sup> h <sup>-1</sup>
nXR120i	120 m <sup>3</sup> h <sup>-1</sup>
<b>Ultimate vacuum (total pressure)</b> 0.03 mbar (0.022 Torr)	
<b>Inlet flange</b>	
nXR30/40i	NW25
nXR60/90/120i	NW40
<b>Outlet flange</b>	
All variants	NW25
<b>Maximum permitted outlet pressure</b>	
nXR30/40/60/90/120i	0.2 bar gauge
<b>Maximum continuous inlet pressure</b>	
nXR30-90i	1013 mbar
nXR120i	20 mbar
<b>Operating temperature range</b> +5 to +40°C (+41 to +104°F)	
<b>Nominal rotational speed</b> 15000 rpm	
<b>Voltage input</b> 100-127/200-240 V (+/-10%), switchable	
<b>Mains frequency</b> 50/60 Hz	
<b>Power connector 1-ph</b> IEC EN60320 C19	
<b>Power at ultimate</b> 450 W	
<b>Leak tightness</b> < 1x10 <sup>-6</sup> mbar ls <sup>-1</sup>	
<b>Weight</b>	
nXR30/40i	27 kg (60 lbs)
nXR60/90/120i	29 kg (64 lbs)
<b>Noise at ultimate vacuum</b> 55 dB(A)	
<b>Vibration at inlet flange</b> < 2.0 mm/s	

**Ordering information**

Product description	Order number
nXR30i NW25 Multi Stage Roots Dry Pump 100-127/200-240V 50/60 Hz	A90301983
nXR40i NW25 Multi Stage Roots Dry Pump 100-127/200-240V 50/60 Hz	A90401983
nXR60i NW40 Multi Stage Roots Dry Pump 100-127/200-240 V, 50/60 Hz	A90502983
nXR90i NW40 Multi Stage Roots Dry Pump 100-127/200-240 V, 50/60 Hz	A90602983
nXR120i NW40 Multi Stage Roots Dry Pump 100-127/200-240V 50/60 Hz	A90702983

**Dimensions**

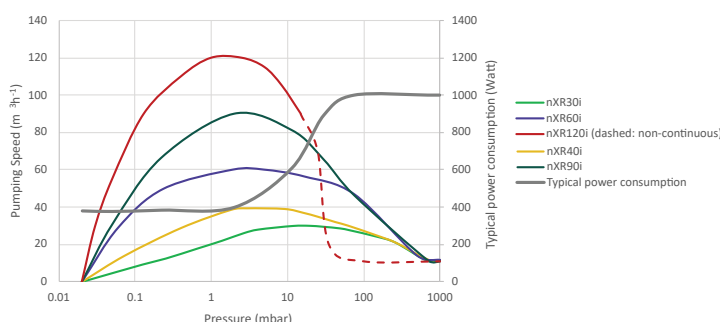


nXR30/40i	
A	478 mm
B	443 mm
C	103 mm
D	339 mm

nXR60/90/120i	
A	494 mm
B	461 mm
C	107 mm
D	370 mm

**Pumping performance**



**Accessories**

Product description	Order number
2m electrical supply cable, NEMA 5-15P, North America/Japan (100-120 V)	A50507003
2m electrical supply cable, NEMA 6-15P, North America (200-240 V)	A50507006
2m electrical supply cable, UK, three pin plug	A50505003
2m electrical supply cable, Europe	A50506003
2m electrical supply cable, China	A50509003
Gas ballast blank plug	A73501806
Gas ballast adaptor for inert gas (1/4" quick connect)	A73501811
Floor/cart mounting kit	A90590000

**GLOBAL CONTACTS**

Publication Number: 3601 0601 01

© Edwards Limited 2021. All rights reserved. Edwards and the Edwards logo are trademarks of Edwards Limited.

Whilst we make every effort to ensure that we accurately describe our products and services, we give no guarantee as to the accuracy or completeness of any information provided in this datasheet.

Edwards Ltd, registered in England and Wales No. 6124750, registered office: Innovation Drive, Burgess Hill, West Sussex, RH15 9TW, UK.

**EMEA**

<b>UK</b>	+44 (0) 1444 253 000 (local rate) 0845 921 2223
<b>Belgium</b>	+44 1293 60 3350
<b>France</b>	+33 1 4121 1256
<b>Germany</b>	0800 000 1456
<b>Italy</b>	+39 02 48 4471
<b>Israel</b>	+972 8 681 0633
<b>Russia</b>	+7 495 933 55 50 Ext. 1800/1803 +8 800 775 80 99

**ASIA PACIFIC**

<b>China</b>	+86 400 111 9618
<b>India</b>	+91 20 4075 2222
<b>Japan</b>	+81 47 458 8836
<b>Korea</b>	+82 31 716 7070
<b>Singapore</b>	+65 6546 8408
<b>Taiwan</b>	+886 3758 1000

**AMERICAS**

<b>USA</b>	+1 800 848 9800
<b>Brazil</b>	+55 11 3952 5000

