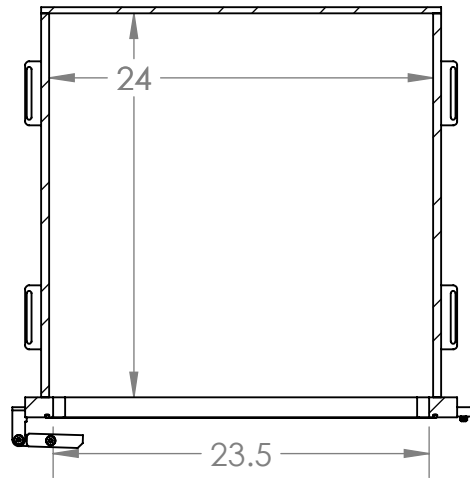
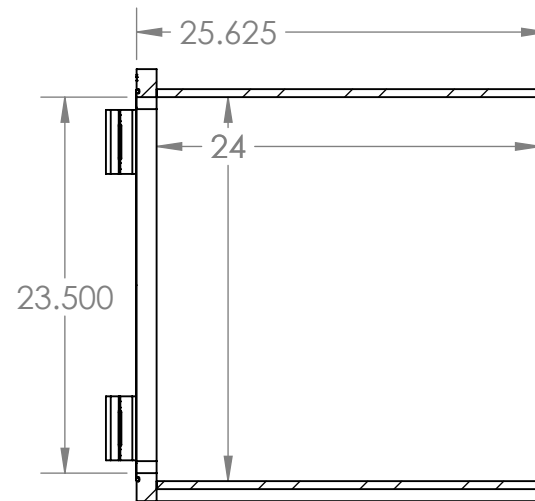
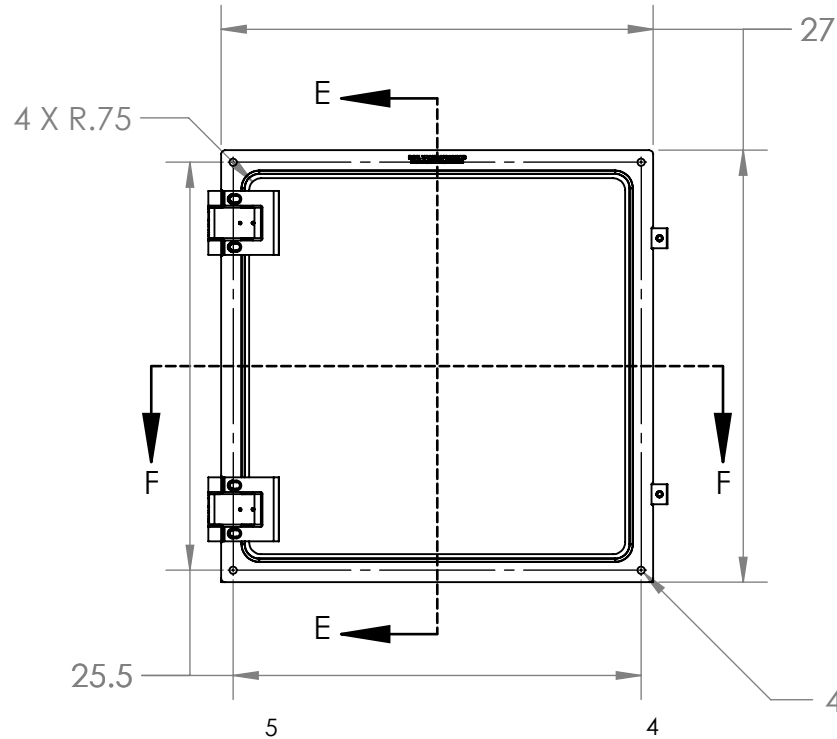
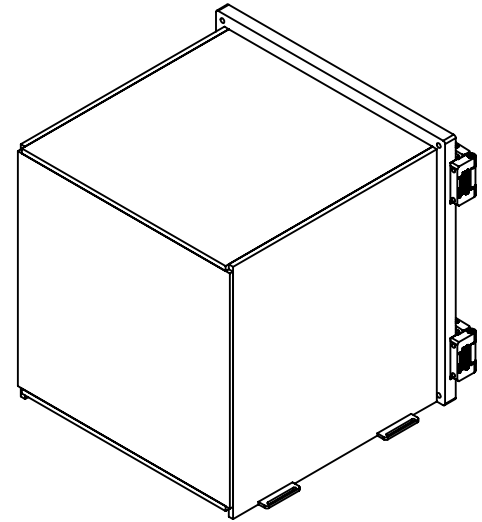
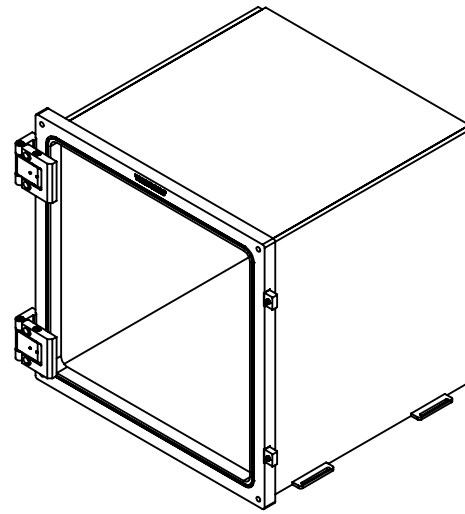


24" WELDED CHAMBERS - BASIC DIMENSIONS



SECTION F-F



SECTION E-E

4X 1/2-20 UNF THRU ALL

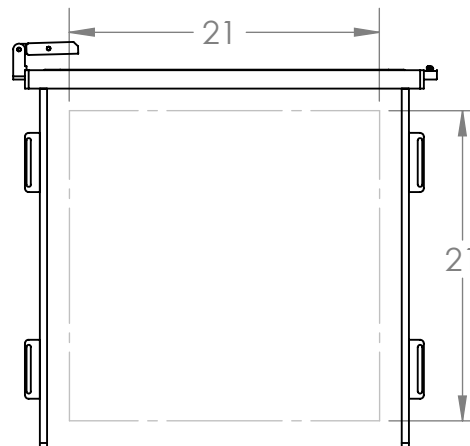
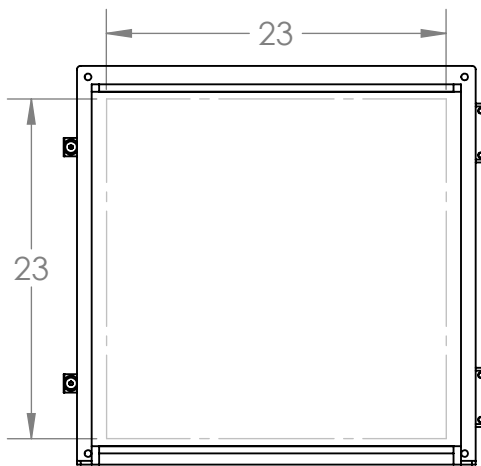
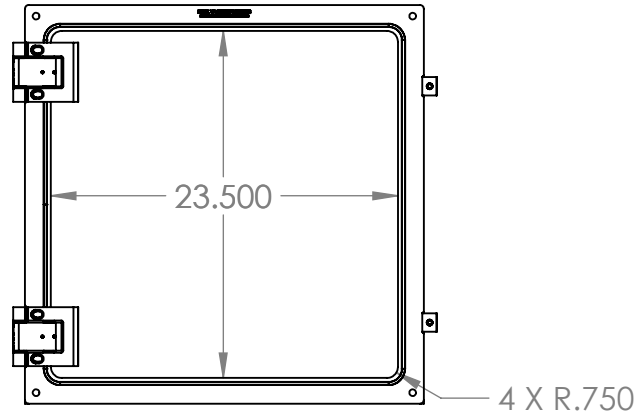
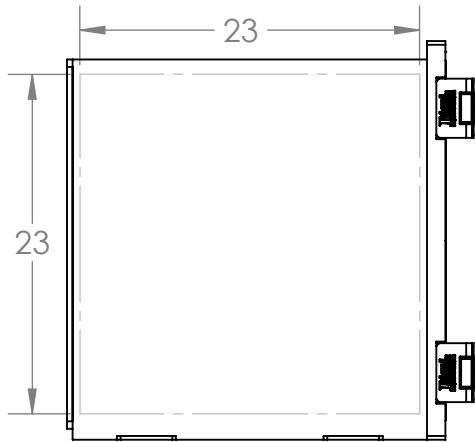
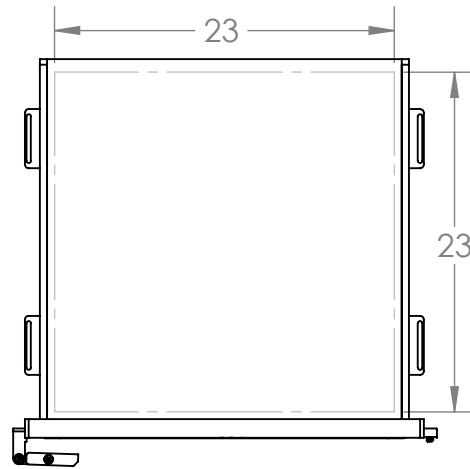


| | | | | | |
|----------|-----|--------|-----|-----|------|
| CAD REV. | X.4 | ANGLES | .X | .XX | .XXX |
| DWG REV. | X | .5 | .02 | .01 | .005 |
| | | ± ° | ± | ± | ± |

DASHED LINES INDICATE PORT-ABLE AREA.

PLEASE KEEP ALL PORTS ENTIRELY WITHIN THESE LINES UNLESS OTHERWISE APPROVED BY IDEAL VACUUM.

MARK SIDES OF CHAMBER WITH CIRCLE, PORT TYPE, AND RELEVANT DIMENSIONS TO INDICATE PORTING CHOICE.



4 X R.750

24" CHAMBERS - STANDARD PORTS AND SIZES:

KF:

- KF-10: 1.2" DIAMETER
- KF-16: 1.2" DIAMETER
- KF-25: 1.6" DIAMETER
- KF-40: 2.2" DIAMETER
- KF-50: 3.0" DIAMETER

CF:

- CF 1.333": 1.4" DIAMETER
- CF 2.125": 2.2" DIAMETER
- CF 2.750": 2.8" DIAMETER
- CF 3.375": 3.4" DIAMETER
- CF 4.500": 4.5" DIAMETER
- CF 4.625": 4.7" DIAMETER

NW:

- NW-63 : 3.80" DIAMETER
- NW-80 : 4.40" DIAMETER
- NW-100: 5.20" DIAMETER
- NW-160: 7.10" DIAMETER
- NW-200: 9.50" DIAMETER
- NW-250: 11.5" DIAMETER
- NW-320: 14.6" DIAMETER
- NW-400: 17.8" DIAMETER

NPT:

- 1/8" : .7" DIAMETER
- 1/4" : .8" DIAMETER
- 3/8" : .9" DIAMETER
- 1/2" : 1.1" DIAMETER
- 3/4" : 1.4" DIAMETER

1" :

- 1.8" DIAMETER
- 1-1/4" : 2.3" DIAMETER
- 1-1/2" : 2.6" DIAMETER
- 2" : 3.0" DIAMETER
- 2-1/2" : 3.8" DIAMETER
- 3" : 4.3" DIAMETER

ASA:

- ASA 1.0" : 4.3" DIAMETER
- ASA 1.5" : 5.0" DIAMETER
- ASA 2.0" : 6.0" DIAMETER
- ASA 3.0" : 7.5" DIAMETER
- ASA 4.0" : 9.0" DIAMETER
- ASA 6.0" : 11." DIAMETER

THROUGH HOLE:

SPECIFY A DIAMETER AND A TOLERANCE



| | | | | | |
|----------|------|---|-------|-------|--------|
| SCALE | 1:13 | UNLESS OTHERWISE SPECIFIED DIMENSIONS ARE IN INCHES | | | |
| CAD REV. | X.4 | ANGLES | .X | .XX | .XXX |
| DWG REV. | X | ± .5° | ± .02 | ± .01 | ± .005 |

5

4

3

2

1