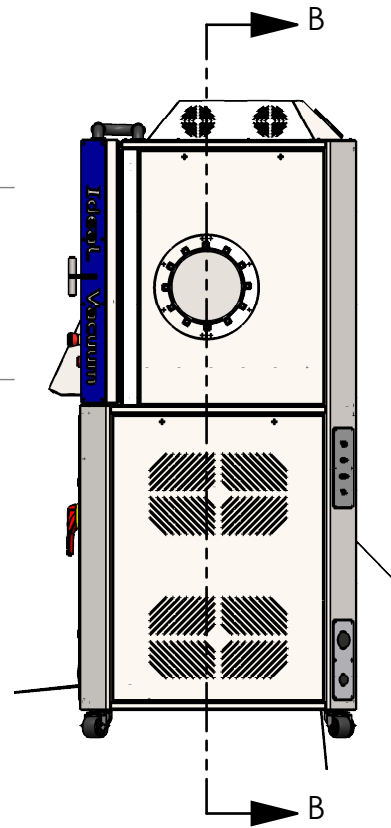
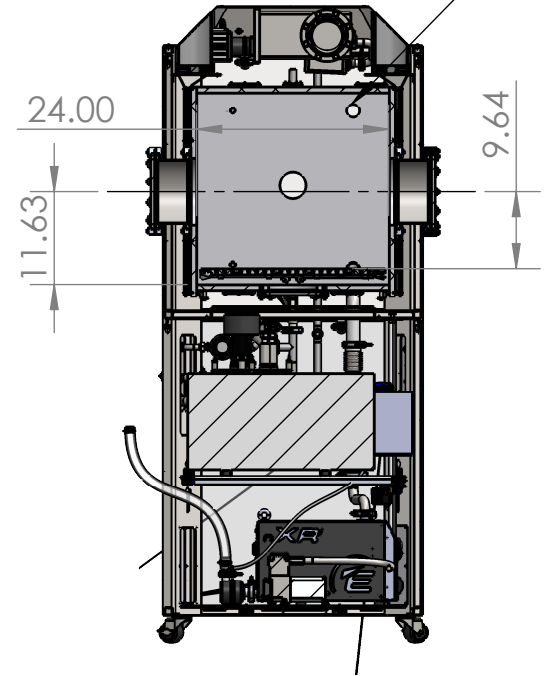


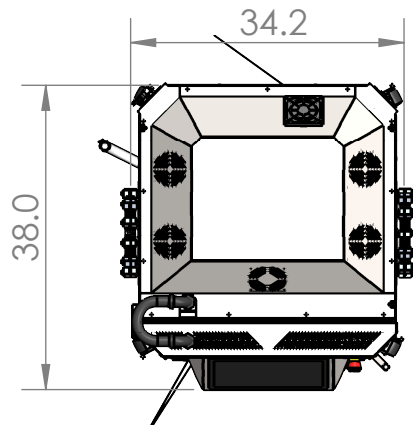
SECTION A-A



Feedthrough for 4 type k sampel TCs included with platen or chamber heating



SECTION B-B



SCALE	1:24	UNLESS OTHERWISE SPECIFIED DIMENSIONS ARE IN INCHES			
CAD REV.	C	ANGLES	.X	.XX	.XXX
DWG REV.		± .5°	± .02	± .01	± .005