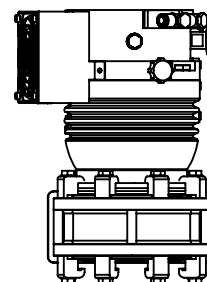
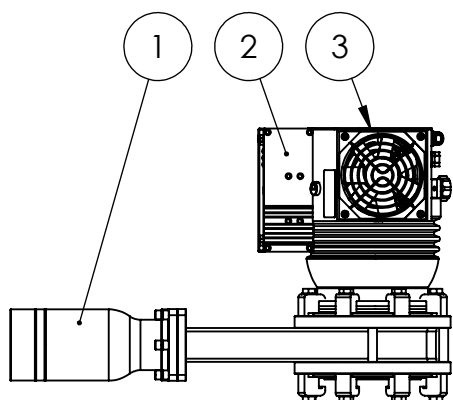
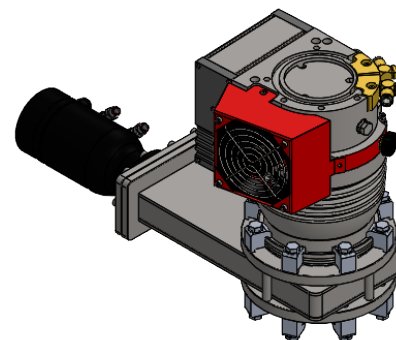
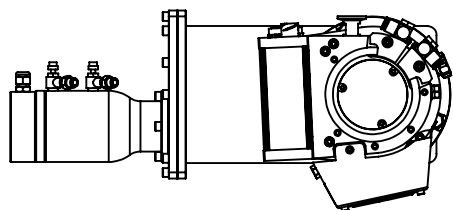


| ITEM | DESCRIPTION | INCLUDED WITH | OPTION PART NUMBER(S) |
|------|---|----------------------|-----------------------|
| 1 | ISO-100 PNEUMATIC GATE VALVE | HIPACE 300 TURBO KIT | VC-13-005 |
| 2 | HIPACE 300 TURBO WITH RS-232 CONTROLLER | | |
| 3 | TURBO COOLING FAN KIT | | |



TURBO LOCATED ON TOP OF CHAMBER

TURBO KIT INCLUDES ALL FITTINGS, HARDWARE, CABLES, AND ELECTRONIC CONTROL COMPONENTS FOR EXPLORAVAC TURNKEY SYSTEM INTEGRATION.

Ideal Vacuum Products
ExploraVac HiPace 300 Turbo Kit

| | | |
|------------------|--------------------|----------------------------|
| SIZE A | Part No: VC-13-005 | SCALE: 1:8 SHEET 1 OF 1 |
|------------------|--------------------|----------------------------|