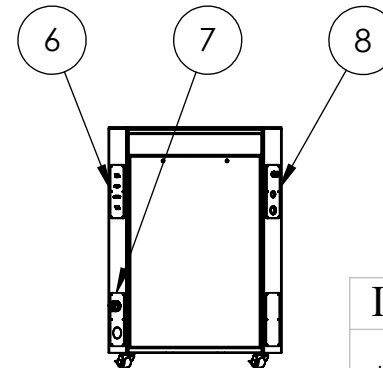
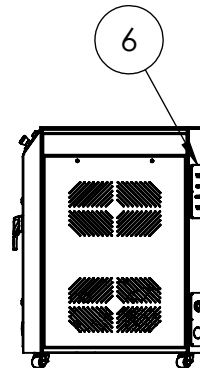
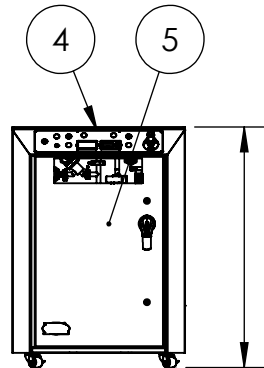
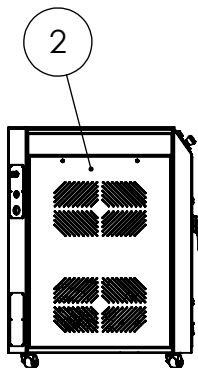
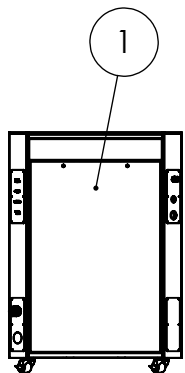
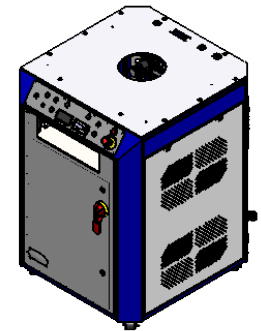
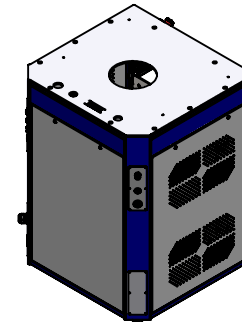
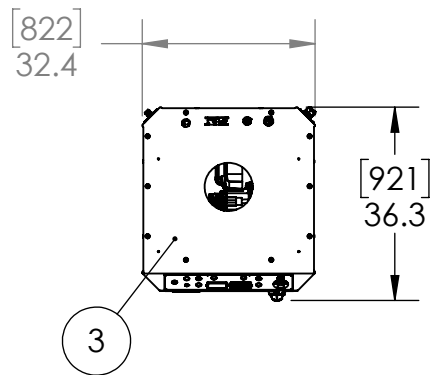


ITEM	DESCRIPTION	INCLUDED WITH	OPTION PART NUMBER(S)
1	REMOVABLE REAR PANEL	BASE SYSTEM	VC-13-000
2	REMOVABLE SIDE PANEL		
3	TOP PLATE		
4	EXPLORAVAC BUTTON CONTROL PANEL	EXPLORAVAC BUTTON PANEL	VC-13-052
5	EXPLORAVAC CONTROL BOX	EXPLORAVAC ELECTRONIC CONTROL	VC-13-051
6	ELECTRICAL CONNECTOR BULKHEAD		
7	POWER CABLE BULKHEAD	EXPLORAVAC AC POWER KIT	VC-13-048, VC-13-049, VC-13-050
8	EXHAUST/VENT/PURGE BULKHEAD	EXPLORAVAC EXHAUST/VENT KIT	VC-13-012



[1146]  
45.1

## Ideal Vacuum Products

ExploraVac Base System.  
Includes frame, hardware, and  
panels.

SIZE

**A**

Part No: VC-13-000

SCALE: 1:36

SHEET 1 OF 1

5

4

3

2

1