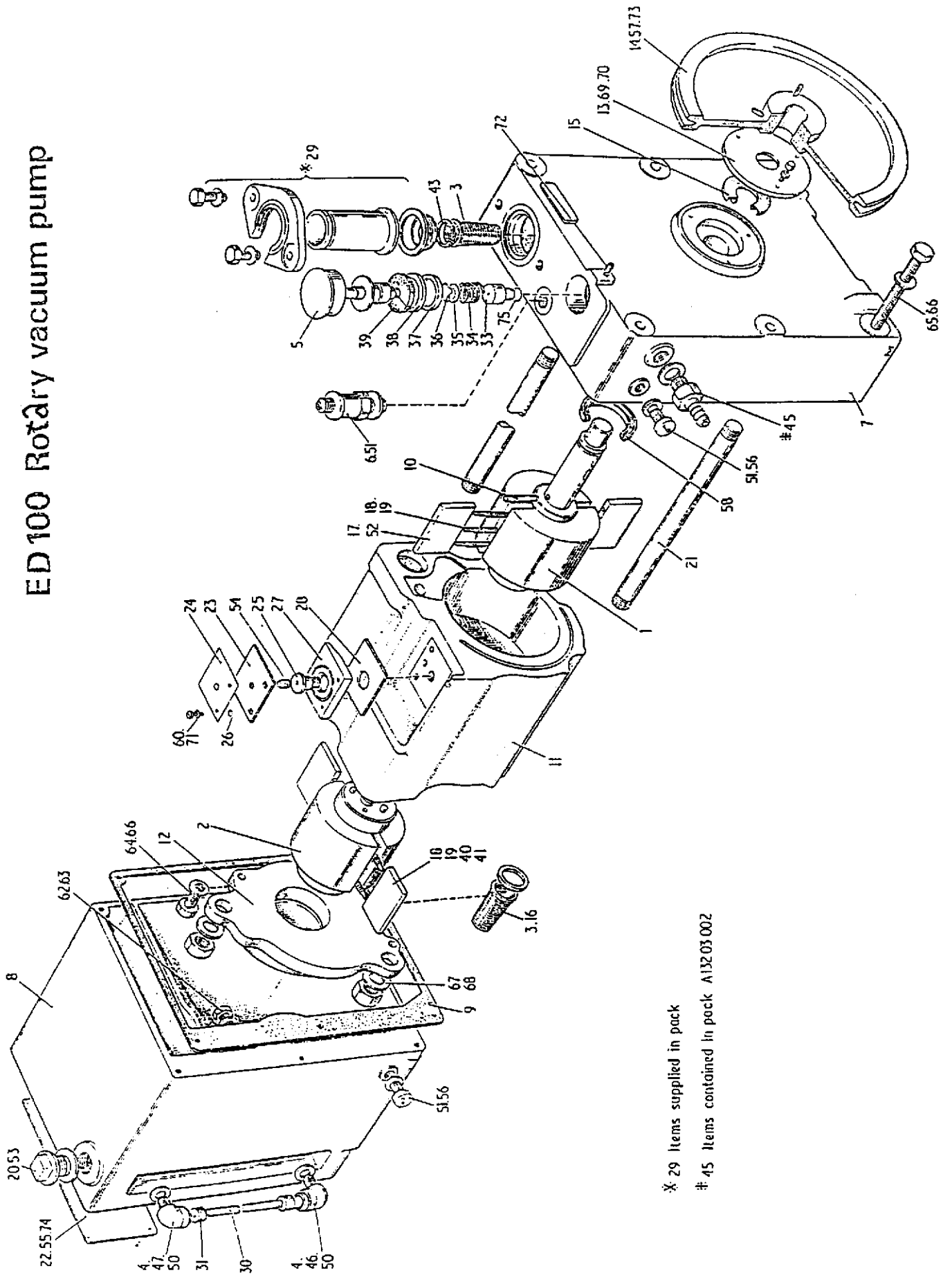


ED 100 Rotary vacuum pump



* 29 Items supplied in pack

45 Items contained in pack A13203.002

EO100 Rotary vacuum pump

Item	Code No.	Component	Quantity
39	A906-39	Ballant filter	1
40	A307-44	High vacuum blade, Ferobestos (see also item 41)	2
41	A204-02-039	H.V. blade, Tufnol (alternative to item 40)	2
42			
43	A224-26-002	Circlip	1
44			
45	A132-03-002	Polythene pack (not shown) #	1
46	A1403-82	'Minimum' oil indicator	1
47	A1403-83	'Maximum' oil indicator	1
48			
49			
50	H2105-8	O-ring	2
51	A2104-1	Seal - 1/16in BSP	3
52	A204-02-037	L.V blade, Tufnol (alternative to item 17)	2
53	A900-83	Seal, nylon - 1/16in BSP	1
54	A980-13	Vent plug	1
55	A200-01-016	Label (USA)	1
56	A7014-12	1/16in BSP plug	2
57	A906-69	Key	1
58			
59	A307-34	Oil seal	1
60			
61		Washer 4BA	2
62		Shakeproof washer 5/16in BSP	2
63		Locknut 5/16in BSP	2
64		Screw 1/16in BSF x 1/16in long	2
65		Screw, 1/16in BSF x 2 1/2in long	6
66		Shakeproof washer, 1/16in BSF	8
67		Nut, 1/16in BSF	3
68		Washer, 1/16in BSF	3
69		Screw, 4BA x 1/16in long	3
70		Shakeproof washer, 4BA	3
71		Screw, 4BA x 1/16in long	2
72		Grub screw, 4BA x 1/16in long	1
73		Grub screw, 2BA x 5/16in long	1
74	A9402-40	Label rivets	4
75	H2105-115	O-ring	1

Item	Code No.	Component	Quantity
1	A003-08-013	Rotor assembly	1
2	A307-25	High vacuum rotor assembly	1
3	A1403-26	Filter assembly	2
4	A906-53	Sight glass connector	2
5	A906-51	Ballast valve assembly	1
6	A3301	Relief valve	1
7	A003-08-014	Front cover	1
8	A309-1	Oil box	1
9	A307-9	Oil box gasket	1
10	A906-44	Oil pump blade	1
11	A307-3	Stator	1
12	A307-5	End cover	1
13	A109-8	Seal plate	1
14	A307-42	Pulley	1
15	A021-09-029	'Spiroseal'	1
16	A1403-30	Filter seal	1
17	A307-48	Low vacuum blade, Ferobestos (see also item 52)	2
18	A307-46	Blade spring	5
19	A077-02-040	Spring support	5
20	A7014-10	1/16in BSP plug	1
21	A307-32	Stud	3
22	A200-01-015	Label (U.K.)	1
23	A308-3	Distributor rubber	1
24	A308-4	Distributor spring	1
25	A307-11	Distributor valve screw	1
26	A307-12	Distributor spacer	2
27	A307-10	Distributor valve	1
28	A003-08-016	Valve rubber	1
29	C105-20-001	25 KF x 20 tube pack *	1
30	A307-27	Sight glass	1
31	A506-58	End cap	2
32			
33	A906-70	Ballast restrictor	1
34	A906-49	Ballast spring	1
35	A906-50	Retaining plate	1
36	A906-38	Air ballast valve plate	1
37	A906-55	Ballast seal	1
38	A906-56	Ballast seal retainer	1

SPARES KIT FOR ED150

<u>CODE NUMBER</u>	<u>DESCRIPTION</u>	<u>QTY</u>
A005-09-008	DISTRIBUTOR SPRING	1
A005-09-009	BLADE SPRING HV	2
A007-14-012	½" DRAIN PLUG	1
A009-06-058	OIL SIGHT GLASS END	2
A014-03-022	OIL BOX GASKET	1
A014-03-025	LID GASKET	1
A014-03-026	OIL FILTER ASSY	2
A014-03-030	OIL FILTER SEAL	1
A014-03-031	OIL PUMP BLADE	1
A014-03-032	OIL SIGHT GLASS	1
A014-03-041	DISTRIBUTOR RUBBER	1
A014-03-049	BLADE SPRING PIN LV	2
A014-03-050	VALVE RUBBER LV	1
A014-03-056	SHAFT SEAL RUBBER	2
A014-03-060	DISTRIBUTOR GASKET	1
A014-03-091	BLADE LV	2
A014-03-092	BLADE HV	2
A014-05-003	VALVE RUBBER HV	1
A014-05-004	BLADE SPRING LV	2
A077-02-040	BLADE SPRING PIN HV	2
A098-00-078	¾" SELON WASHER	1
H021-25-006	VOR 0010 'O' RING	1
H021-25-008	VOR 0011 SIGHT GLASS SEAL	2
H021-04-001	½" BSP MK 'A' DOWTY SEAL	1
H021-25-011	VOR 0111 BALLAST PISTON SEAL	1
H021-25-025	VOR 0215 FLANGE SEAL	1
H021-25-114	VOR 1114 BALLAST BODY SEAL	1
H021-09-009	OIL SEAL (REF 46843)	1
H038-00-005	VEE BELT 38A	1

GROUP 3 ROTARY PUMP

RECOMMENDED LIST OF SPARES

TYPE ED660 - CODE NO A098-02-800

<u>CODE NO</u>	<u>DESCRIPTION</u>	<u>QTY</u>
A005-09-005	3/4" BSP Nylon Plug	1
A014-03-088	G/B Valve Screw Washer	2
A077-02-040	Blade Spring Pin	5
A098-00-015	Spring Support Pin	3
A098-00-016	Blade Spring	3
A098-00-018	Valve Rubber LV	1
A098-00-020	Valve Rubber	1
A098-00-022	Filter Assy	1
A098-00-040	Oil Pump Blade	1
A098-00-041	Oil Box Gasket	1
A098-00-042	Lid Gasket	1
A098-00-043	Front Cover Seal	1
A098-00-059	Oil Seal	1
A098-00-065	Sight Glass	1
A098-00-066	Sight Glass Cap	2
A098-00-070	Distributor Gasket	1
A098-00-077	Drain Plug Seal	2
A098-00-078	Filler Plug Seal	1
A098-00-083	Nozzle Seal	1
A098-00-084	Distributor Valve	1
A098-00-088	Ferobestos Blade	2
A098-00-089	Ferobestos Blade	2
A271-59-607	Seal Housing Gasket	1
H021-04-001	Dowty Seal	2
H021-09-037	Spiro Seal (New Front Cover)	1
H024-25-012	'O' Ring	1
H021-25-013	Inlet Tube 'O' Ring	1
H021-25-146	Union 'O' Ring	1
H021-25-161	Inlet Flange 'O' Ring	1
H038-00-010	Vee Belt A51	2
MO12-00-013	Blade Spring	5
MO12-00-034	Spring (Distributor)	1