

Instruction Manual

EXDC Turbomolecular Pump Drive Modules

Description

Item Number

EXDC80 Turbomolecular Pump Drive Module

D396-40-000

EXDC160 Turbomolecular Pump Drive Module

D396-41-000



Declaration of Conformity

We, BOC Edwards,
Manor Royal,
Crawley,
West Sussex RH10 2LW, UK

declare under our sole responsibility that the product(s)

EXDC80 Drive Modules	D396-40-000
	D396-40-508
	D396-40-800

EXDC160 Drive Modules	D396-41-000
	D396-42-508
	D396-42-800

to which this declaration relates is in conformity with the following standard(s)
or other normative document(s)

EN61010-1:2001	Safety Requirements for Electrical Equipment for Measurement, Control and Laboratory Use.
EN61326:1997 + A1:1998 + A2:2001 (Class B Emissions)	Electrical Equipment for Measurement, Control and Laboratory Use - EMC Requirements.
CSA C22.2 No. 0 UL3101.1	General Requirements - Canadian Electrical Code Part II Electrical Equipment for Laboratory Use. Part I: General Requirements.

following the provisions of

73 / 023 / EEC	Low Voltage Directive.
89 / 336 / EEC	Electromagnetic Compatibility Directive.



Dr. J.D. Watson, Director of Technology, VEMD

14 JUNE 2005 BURGESS HILL

Date and Place

This product has been manufactured under a quality system registered to ISO9001

CONTENTS

Section	Title	Page
1	INTRODUCTION	1
1.1	Scope and definitions	1
1.2	Description	2
1.3	Logic interface	2
1.4	Indicator LEDs	2
2	TECHNICAL DATA	4
2.1	Operating and storage data	4
2.2	Mechanical data	4
2.3	Electrical data	4
3	INSTALLATION	7
3.1	Unpack and inspect	7
3.2	Adjust the electrical connector position (optional)	7
3.3	Fit the EXDC to the EXT pump	7
3.4	Electrical connections	8
3.4.1	Introduction	8
3.4.2	Connect the logic interface to your control equipment	8
3.4.3	Connect the electrical supply	10
4	OPERATION	11
4.1	Start-up	11
4.2	Operation with high inlet pressure or temperature	11
4.3	Normal shutdown	12
4.4	Shut down due to pump under or over-speed	12
4.5	Electrical supply failure	13
5	MAINTENANCE	14
5.1	Introduction	14
5.2	EXDC LED fault finding	14
6	STORAGE AND DISPOSAL	15
6.1	Storage	15
6.2	Disposal	15
	RETURN OF BOC EDWARDS EQUIPMENT	

Illustrations

Figure	Title	Page
1	The EXDC	3
2	Dimensions (mm)	5
3	Schematic diagram of the logic interface connections	9

Tables

Table	Title	Page
1	Logic interface connector pins	8
2	EXDC LED fault finding	14

Associated Publications

Publication Title	Publication Number
EXT Pump Accessories	B580-66-880
EXT70 and EXT250 Turbomolecular Pumps	B722-01-880
EXT351 and EXT501 Turbomolecular Pumps	B727-20-880
EXT70H, EXT70Hi, EXT250H and EXT250Hi	
Compound Molecular Pumps	B740-01-880
EXT255H and EXT255Hi	
Compound Molecular Pumps	B753-03-880

1 INTRODUCTION

1.1 Scope and definitions

This manual provides installation, operation and maintenance instructions for the BOC Edwards EXDC80 and EXDC160 Turbomolecular Pump Drive Modules (abbreviated to EXDC in the remainder of this manual). You must use the EXDC as specified in this manual. If you do not, the protection provided by the EXDC may be impaired, or you may damage the EXDC, or cause injury to people.

Read this manual before you install and operate the EXDC. Important safety information is highlighted as WARNING and CAUTION instructions; you must obey these instructions. The use of WARNINGS and CAUTIONS is defined below.

WARNING

Warnings are given where failure to observe the instruction could result in injury or death to people.

CAUTION

Cautions are given where failure to observe the instruction could result in damage to the equipment, associated equipment or process.

The units used throughout this manual conform to the SI international system of units of measurement.

In accordance with the recommendations of IEC1010, the following warning symbols appear on the EXDC:



Caution - refer to accompanying documents



Caution - hot surface.

1.2 Description

The EXDC controls the electrical supply for a BOC Edwards EXT70, EXT70H, EXT250, EXT255H, EXT351 or EXT501 turbomolecular pump.

The EXDC has no manual controls and can only be operated through the logic interface. To operate the EXT pump, you must therefore connect the EXDC to your own control equipment and electrical supply (see Figure 3).

Two models of EXDC are available, the only difference between the two models is the output power provided to the EXT pump: see Section 2.

1.3 Logic interface

The EXDC has a 9-way logic interface connector on the end of the logic interface cable (Figure 1, item 3). You must use a suitable connector mating half (not supplied) to connect the EXDC to your own equipment: refer to Section 2.3 for the connector mating-half type and to Section 3.4 for the electrical connections.

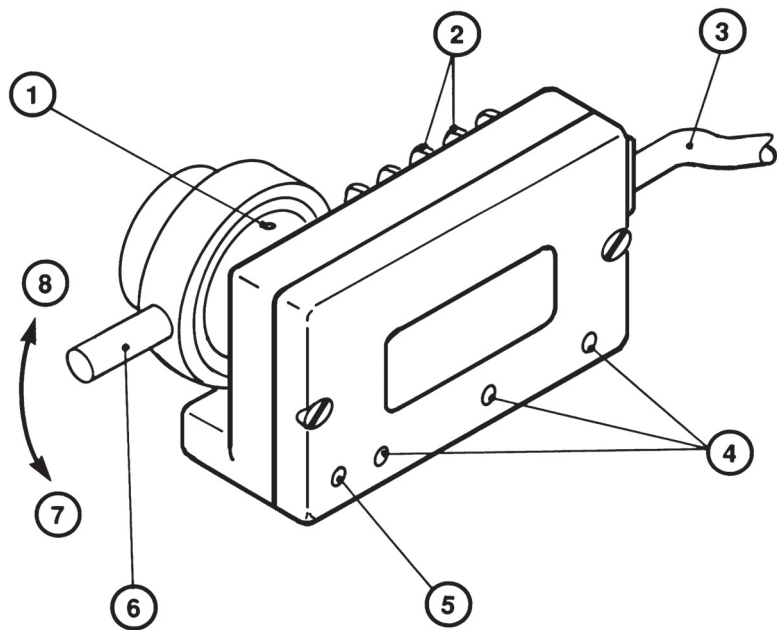
Refer to Table 1 and Figure 3 for detailed information about the logic interface connector pins and their uses.

1.4 Indicator LEDs

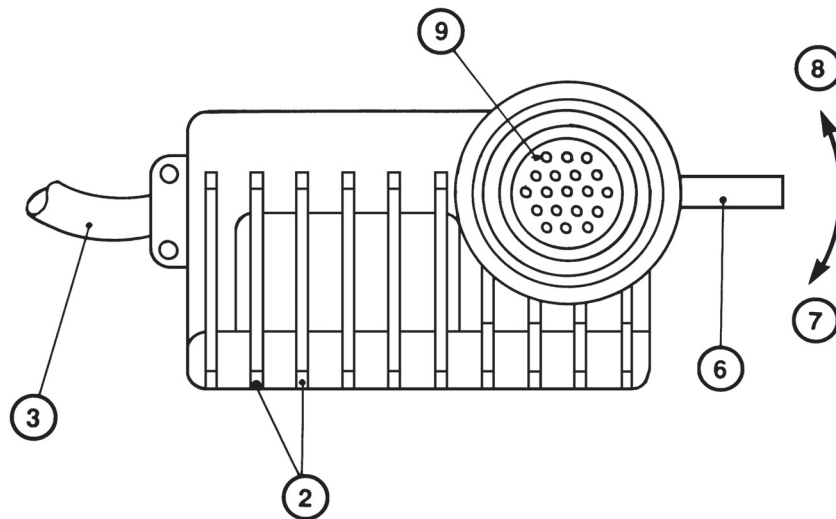
Refer to Figure 1. The EXDC has four indicator LEDs, as follows:

- | | |
|--------------------|--|
| Phase LEDs (4) | These red LEDs are on when the corresponding phase output to the EXT pump motor is on. |
| TMP Normal LED (5) | This green LED is on when the EXT pump is 80% or more of full rotational speed. |

You can use these LEDs as an aid to fault finding: refer to Section 5.2.



AGI2876/A



- | | |
|--------------------------|---------------------------|
| 1. Grub screw | 5. TMP Normal LED (green) |
| 2. Cooling fins | 6. Connector lock |
| 3. Logic interface cable | 7. Unlocked position |
| 4. Phase LEDs (red) | 8. Locked position |
| | 9. EXT pump connector |

Figure 1 - The EXDC

2 TECHNICAL DATA

2.1 Operating and storage data

Ambient operating temperature range	0 to 40 °C
Ambient storage temperature range	-20 to 70 °C
Maximum ambient operating humidity	10 to 95% RH (non-condensing to DIN 40040)
Maximum operating altitude	3000 m
Cooling	Natural convection
Radiated electromagnetic emission	EN50081-1
Electromagnetic immunity	EN50082-1

2.2 Mechanical data

Dimensions	See Figure 2
Mass	0.2 kg
Enclosure protection	IP20 (as defined by IEC529)
Pollution degree	IEC664, category 1

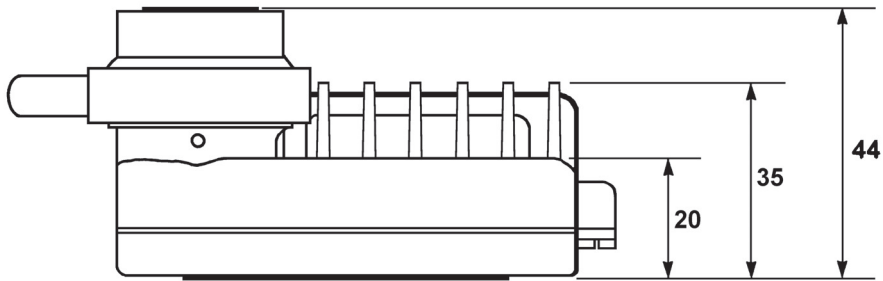
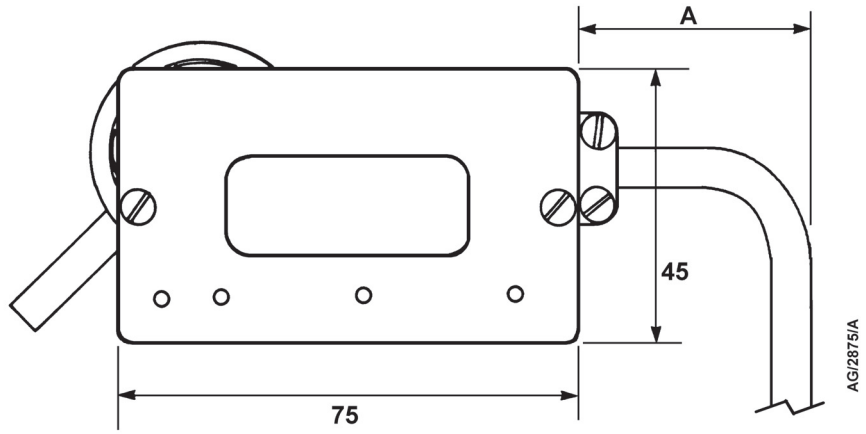
2.3 Electrical data

Electrical supply requirements

- The EXDC electrical supply must meet the requirements of IEC1010-1/C22.2 1010-1.
- The safety earth (ground) impedance must be $< 0.1 \Omega$.
- The EXDC 0 V is not referenced to earth (ground). Ensure that the electrical supply offers a path ($\leq 22 \text{ k}\Omega$) between 0 V and earth (ground).

Maximum continuous output power

EXDC80	80 W
EXDC160	160 W



A Cable bend radius (≥ 30)

Figure 2 - Dimensions (mm)

Logic interface	
Connector mating half *	9-way D-type male
EXDC electrical supply	
Allowable voltage range	70 to 85 V d.c.
Undervoltage lock-out voltage	> 63 V
Maximum voltage ripple	2 V r.m.s.
Fuse (or equivalent current limiting device) rating	3.15 A type 'T' IEC approved or 3.2 A time delay fuse UL/CSA approved
Maximum input current	1.1 A (EXDC80) 2.2 A (EXDC160)
Start/stop control input signal	
Start control voltage: low (close)	< 0.8 V d.c.
Stop control voltage: high (open)	4 to 24 V d.c.
Speed analogue output	
Output voltage	0 to +10 V d.c. (directly proportional to pump speed, that is 0 to 10 V \cong 0 to 100% of pump speed)
Output impedance	0.1 Ω
Minimum load	≥ 5 k Ω
TMP Normal status output	
Type	Open collector transistor
< 80 %	Off (pull up to 15 V d.c.)
≥ 80 %	On (< 0.8 V d.c.)
Rating	20 mA

* Not supplied

3 INSTALLATION

3.1 Unpack and inspect

Remove all packing materials and check the EXDC. If the EXDC is damaged, notify your supplier and the carrier in writing within three days; state the Item Number of the EXDC together with your order number and your supplier's invoice number. Retain all packing materials for inspection. Do not use the EXDC if it is damaged.

If the EXDC is not to be used immediately, store the EXDC in suitable conditions, as described in Section 6.

3.2 Adjust the electrical connector position (optional)

CAUTION

Do not turn the pump electrical connector more than 180° from its orientation as supplied. If you do, you may damage the wires inside the EXDC.

Refer to Figure 1. Use the following procedure to adjust the position of the EXT pump connector (9) and connector lock (6) with respect to the EXDC body.

1. Use a hexagonal key to loosen the grub screw (1).
2. Turn the connector (9) and lock (6) to the required orientation: you can turn the connector and lock up to 180° clockwise or anticlockwise.
3. Tighten the grub screw (1) to secure the connector and connector lock.

3.3 Fit the EXDC to the EXT pump

1. Refer to Figure 1. Look at the front of the EXDC (that is, with the LEDs (4, 5) towards you), then turn the connector lock (6) fully anticlockwise (in direction 7).
2. Fit the connector (9) directly to the pump to Controller connector on the EXT pump: refer to the EXT pump instruction manual.
3. Turn the lock (6) fully clockwise (in direction 8) to lock the connectors and secure the EXDC in position.

3.4 Electrical connections

3.4.1 Introduction

Use a suitable connector mating half (not supplied) to connect the electrical supplies and your control equipment to the connector on the logic interface cable (Figure 1, item 3). When you make the electrical connections to the EXDC described in the following sections, refer to Table 1 for full details of the logic interface connections and to Figure 3 for a schematic diagram of the connections.

Pin number	Signal	Polarity	Use
1	Start/Stop control input	-	Close * to start EXT pump.
2	TMP Normal status output	-	Closed * when EXT pump speed is 80% or more of full rotational speed.
3	Earth (ground)	-	
4	Pump speed analogue output	Positive	
5, 6	Electrical supply: 0 V	-	
7, 8	Electrical supply: 80 V	Positive	

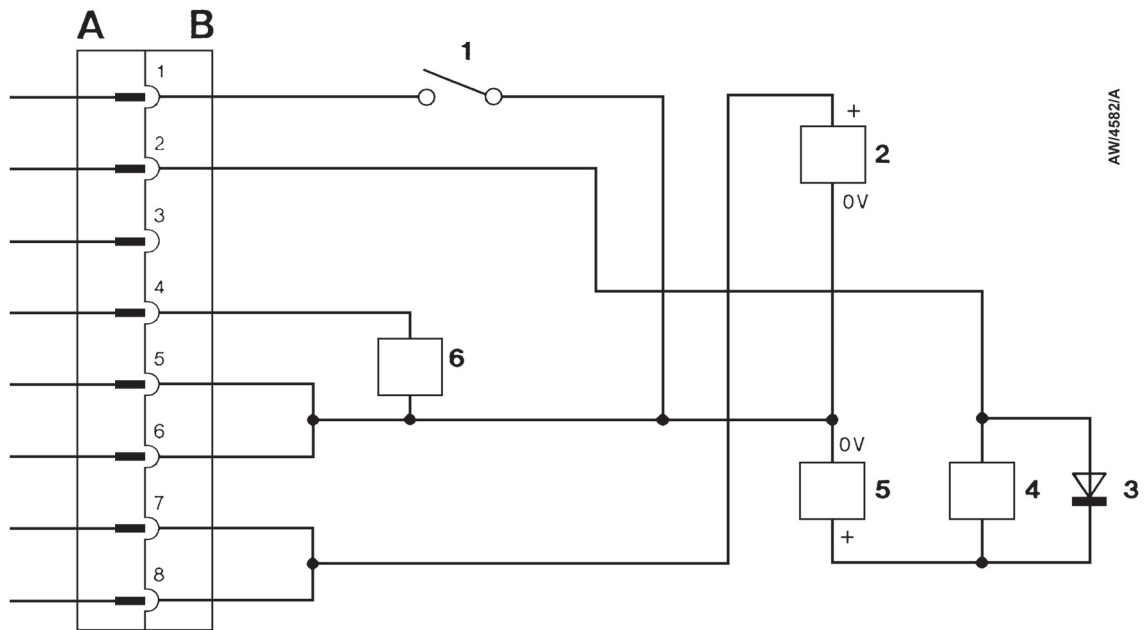
* With respect to pins 5 or 6.

Table 1 - Logic interface connector pins

3.4.2 Connect the logic interface to your control equipment

1. Connect your control equipment to the start/stop control input pins of your logic interface mating half to start/stop the EXT pump as required:
 - Link (close) the start/stop control input (pin 1) to pins 5 or 6 to start the EXT pump.
 - Unlink (open) the start/stop control input (pin 1) from pins 5 or 6 to stop the EXT pump.
2. Connect your control equipment to the pump speed analogue output (pin 4) and to pins 5 or 6 of your logic interface mating half to monitor the speed output of the EXDC.

(Continued on page 10)



AW/4582/A

- A EXDC logic interface plug
 - B Mating half to EXDC logic interface plug
- | | |
|--|----------------------------------|
| 1. Start/stop switch | 4. D. C. relay (optional) |
| 2. Electrical supply | 5. Relay power supply (optional) |
| 3. Back EMF suppression diode (optional) | 6. Voltmeter |

Figure 3 - Schematic diagram of the logic interface connections

3. Connect your control equipment to the TMP normal status output (pin 2) and to pins 5 or 6 of your logic interface mating half. You can use the output to control other devices in your pumping system. The output can drive a low power relay of up to 24 V coil rating.

3.4.3 Connect the electrical supply

WARNING

Ensure that the EXDC is earthed (grounded) as required by IEC1010-1\C22.2 1010-1 and all local legislative requirements, and observe all appropriate safety precautions for the safe installation and handling of electrical equipment. If you do not, there will be a danger of injury or death to people by electric shock.

WARNING

Incorporate a suitable isolation device in the electrical supply, close to the EXDC. If you do not, you will not be able to switch off the EXDC in an emergency.

WARNING

Incorporate suitable fuses or current limiting devices in the electrical supply circuit. If you do not and a fault develops, the EXDC may be damaged and there will be a danger of injury or death to people by electric shock.

Connect suitable electrical supplies to pins 5 to 8 of your connector mating half. When you connect the supplies:

- Incorporate a suitable fuse or current limiting devices in your external electrical supply: the rating of the fuse or current limiting device must be suitable for your electrical supply.
- Incorporate suitable fuses or current limiting devices in the nominal 80 V lines: refer to Section 2 for the fuse/current limiting device rating.
- Incorporate an isolation switch.

4 OPERATION

WARNING

Do not disconnect the EXDC from the EXT pump when the pump is operating. At full speed, the EXT pump motor generates 48 V RMS which is accessible at the pump to Controller electrical connection, and there may be a risk of injury by electric shock.

CAUTION

Do not disconnect the EXDC from, or reconnect the EXDC to, the EXT pump if the electrical supply to the EXDC is on, or if the EXT pump is rotating. If you do, you can damage the EXDC.

4.1 Start-up

Notes: You can start the backing pump and the EXT pump at the same time; the EXT pump will not be damaged and can operate as an effective baffle. However, if the system pressure remains too high, the EXT pump may not reach 80% of full rotational speed and the TMP Normal status output signal will not be set.

Use the following procedure to start up your system. This procedure assumes that you will manually operate the vent-valve and the backing pump.

1. Switch on the electrical supply to the EXDC.
2. Close the vent-valve (if fitted) and start the backing pump.
3. Start the EXT pump: close the Start/Stop control input on the logic interface connector.

4.2 Operation with high inlet pressure or temperature

If the EXT pump inlet pressure rises, the power supplied by the EXDC to the pump-motor will increase to counteract the gas frictional load. The pump rotational speed will remain constant until the EXDC peak power level is reached; beyond this power level, the speed of the pump will start to reduce.

(Continued on page 12)

Temperature sensors in the EXDC and the EXT pump are monitored by the EXDC. If the EXDC detects that the pump temperature or its own temperature is too high, the power supplied to the pump-motor is reduced; the pump may not therefore be able to maintain full rotational speed if it is too hot.

Refer to the EXT pump instruction manual for the maximum allowable inlet pressure and for the pump operating temperature ranges, and refer to Section 2.3 for the maximum EXDC output power.

4.3 Normal shutdown

Use the following procedure to shut down your system. This procedure assumes that you will manually operate the vent-valve and the backing pump. Refer to the Instruction Manual for the EXT pump for details of the maximum allowable vent rate.

1. Select Stop: open the Start/Stop control input on the logic interface connector.
2. Open the vent-valve after the EXT pump speed has fallen to below 50% of full rotational speed.
3. Switch off the backing pump.

4.4 Shut down due to pump under or over-speed

CAUTION

Shut down the EXT pump if its speed falls to below 50% of full rotational speed. If you do not, the EXT pump may be damaged.

You must use the speed analogue output to monitor the speed of the EXT pump. If the pump speed falls to below 50% of its full rotational speed, this means that there is high inlet pressure or temperature, or that there is a fault in the EXT pump (for example, the bearings may have failed).

If the pump speed falls to below 50% of its full rotational speed, you must therefore switch off the EXT pump (open the start/stop control input) to prevent damage to the pump.

The EXDC has an electronic EXT pump speed control system. This control system prevents operation of the EXT pump at over 100% of its normal full rotational speed (as operation above this speed reduces bearing operational life).

If required, you can monitor the speed analogue output and configure your control equipment to switch off the EXT pump if its speed exceeds 100% of full rotational speed.

4.5 Electrical supply failure

WARNING

If the Start/Stop control signal on the logic interface connector is set to Start, the EXDC will automatically restart the EXT pump when the electrical supply is restored after an electrical supply failure. Ensure that people cannot be injured by the rotating rotor blades of the EXT pump.

If the electrical supply to the EXDC fails when the EXT pump is rotating, the motor of the EXT pump acts as a generator and the power generated can be used as the electrical supply for the associated control logic connected to the EXDC.

You can connect a suitable d.c. to d.c. convertor to the 80 V supply pins (pins 7, 8) on your logic interface mating half; the voltage on these pins is maintained at 50 V d.c. during external electrical supply failure.

5 MAINTENANCE

5.1 Introduction

The EXDC has no parts which can be serviced by the user. If necessary, return the EXDC to your supplier or BOC Edwards for repair or replacement.

5.2 EXDC LED fault finding

Symptom	Check	Action
None of the LEDs are on.	Has the EXDC electrical supply failed ?	Ensure that the electrical supply is switched on and that the fuses (and current limiting devices) have not been tripped.
The Normal LED does not go on.	Is there a leak in the vacuum system ? Is the EXT pump faulty ?	Inspect the vacuum system and seal any leaks found. Inspect the EXT pump and check that it operates correctly with another EXDC or EXC Turbomolecular Pump Controller. If necessary, replace the EXT pump.
Only one phase LED is on.	Is the EXT pump faulty ?	Inspect the EXT pump and check that it operates correctly with another EXDC or EXC Turbomolecular Pump Controller. If necessary, replace the EXT pump.
(Any of the above.)	-	If all the previous checks and actions have been made and the fault symptom is still present, the EXDC may be faulty: contact your supplier or BOC Edwards.

Table 2 - EXDC LED fault finding

6 STORAGE AND DISPOSAL

6.1 Storage

Fit protective covers over the electrical connections and store the EXDC in clean dry conditions until required.

When required for use, prepare and install the EXDC as described in Section 3 of this manual.

6.2 Disposal

Dispose of the EXDC and any components safely in accordance with all local and national safety and environmental requirements.

Return of BOC Edwards Equipment - Procedure

INTRODUCTION

Before returning your equipment, you must warn BOC Edwards if substances you used (and produced) in the equipment can be hazardous. This information is fundamental to the safety of our Service Centre employees and will determine the procedures employed to service your equipment.

Complete the Declaration (HS2) and send it to BOC Edwards before you dispatch the equipment. It is important to note that this declaration is for BOC Edwards internal use only, and has no relationship to local, national or international transportation safety or environmental requirements. As the person offering the equipment for shipment, it is your responsibility to ensure compliance with applicable laws.

GUIDELINES

- Equipment is '**uncontaminated**' if it has not been used, or if it has only been used with substances that are not hazardous. Your equipment is '**contaminated**' if it has been used with any substances classified as hazardous under EU Directive 67/548/EEC (as amended) or OSHA Occupational Safety (29 CFR 1910).
- If your equipment has been used with radioactive substances, biological or infectious agents, mercury, polychlorinated biphenyls (PCB's), dioxins or sodium azide, you must decontaminate it before you return it to BOC Edwards. You must send independent proof of decontamination (for example a certificate of analysis) to BOC Edwards with the Declaration (HS2). Phone BOC Edwards for advice.
- If your equipment is contaminated, you must either:
 - Remove all traces of contamination (to the satisfaction of laws governing the transportation of dangerous/hazardous substances).
 - Or, properly classify the hazard, mark, manifest and ship the equipment in accordance with applicable laws governing the shipment of hazardous materials.

Note: Some contaminated equipment may not be suitable for airfreight.

PROCEDURE

1. Contact BOC Edwards and obtain a Return Authorisation Number for your equipment.
2. Complete the Return of BOC Edwards Equipment - Declaration (HS2).
3. If the equipment is contaminated, you must contact your transporter to ensure that you properly classify the hazard, mark, manifest and ship the equipment, in accordance with applicable laws governing the shipment of contaminated/hazardous materials. As the person offering the equipment for shipment, it is your responsibility to ensure compliance with applicable law. **Note: Equipment contaminated with some hazardous materials, such as semiconductor by-products, may not be suitable for airfreight - contact your transporter for advice.**
4. Remove all traces of hazardous gases: pass an inert gas through the equipment and any accessories that will be returned to BOC Edwards. Where possible, drain all fluids and lubricants from the equipment and its accessories.
5. Seal up all of the equipment's inlets and outlets (including those where accessories were attached) with blanking flanges or, for uncontaminated product, with heavy gauge tape.
6. Seal equipment in a thick polythene/polyethylene bag or sheet.
7. If the equipment is large, strap the equipment and its accessories to a wooden pallet. If the equipment is too small to be strapped to a pallet, pack it in a suitable strong box.
8. Fax or post a copy of the Declaration (HS2) to BOC Edwards. The Declaration must arrive before the equipment.
9. Give a copy of the Declaration (HS2) to the transporter. You must tell your transporter if the equipment is contaminated.
10. Seal the original Declaration in a suitable envelope: attach the envelope securely to the outside of the equipment package, in a clear weatherproof bag.

WRITE YOUR RETURN AUTHORISATION NUMBER CLEARLY ON THE OUTSIDE OF THE ENVELOPE OR ON THE OUTSIDE OF THE EQUIPMENT PACKAGE.

Return of BOC Edwards Equipment - Declaration

Return Authorisation Number: _____

You must:

- Know about all of the substances which have been used and produced in the equipment before you complete this Declaration
- Read the Return of BOC Edwards Equipment - Procedure (HS1) before you complete this Declaration
- Contact BOC Edwards to obtain a Return Authorisation Number and to obtain advice if you have any questions
- Send this form to BOC Edwards before you return your equipment

SECTION 1: EQUIPMENT

Equipment/System Name _____

Part Number _____

Serial Number _____

Has the equipment been used, tested or operated ?

YES Go to Section 2 NO Go to Section 4**IF APPLICABLE:**

Tool Reference Number _____

Process _____

Failure Date _____

Serial Number of Replacement Equipment _____

SECTION 2: SUBSTANCES IN CONTACT WITH THE EQUIPMENT**Are any substances used or produced in the equipment:**

- Radioactive, biological or infectious agents, mercury, poly chlorinated biphenyls (PCBs), dioxins or sodium azide? (if YES, see Note 1) YES NO
- Hazardous to human health and safety? YES NO

Note 1 : BOC Edwards will not accept delivery of any equipment that is contaminated with radioactive substances, biological/infectious agents, mercury, PCB's, dioxins or sodium azide, unless you:

- Decontaminate the equipment
- Provide proof of decontamination

YOU MUST CONTACT BOC EDWARDS FOR ADVICE BEFORE YOU RETURN SUCH EQUIPMENT

SECTION 3: LIST OF SUBSTANCES IN CONTACT WITH THE EQUIPMENT

Substance name	Chemical Symbol	Precautions required (for example, use protective gloves, etc.)	Action required after a spill, leak or exposure

SECTION 4: RETURN INFORMATION

Reason for return and symptoms of malfunction _____

If you have a warranty claim: • who did you buy the equipment from ? _____

• give the supplier's invoice number _____

SECTION 5: DECLARATION

Print your name: _____ Print your job title: _____

Print your organisation: _____

Print your address: _____

Telephone number: _____ Date of equipment delivery: _____

I have made reasonable enquiry and I have supplied accurate information in this Declaration. I have not withheld any information, and I have followed the Return of BOC Edwards Equipment - Procedure (HS1).

Note: Please print out this form, sign it and return the signed form as hard copy.

Signed: _____ Date _____

This page intentionally blank.

EUROPE/UNITED KINGDOM**BOC EDWARDS**

Manor Royal
Crawley
West Sussex, RH10 9LW
Tel +(44) 1293 528844
Fax +(44) 1293 533453

AMERICAS**USA HEADQUARTERS****BOC EDWARDS**

One Edwards Park
301 Ballardvale Street
Wilmington, MA 01887
Tel +(1) 978 658 5410
Toll Free (USA only) 1800 848 9800
Fax +(1) 978 658 5410

3901 Burton Drive
Santa Clara, CA 95054
Tel +(1) 408 496 1117
Fax +(1) 408 496 1118

1810 West Drake Drive
Suite 101
Tempe, AZ 85283
Tel +(1) 480 777 7007
Fax +(1) 480 777 2244

4117 Commercial Center Drive
Austin, TX 78744
Tel +(1) 512 416 0102
Fax +(1) 512 328 9846

3501 Island Avenue
Philadelphia, PA 19153
Tel +(1) 215 365 8653
Fax +(1) 978 756 6846

U.S. National Sales Center
Mon 8:30 A. M. - 8:00 P.M. EST
Tues 8:30 A. M. - 8:00 P.M. EST
Wed 8:30 A. M. - 8:00 P.M. EST
Thurs 8:30 A. M. - 8:00 P.M. EST
Fri 8:30 A. M. - 6:30 P.M. EST

BELGIUM**BOC EDWARDS**

Bergensesteenweg 709
B1600 Sint-Pieters-Leeuw
Brussels
Tel +(32) 2 363 0030
Fax +(32) 2 363 0064

BRAZIL**BOC DO BRAZIL LTDA**

Rua Bernardo Wrona 222
02710 São Paulo-SP
Brazil
Tel +(55) 11 3952 5000
Fax +(55) 11 3965 2766

CANADA**BOC EDWARDS**

5975 Falbourne Street
Mississauga, Ontario L5R3W6
Canada
Tel +(1) 800 387 4076
Fax +(1) 905 501 1225

12055 Cote de Liesse
Dorval, Quebec H9P1B4
Canada
Tel +(1) 514 631 3501
Fax +(1) 514 631 3502

CHINA**BOC TRADING (SHANGHAI)
CO. LTD**

23 Fu Te Road(N),
Wai Gao Qiao Free Trade Zone
Pudong, Shanghai, 200131,
PRC, China
Tel +(86 21) 58669618
Fax +(86 21) 58669993

GERMANY**BOC EDWARDS**

Ammerthalstraße 36
85551 Kirchheim
Munich
Tel +(49) 89 99 19 18 0
Fax +(49) 89 99 19 18 99

FRANCE**BOC EDWARDS**

125 Avenue Louis Roche
92238 Gennevilliers, Cedex
Paris
Tel +(33) 1 47 98 24 01
Fax +(33) 1 47 98 44 54

HONG KONG S.A.R.**BOC EDWARDS (ASIA)**

12 Chun Yat Street
Tseung Kwan O Industrial
Estate
Tseung Kwan O, Kowloon
Hong Kong SAR
Tel +(852) 2372 2640
Fax +(852) 2796 9095

INDIA**BOC EDWARDS****DIVIN. OF BOC INDIA LIMITED**

203 Surya Kiran Building
19 Kasturba Gandhi Marg
New Delhi - 110 001
India
Tel +(91) 11 237 33087
Fax +(91) 11 551 0245

ISRAEL**EDWARDS ISRAEL VACUUM LTD**

5 Habarzel Blvd
Gat 2000 Industrial Zone
Qiryat Gat 82000
Tel +(972) 8 681 0633
Fax +(972) 8 681 0640

ITALY**BOC EDWARDS**

Via Carpaccio 35
20090 Trezzano sul Naviglio
Milan
Tel +(39) 2 48 4471
Fax +(39) 2 48 401638

JAPAN**HEADQUARTERS****BOC EDWARDS**

Shwa Shiba Park Building A-3F
2-4-1 Shibakoen Minato-ku
Tokyo, 105-0011
Tel +(81)(0) 3 5470 6530
Fax +(81)(0) 3 5470 6521

KOREA**HEADQUARTERS****SONGWON EDWARDS LTD**

5th FL. Daewoo Engineering
Bldg.
Soonae-dong
Bundang-gu, Sungnam City
Kyungki-do, Korea
Tel +(82) 31 716 7070
Fax +(82) 31738 1001

SONGWON EDWARDS LTD

625-7 Upsong-dong
Chunan City
Chungchong Nam-do
Korea
Tel +(82) 41 621 7070
Fax +(82) 41 621 7700

SINGAPORE**BOC EDWARDS (ASIA)**

42 Loyang Drive
Loyang Industrial Estate
Singapore 508962
Tel +(65) 546 8408
Fax +(65) 546 8407

TAIWAN, R.O.C.**EDWARDS TAIWAN LIMITED**

No. 434 Chung-hua Road
Toufen Town, Miaoli County
Taiwan R.O.C.
Tel +(886) 37 611422
Fax +(886) 37 611401

P800-80-000 Issue K 01A09-010

PLEASE CONTACT ANY OF THE ABOVE FOR DETAILS OF OTHER SALES AND SERVICE CENTERS IN YOUR AREA.

BOC Edwards is part of BOC Limited. BOC Edwards and the stripe symbol are trade marks of The BOC Group
© BOC Edwards 2004
Publication No. C100-04-895

www.bocedwards.com
info@bocedwards.com

