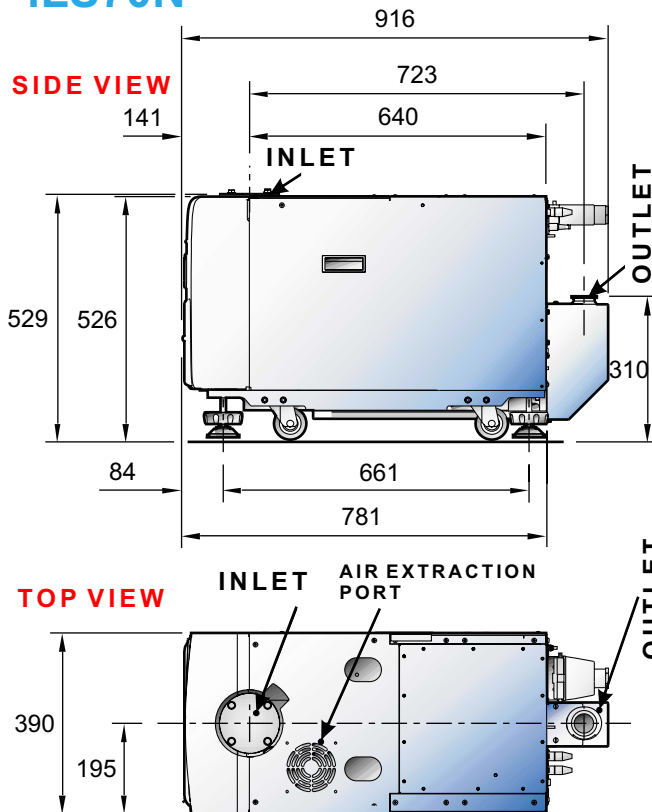


Ideal
 vacuum products
 (505) 872-0037
 2401 B Phoenix Ave. NE
 Albuquerque, NM 87107
idealtvac.com



**Dimensions
 iLS70N**

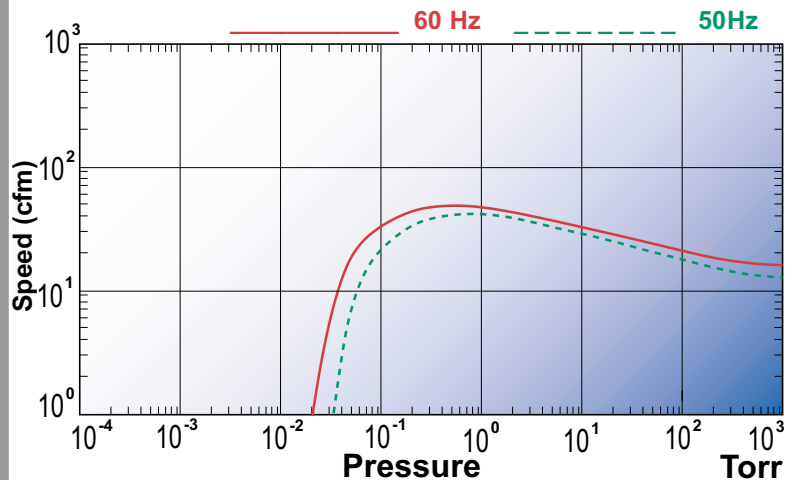


© Edwards Limited 2008. All rights reserved.



SPECIFICATIONS

Peak Speed	cfm	60 Hz	50 Hz
	M³h⁻¹	49	41
	1 min⁻¹	84	70
Ultimate Vacuum (with shaft seal purge)	torr	2.3X10 ⁻²	3.8X10 ⁻²
	mbar	3X10 ⁻²	5X10 ⁻²
	Pa	3	5
Typical Shaft Seal nitrogen flow	slm	4	4
Inlet Connection		ISO63	
Outlet Connection		NW40	
Typical cooling water flow at 15psi drop	1 h⁻¹	90	
	1 min⁻¹	1.5	
Weight	kg/lbs.	230/506	
Power input	kW	1.5	1.3
Rated motor	kW	2.2	1.8
Oil Capacity	liter	0.75	



iLS70N Pumping Speed Curve

**90 DAY WARRANTY
 ON ALL PARTS & LABOR**