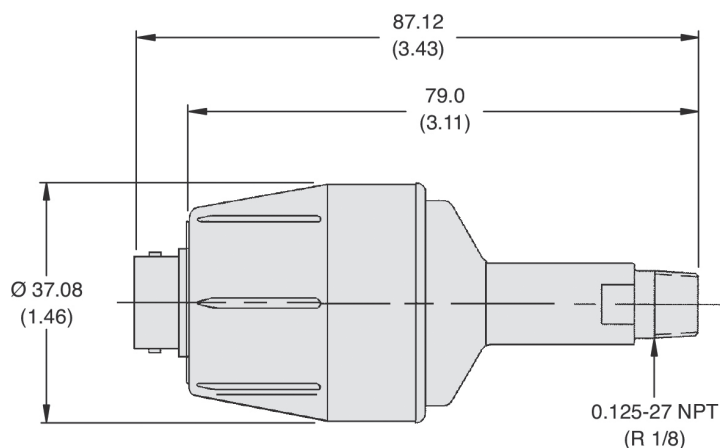


## ConvecTorr Gauge Tube



Dimensions: millimeters (inches)

The Agilent ConvecTorr gauge tube has high levels of accuracy and is ideal for rapid, repetitive pumpdowns from atmospheric pressure. This robust, cost-effective thermal vacuum gauge offers continuous and repeatable pressure measurements from  $1 \times 10^{-4}$  Torr ( $1.33 \times 10^{-4}$  mbar) to atmosphere, at temperatures from  $0^{\circ}\text{C}$  to  $50^{\circ}\text{C}$ . The tube has been optimized for convection cooling, resulting in superior readings at higher pressures.

Separately, the ConvecTorr gauge simulator provides a way to calibrate and set the zero setting on a ConvecTorr gauge controller. It may be set to simulate either 1 atmosphere or  $10^{-4}$  Torr. The ConvecTorr gauge is ideally suited for demanding vacuum applications such as load lock or control of a two stage pumpdown.

## Technical Specifications

|   |
|---|
| <b>Measurement range</b>  |
| 1 x 10 <sup>-4</sup> Torr to atmosphere, 1 x 10 <sup>-1</sup> to 133 Pascal                 |
| <b>Measurement precision</b>  |
| + 30 % within a pressure decade   |
| <b>Temperature limits</b>   |
| Operating: 0 °C to 50 °C; storage: -15 to 80 °C;<br>bake out: 80 °C with cable disconnected |
| <b>Pressure response time</b>   |
| Less than 0.2 seconds   |
| <b>Materials</b>  |
| 304 stainless steel with platinel filament and ABS housing                                  |

## Ordering Information

| Description                              | Part Number | Fitting                 | Shipping Weight kg (lbs) |
|--|-------------|-------------------------|--------------------------|
| ConvecTorr Gauge Tube, platinel filament | L9090301    | ½ in. NPT               | 0.5 (1.0)                |
|  | L9090302    | DN 16 CFF (1.33 in CFF) | 0.5 (1.0)                |
|  | L9090305    | DN 16 ISO-KF            | 0.5 (1.0)                |
|  | L9090306    | DN 25 ISO-KF            | 0.5 (1.0)                |
|  | X3203-60012 | DN 40 CFF (2.75 in CFF) | 0.5 (1.0)                |

## Contact information

### Americas

Agilent Technologies  
121 Hartwell Avenue,  
Lexington, MA 02421 USA  
Toll free: +1 800 882 7426  
vpl-customer@agilent.com

### Europe, Middle East, Africa, India

Agilent Technologies Italia SpA  
Via F.lli Varian 54,  
10040 Leini (Torino), Italy  
Tel: +39 011 9979 111  
Toll free: 00 800 234 234 00  
vpt-customer@agilent.com

### China

Beijing Office Agilent Technologies (China) Co. Ltd.  
No.3, Wang Jing Bei Lu,  
Chao Yang District,  
Beijing, 100102, China  
Toll free: 800 820 6778  
Contacts.vacuum@agilent.com

For more information, please contact your Agilent representative or visit [www.agilent.com/chem/vacuum](http://www.agilent.com/chem/vacuum) where you can chat live with a vacuum expert.



<https://www.agilent.com/en/product/vacuum-technologies/vacuum-measurement/vacuum-transducers/convectorr-gauge-tube>

DE44449.4899074074

This information is subject to change without notice.

© Agilent Technologies, Inc. 2021  
Printed in the USA, September 21, 2021  
5994-4126EN