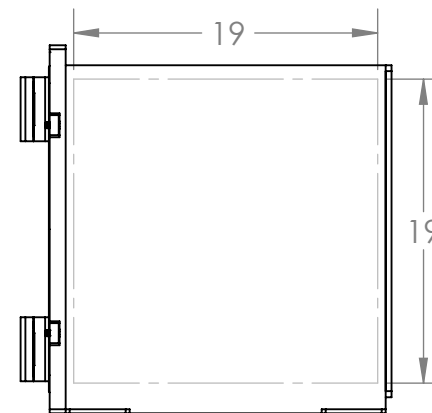
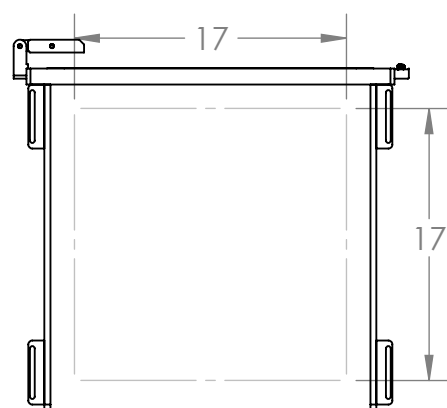
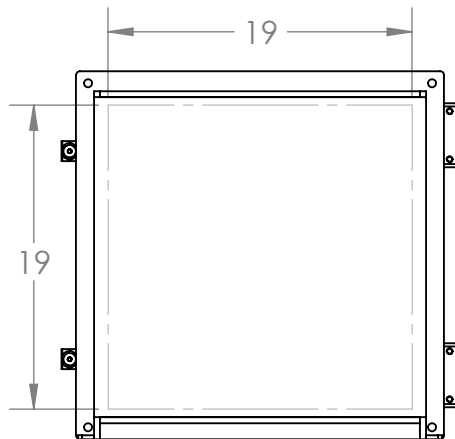
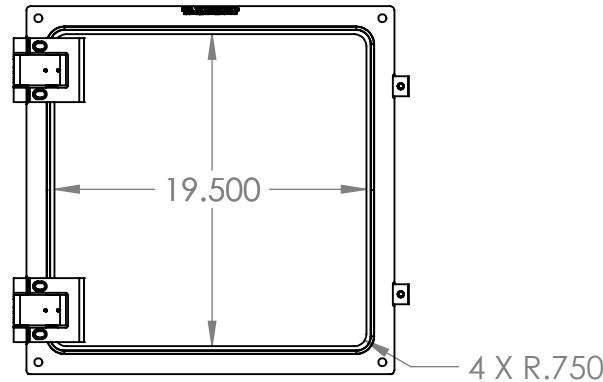
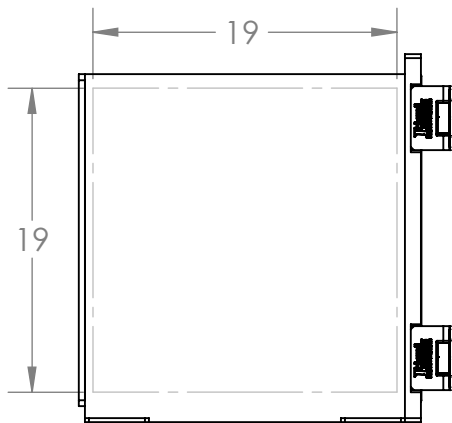
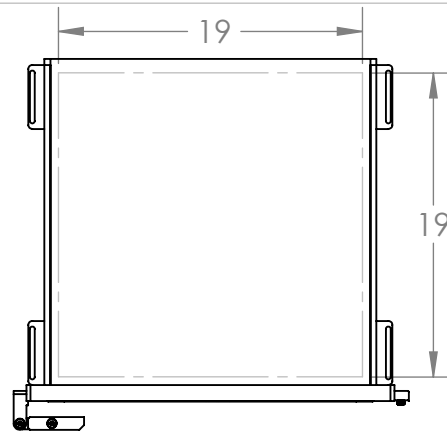


DASHED LINES INDICATE
PORT-ABLE AREA.

PLEASE KEEP ALL PORTS ENTIRELY
WITHIN THESE LINES UNLESS
OTHERWISE APPROVED BY IDEAL VACUUM.

MARK SIDES OF CHAMBER WITH CIRCLE,
PORT TYPE, AND RELEVANT DIMENSIONS
TO INDICATE PORTING CHOICE.



STANDARD PORTS AND SIZES:

KF:

- KF-10: 1.2" DIAMETER
- KF-16: 1.2" DIAMETER
- KF-25: 1.6" DIAMETER
- KF-40: 2.2" DIAMETER
- KF-50: 3.0" DIAMETER

CF:

- CF 1.333": 1.4" DIAMETER
- CF 2.125": 2.2" DIAMETER
- CF 2.750": 2.8" DIAMETER
- CF 3.375": 3.4" DIAMETER
- CF 4.500": 4.5" DIAMETER
- CF 4.625": 4.7" DIAMETER
- CF 6.000": 6.0" DIAMETER
- CF 6.750": 6.8" DIAMETER
- CF 8.000": 8.0" DIAMETER
- CF 10.00": 10." DIAMETER
- CF 12.00": 12." DIAMETER

NW:

- NW-63 : 3.80" DIAMETER
- NW-80 : 4.40" DIAMETER
- NW-100: 5.20" DIAMETER
- NW-160: 7.10" DIAMETER
- NW-200: 9.50" DIAMETER
- NW-250: 11.5" DIAMETER
- NW-320: 14.6" DIAMETER
- NW-400: 17.8" DIAMETER

NPT:

- 1/8" : .7" DIAMETER
- 1/4" : .8" DIAMETER
- 3/8" : .9" DIAMETER
- 1/2" : 1.1" DIAMETER
- 3/4" : 1.4" DIAMETER
- 1" : 1.8" DIAMETER
- 1-1/4" : 2.3" DIAMETER
- 1-1/2" : 2.6" DIAMETER
- 2" : 3.0" DIAMETER
- 2-1/2" : 3.8" DIAMETER
- 3" : 4.3" DIAMETER

ASA:

- ASA 1.0" : 4.3" DIAMETER
- ASA 1.5" : 5.0" DIAMETER
- ASA 2.0" : 6.0" DIAMETER
- ASA 3.0" : 7.5" DIAMETER
- ASA 4.0" : 9.0" DIAMETER
- ASA 6.0" : 11." DIAMETER

THROUGH HOLE:
SPECIFY A DIAMETER
AND A TOLERANCE

5

4

3

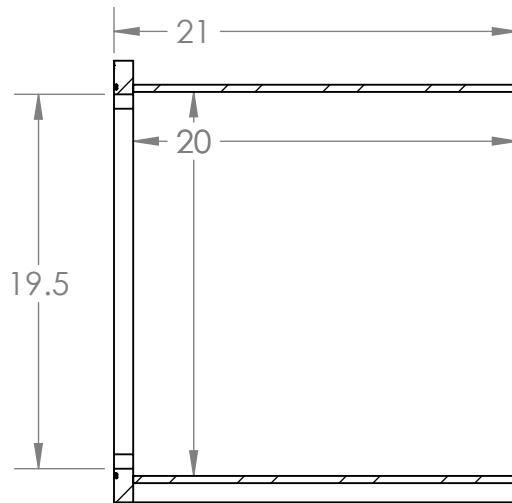
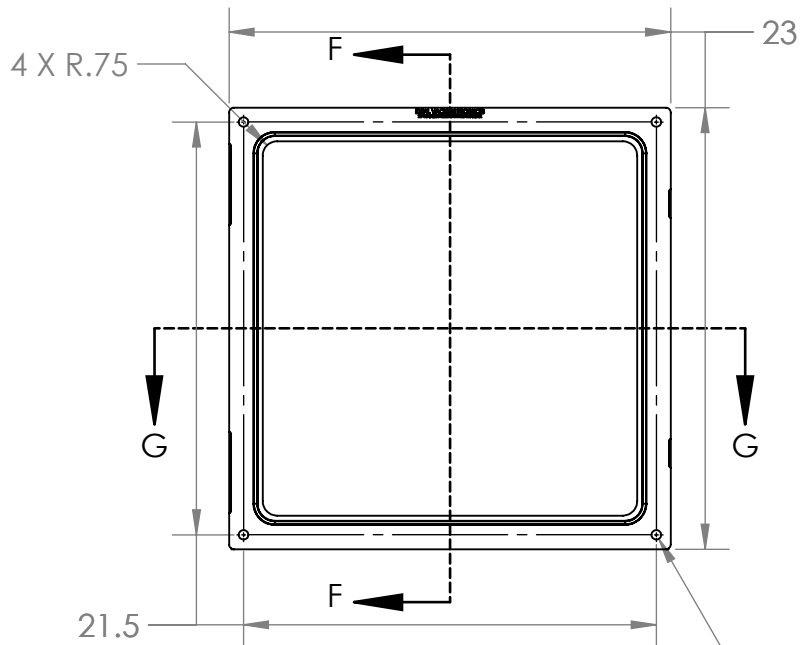
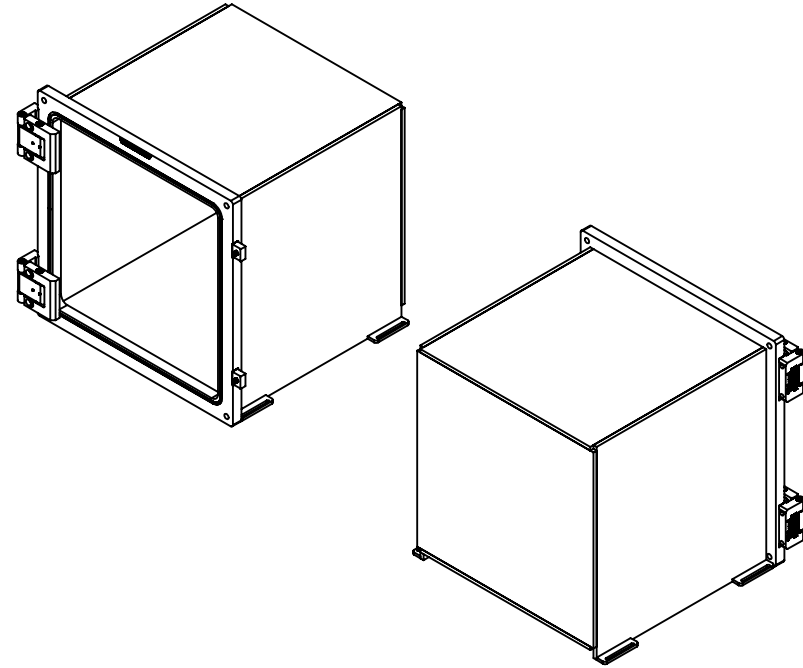
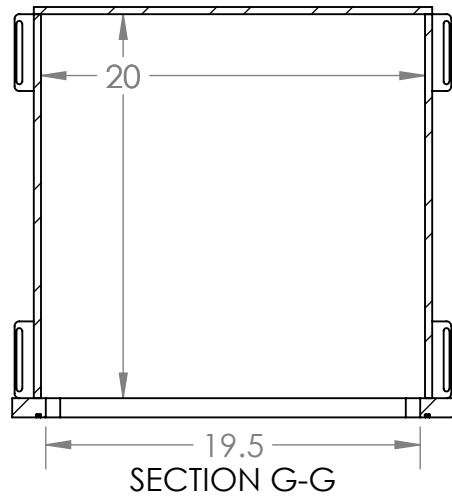
2

1



SCALE	1:12	UNLESS OTHERWISE SPECIFIED DIMENSIONS ARE IN INCHES			
CAD REV.	X.5	ANGLES	.X	.XX	.XXX
DWG REV.	X	± .5°	± .02	± .01	± .005

BASIC DIMENSIONS FOR YOUR CONVENIENCE



4X 1/2-13 UNC THRU ALL



SCALE	1:10	UNLESS OTHERWISE SPECIFIED DIMENSIONS ARE IN INCHES			
CAD REV.	X.5	ANGLES	.X	.XX	.XXX
DWG REV.	X	±.5°	±.02	±.01	±.005

5

4

3

2

1