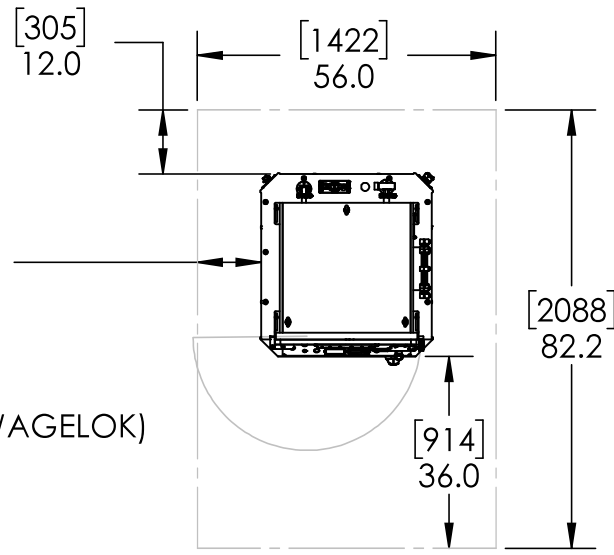


RS-232 (DB-9)
 AUX PORT (DB-15)
 SERVICE PORT (USB)

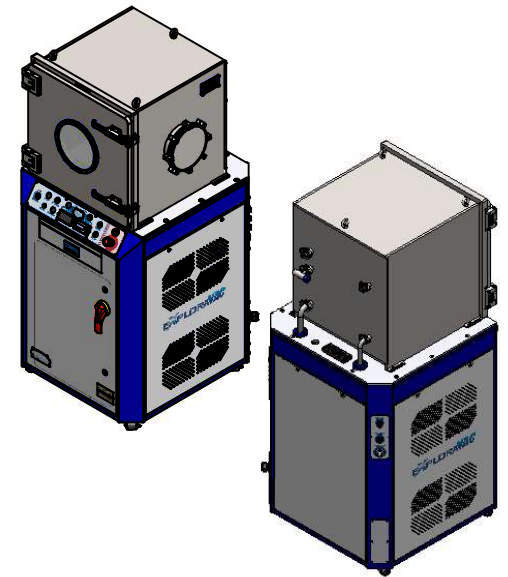
PURGE GAS PORT (1/2IN SWAGELOK)
 CHAMBER VENT (KF-16)
 PUMP EXHAUST (KF-25)

REMOVABLE
 PANELS

SYSTEM POWER BULKHEAD



SYSTEM FOOTPRINT & CLEARANCE



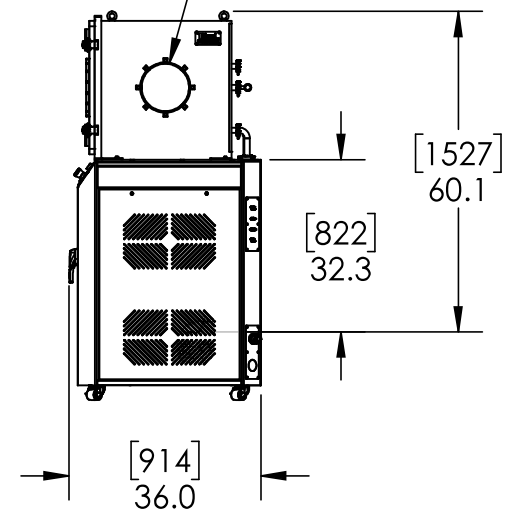
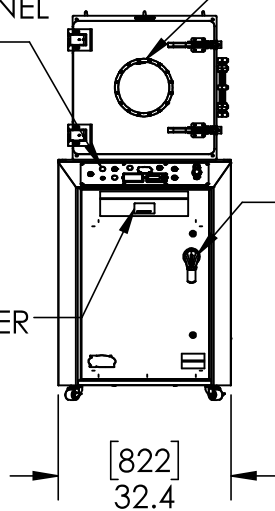
BUTTON PANEL
 CONTROL

VACUUM
 GAUGE
 CONTROLLER

HALO
 VIEWING
 WINDOW

POWER
 BREAKER

ISO-200
 CONFIGURABLE
 FEEDTHROUGH



1. APPROXIMATE SYSTEM WEIGHT 1400 LBS
2. CHAMBER INTERNAL DIMENSIONS 24" x 24" x 24"
3. MAINTAIN RECOMMENDED SIDE CLEARANCE FOR PROPER VENTILATION
4. INSTALL WITH CASTERS OR FIXED LEVELING FEET (BOTH INCLUDED)

Ideal Vacuum Products

ExploraVac Standard
 Configuration: Altitude Simulation

SIZE A	Part No: P1012093	SCALE: 1:36 SHEET 1 OF 1
------------------	-------------------	-----------------------------

5

4

3

2

1