



TELEDYNE HASTINGS INSTRUMENTS

Everywhere you look™

HPM-760S Vacuum Measurement

RANGE

- 0 – 1000 Torr

FEATURES

- Linear Analog Output:
 - 0 - 5 VDC / 0 - 10 VDC
 - 2 - 10 mA / 4 - 20 mA
- Wetted Material: 316 Stainless Steel
- Fast Response
- Wide Input Voltage (15 - 30 VDC)
- Easy Access: Zero & Span

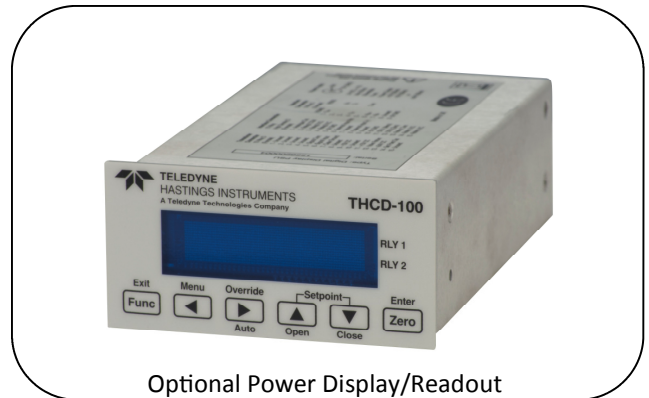
APPLICATIONS

- Vacuum Distillation
- Heat Treating
- Thin Film
- Transformer Maintenance
- LASER Systems
- Glove Boxes
- Vacuum Furnace
- Automotive Parts Manufacturing
- Vacuum Cooling

BENEFITS

- Economical
- Accurate
- Gas Composition Independent
- Rugged
- Small & Lightweight
- Easy Installation & Operation

HPM-760S Vacuum Measurement



Optional Power Display/Readout



Download a free QR reader
from your smart phone app store



Description & Specifications

DESCRIPTION

The HPM-760S module is an exceptionally stable, accurate, and repeatable absolute pressure gauge. The output signal is a highly linear voltage or current signal suitable for many process control applications. As an absolute pressure gauge, readings are unaffected by gas composition. This compact instrument is constructed of 316 stainless steel on all wetted surfaces. The sensor is available as a stand-alone instrument, or may be configured with either the THCD-100 or the THPS-400 Digital Power Supplies. This is an economical sensor alternative to higher cost systems.

The 760S module is a rugged piezo-resistive transducer on a silicon chip. The chip includes a sealed vacuum reference, a resistive bridge circuit, and a temperature compensation network that provides the outstanding accuracy and stability. This instrument covers the range of 0 to 1000 Torr. The input voltage requirement is 15 to 30 VDC. Optional outputs are available for a variety of process controls (see Table of Operational Options).

THCD-100 - Power Supply, Readout, & Controller

The optional THCD-100 is a fully integrated 5-digit display and power supply for a wide choice of pressure transducers, mass flow meters, and mass flow controllers.

The THCD-100 has many user convenient features including digital communications, alarm outputs with relays, and configurable display units.

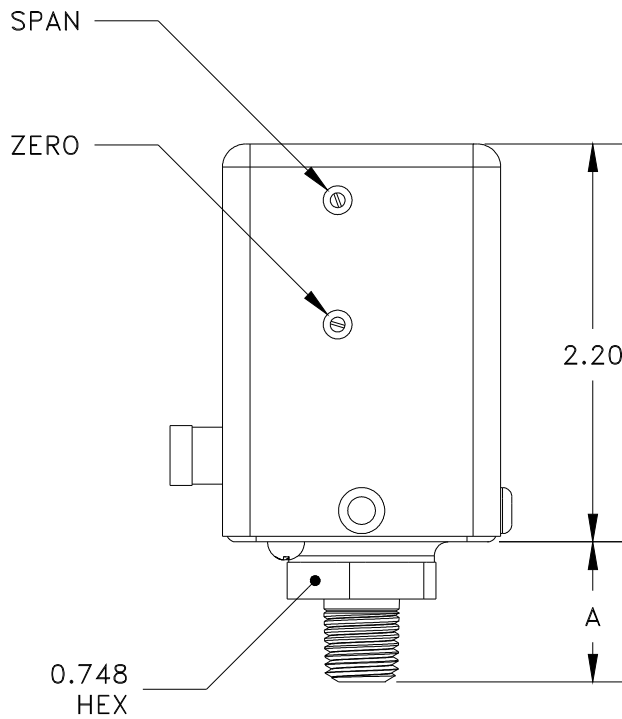
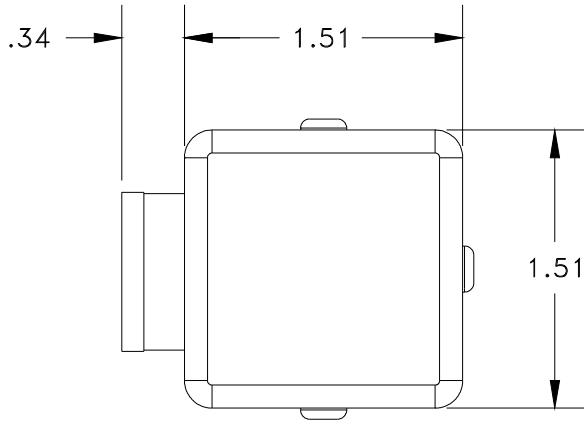
Hastings Instruments reserves the right to change or modify the design of its equipment without any obligation to provide notification of change or intent to change.

VCR® is a registered trademark of Swagelok Company.

| <i>SPECIFICATIONS HPM-760S</i> | |
|---------------------------------------|--|
| Range | 0 – 1000 Torr |
| Accuracy | ± (0.3% of Rdg + 1 Torr) for P ≤ 760 Torr ± (1.0% of Rdg + 1 Torr) for P > 760 Torr |
| Response Time | < 2 sec |
| Input Voltage/Power | 15 - 30 VDC / < 0.4W (15 mA @ 24 VDC) |
| Electrical Connector | 4-pin Terminal Block (5.08 mm Pitch Eurostyle) |
| Weight (approx.) | 0.6 lb. (0.27 kg) |
| Wetted Materials | 316 Stainless Steel |
| Operating Temperature | 0°C — 50°C |
| Maximum Over Pressure | 30 psig |

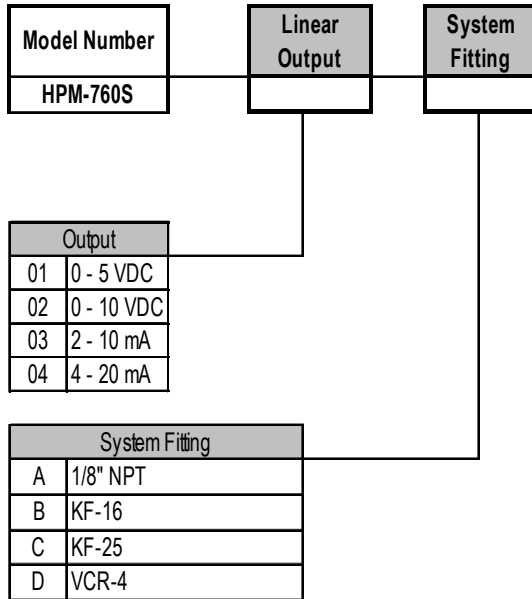


Outline Drawing (HPM-760S)



| CONNECTION | -A- |
|------------|-------|
| 1/8" NPT | 0.80" |
| KF-16 | 0.90" |
| KF-25 | 0.93" |
| VCR-4 | 2.00" |

HPM-760S Selection Chart



HPM-760S Shipment Includes

- HPM-760S Vacuum Transducer Module
- Electrical Connector (4-pin)

Optional THCD-100 Power Supply/Readout

| Stock # | THCD-100 |
|-----------|---|
| THCD-100 | Includes Mounting Brackets, 15-pin "D" Male Connector and Backshell, 9-pin "D" Male Connector and Backshell |
| 12-01-169 | 24 VDC Switching Power Supply |
| 12-01-160 | AC Input Clip, US |
| 12-01-165 | AC Input Clip, UK |
| 12-01-164 | AC Input Clip, Europe |



| | |
|---------------|----------------------|
| CB-RS232-2X9D | 10 Foot Serial Cable |
|---------------|----------------------|

| Cables: Connect THCD-100 to HPM-760s | |
|--------------------------------------|---------------------------------|
| CB-760-CD-008 | 8 Foot Cable, THCD - HPM-760S |
| CB-760-CD-025 | 25 Foot Cable, THCD - HPM-760S |
| CB-760-CD-050 | 50 Foot Cable, THCD - HPM-760S |
| CB-760-CD-100 | 100 Foot Cable, THCD - HPM-760S |
| CB-760-CD-XXX | Special, THCD - HPM-760S |

For best resolution, use 0-10 VDC (Output=02) version of HPM-760S
 THCD-100 is not directly compatible with 4-20 mA and 2-10 mA versions



Telephone: (757) 723-6531
 Toll Free: (800) 950-2468
 Fax: (757) 723-3925

World Wide Web: <http://www.teledyne-hi.com>
 E-mail: hastings_instruments@teledyne.com
 P.O. Box 1436

