

Foreline Trap for Varian DS102, DS202, DS302, DS402, DS602

FORELINE TRAPS

For ALL Varian DS Series Rotary Vane Vacuum Pumps

ISO Flange NW/KF25

Extend the Life of Your Vacuum Pump

Cut Maintenance Costs

Prevent System Downtime



Varian DS102, DS202, DS302, DS402, DS602

APPLICATIONS & EQUIPMENT

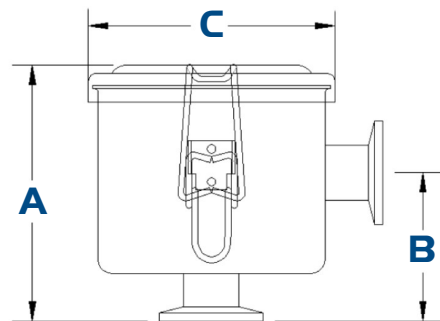
- Foreline traps serve to prevent containments from entering the pump and protect the system from pump fluid or particulate migration. **(Backstreaming)**
- Prevent Dry Scroll Tip Seal Dust Migration
- Trap Condensable Vapors
- Rotary Vane Pump Protection
- Mist removal for Gear Box Venting
- Semi-Conductor Industry

FEATURES & SPECIFICATIONS

- **Interchangeable Cartridge** provides for clean easy maintenance
- **Vacuum Level:** Typically 1.3×10^{-3} mbar (1×10^{-3} mmhg)
- **ISO NW Flange Standard:** Easy release clamp flanges for use in foreline vacuum applications
- **Durable Corrosive Resistant** nickel chrome finish which prevents outgassing
- **Fully-Drawn Housing** with positive engagement ring technology

FILTER MEDIA

- **Polyester Media:** 99% Efficient to 5 Microns
- **Stainless Steel Wire Mesh:** Corrosive resistant media, with large surface area, traps condensed particles & oil vapors
- **Activated Carbon Granule** Stops both particulate matter, gas or vapor odors and contaminants
- **Activated Alumina:** Long media life span and is very effective in preventing backstreaming and in trapping water & acid vapors (Lewis acids, polar compounds & other acids)



	Parent Housing Without Media*		ISO Flg Inlet & Outlet	DIMENSIONS - inches			Rated Flow SCFM	
				A	B	C	Nominal Rating	Element Rating
➔ P101861	\$130.25	NW25	4	2 3/16	3 3/4	18	25	
P101866	\$185.00	NW40	6 3/4	4 1/2	7 5/16	80	115	

All DS Series Pumps

*Media Sold Separately

All DS Series Pumps ➔

AVAILABLE MEDIA OPTIONS								
	Polyester Media		S.S. Wire Mesh		Activated Carbon		Activated Alumina	
NW25	P101862	\$140.00	P101863	\$183.00	P101864	\$165.45	P101865	\$130.25
NW40	P101867	\$205.00	P101885	\$283.00	P101868	\$275.68	P101869	\$284.00



To Our Website
idealvac.com

Ideal Vacuum Products, LLC
2401B Phoenix Ave. NE
Albuquerque, NM 87107
Phone: (505) 872-0037
idealvac.com or pchemlabs.com