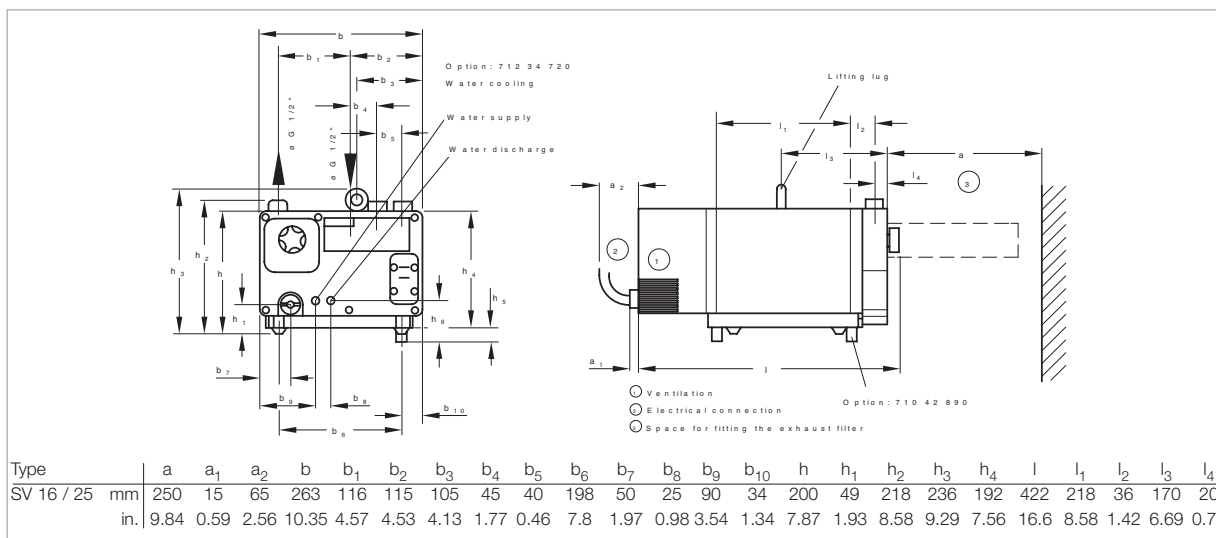


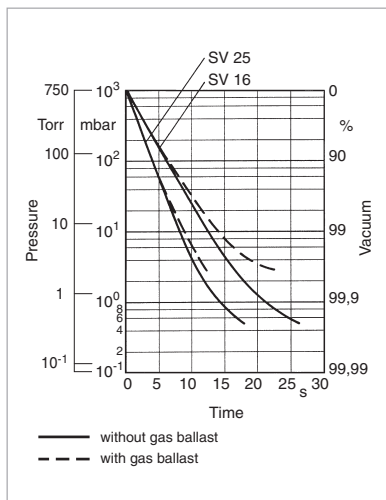
# SOGEVAC SV 16 and SV 25



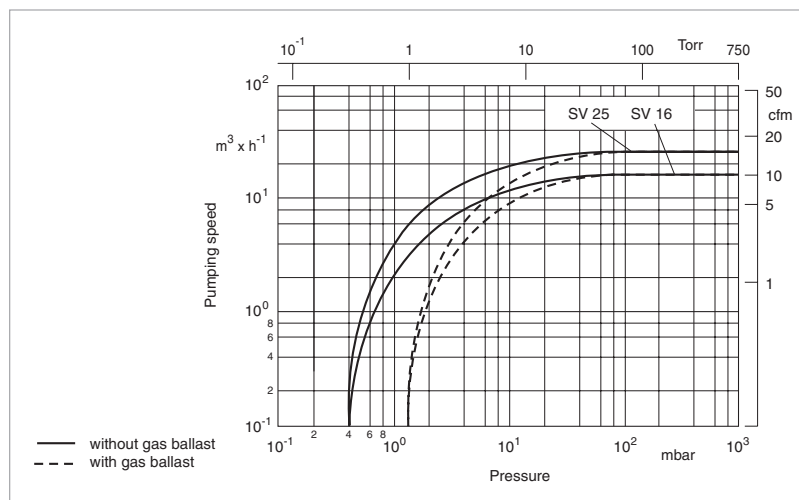
SOGEVAC SV 25



Dimensional drawing for the SOGEVAC SV 16 and SV 25



Pump-down characteristics of a 10 l vessel at 50 Hz



Pumping speed characteristics of the SOGEVAC SV 16 and SV 25 at 50 Hz (60 Hz curves at the end of the chapter)

## Technical Data

		SOGEVAC SV 16		SOGEVAC SV 25	
		50 Hz	60 Hz	50 Hz	60 Hz
Nominal speed <sup>1)</sup>	m <sup>3</sup> x h <sup>-1</sup> (cfm)	16.0 (9.4)	19.0 (11.0)	25.0 (14.7)	29.0 (17.0)
Pumping speed <sup>1)</sup>	m <sup>3</sup> x h <sup>-1</sup> (cfm)	14.5 (8.5)	17.0 (10.0)	22.5 (13.3)	25.5 (15.0)
Ultimate partial pressure without gas ballast <sup>1)</sup>	mbar (Torr)	≤ 0.5 (≤ 0.4)	≤ 0.5 (≤ 0.4)	≤ 0.5 (≤ 0.4)	≤ 0.5 (≤ 0.4)
Ultimate total pressure with gas ballast <sup>1)</sup>	mbar (Torr)	≤ 1.5 (≤ 1.1)	≤ 1.5 (≤ 1.1)	≤ 1.5 (≤ 1.1)	≤ 1.5 (≤ 1.1)
Water vapor tolerance <sup>1)</sup>	mbar (Torr)	40.0 (30.0)	40.0 (30.0)	40.0 (30.0)	40.0 (30.0)
Water vapor capacity	kg x h <sup>-1</sup> (qt/hr)	0.3 (0.32)	0.3 (0.32)	0.45 (0.48)	0.45 (0.48)
Oil capacity	l (qt)	1.8 (2.0)	1.8 (2.0)	1.8 (2.0)	1.8 (2.0)
Noise level <sup>2)</sup>	dB(A)	59	59	59	59
Admissible ambient temperature	°C (°F)	12 to 40 (54 to 104)	12 to 40 (54 to 104)	12 to 40 (54 to 104)	12 to 40 (54 to 104)
Motor power (1-ph. and 3-ph.)	kW (hp)	0.55 (0.74)	0.75 (1.01)	0.75 (1.01)	0.9 (1.2)
Nominal speed	min <sup>-1</sup> (rpm)	1500 (1500)	1800 (1800)	1500 (1500)	1800 (1800)
Type of protection	IP	20	20	20	20
Weight (with oil filling)	kg (lbs)	23.0 (50.7)	23.0 (50.7)	24.0 (52.9)	24.0 (52.9)
Dimensions (L x W x H)	mm (in.)	422 x 263 x 236 (16.61 x 10.35 x 9.29)	422 x 263 x 236 (16.61 x 10.35 x 9.29)	422 x 263 x 236 (16.61 x 10.35 x 9.29)	422 x 263 x 236 (16.61 x 10.35 x 9.29)
Connections, Intake and Exhaust <sup>3)</sup> (Inside thread)	G	1/2"	1/2"	1/2"	1/2"

## Ordering Information

		SOGEVAC SV 16		SOGEVAC SV 25	
		50 Hz	60 Hz	50 Hz	60 Hz
		Part No.		Part No.	
SOGEVAC SV 16/SV 25 <sup>3)</sup>					
with three-phase motor and integrated gas ballast valve					
230/400 V, 50 Hz		<b>109 01</b>		<b>109 03</b>	
208 - 230/460 V, 60 Hz		<b>109 80</b>		<b>109 90</b>	
200 V, 50/60 Hz		<b>955 01</b>		<b>955 03</b>	
with single-phase motor and integrated gas ballast valve					
100 V, 50 Hz		<b>955 30</b>		<b>955 32</b>	
230 V, 50 Hz		<b>109 00</b>		<b>109 02</b>	
115 V, 60 Hz		<b>109 81</b>		<b>109 91</b>	
230 V, 60 Hz		<b>109 82</b>		<b>109 92</b>	
Other voltages/frequencies <sup>4)</sup>		<b>upon request</b>		<b>upon request</b>	
Filling with special oil		<b>upon request</b>		<b>upon request</b>	
<b>Accessories</b>					
Water cooling kit <sup>4), 5)</sup>		<b>712 34 720</b>		<b>712 34 720</b>	
Oil level monitor <sup>4), 5)</sup>		<b>711 19 108</b>		<b>711 19 108</b>	
Exhaust filter gauge, mechanical <sup>4), 5)</sup>		<b>951 91</b>		<b>951 91</b>	
<b>Spare Parts</b>					
Exhaust filter cartridge AFE SV16/25 BR2		<b>712 32 023</b>		<b>712 32 023</b>	
Vaness (set of 3 pieces)		<b>712 34 370</b>		<b>712 34 370</b>	
Set of gaskets NBR (standard)		<b>971 97 152</b>		<b>971 97 152</b>	
Set of gaskets FPM (FKM)		<b>712 30 010</b>		<b>712 30 010</b>	
Repair kit complete		<b>712 41 270</b>		<b>712 41 270</b>	
Pump module complete		<b>712 32 230</b>		<b>712 32 220</b>	

<sup>1)</sup> To DIN 28 400 and following numbers

<sup>2)</sup> Operated at the ultimate pressure without gas ballast, free-field measurement at a distance of 1 m (3.5 ft)

<sup>3)</sup> European and Japanese pumps have BSP, North and South American versions have NPT

<sup>4)</sup> Please indicate when ordering a pump

<sup>5)</sup> Can be retrofitted