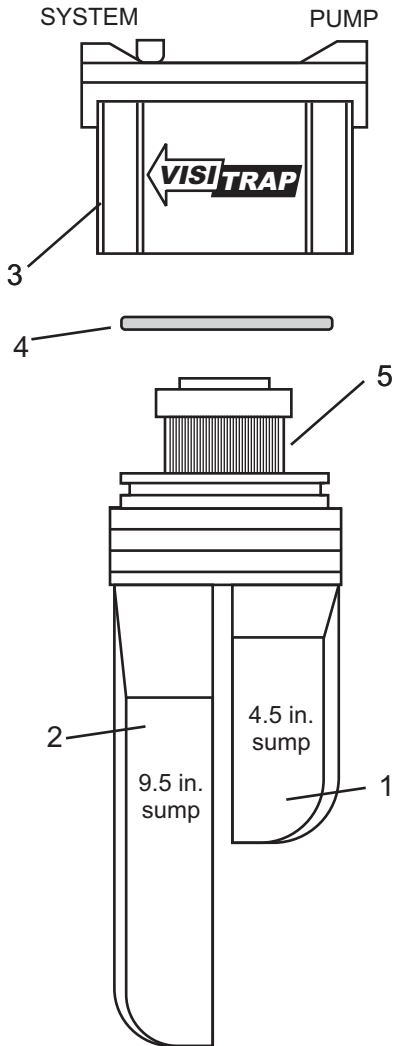
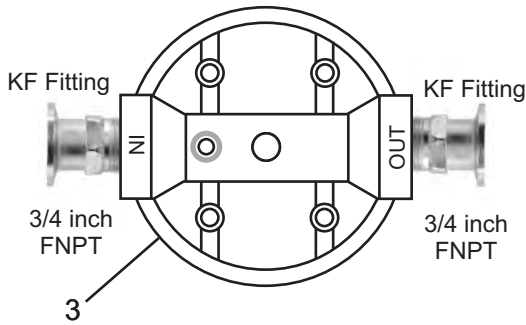


INSTRUCTIONS

VISI[®]TRAP



DISASSEMBLY

Unscrew Cap (3) from sump (1 or 2)
 Remove filter element (5) and discard.
 Remove O Ring (4)

ASSEMBLY

Clean Cap (3) and sump (1 or 2) with detergent and warm water, rinse and wipe dry.
 Install new element (5) in sump (1 or 2).
 Wipe O ring (4) clean, apply thin layer of vacuum grease and install O ring into groove sump.
 Screw cap (3) onto sump. Caution: Do not override positive stop on thread.
 When installing inlet/outlet fittings use RTV silicone sealant. Do Not Over Tighten Fittings.

Replacement Parts

Element Media Trap & Accessories	Ideal Vacuum Part Number	
	9.5 in. sump	4.5 in. sump
PolyPro 2 micron	P102746	P102754
PolyPro 5 micron	P102747	P102755
PolyPro 20 micron	P102748	P102756
Activated Charcoal	P102745	P102753
Copper Gauze	P102741	P102749
Stainless Steel	P102742	P102750
Molecular Sieve	P102743	P102751
SodaSorb	P102744	P102752
VisiTrap	P102737	P102738
KF25 3/4 in. MNPT inlet/outlet fitting	P102739	
KF40 3/4 in. MNPT inlet/outlet fitting	P102740	



5910 Midway Park Blvd. NE
 Albuquerque, NM 87109
 505-872-0037
www.idealvac.com