

## Exhaust Filters AF 4-8, AF 16-25, AF 40-65

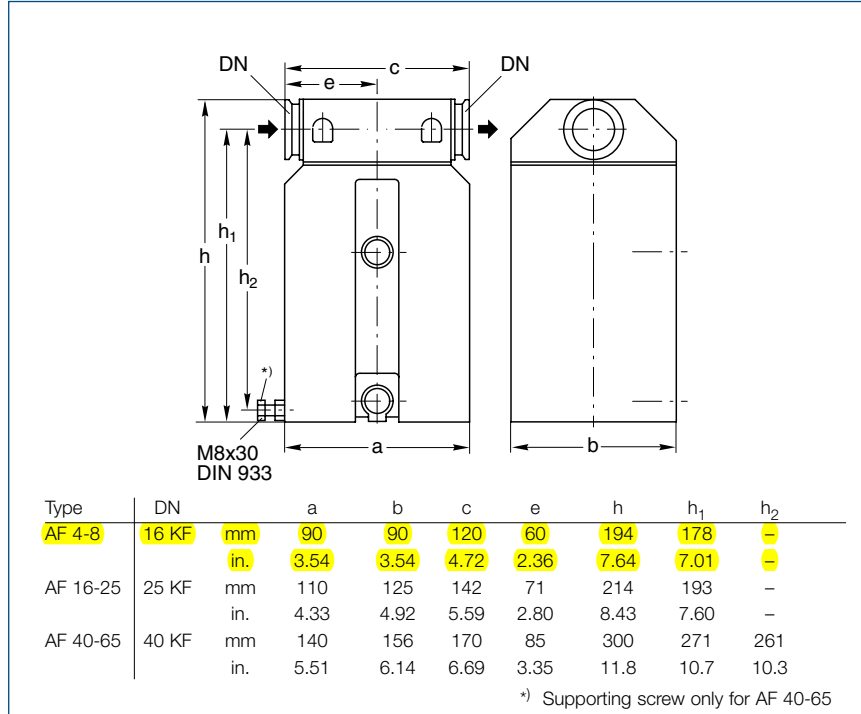


AF 4-8 exhaust filter

Exhaust filters retain oil mists and aerosols.

### Advantages to the User

- Can be fitted without additional accessories
- Separation efficiency over 99 %
- Exchangeable filter inserts
- Built-in over-pressure relief valve (threshold at about 1.5 bar (7.2 psi, differential))
- Sight glass for checking of the quantity of collected oil
- Resistant against solvents
- All seals made of FPM
- Easy to clean and use
- Retains dirt and cracked products



Dimensional drawing for the AF exhaust filter

### Typical Application

- Improvement of oil separating capacity

### Technical Information

An exhaust line must be connected in case of hazardous exhaust gases.



Technical Data		<b>AF 4-8</b>	<b>AF 16-25</b>	<b>AF 40-65</b>
Connection to pump	TRIVAC	D 4/8 B	D 16/25 B/BCS	D 40/65 B/BCS
Max. capacity for condensate, approx. I (qt)		0.4 (0.4)	0.5 (0.5)	1.0 (1)
Weight	kg (lbs)	1.9 (4.1)	3.2 (7.1)	6.5 (14.3)
Ordering Information		<b>AF 4-8</b>	<b>AF 16-25</b>	<b>AF 40-65</b>
Exhaust filter		<b>Part No. 189 06</b>	<b>Part No. 189 11</b>	<b>Part No. 189 16</b>
Replacement filter element				
FE 4-8		Part No. 189 71	-	-
FE 16-25		-	Part No. 189 72	-
FE 40-65		-	-	Part No. 189 73
Oil drain tap M 16 x 1.5 (vacuum-tight)		Part No. 190 90	Part No. 190 90	Part No. 190 90

Technical Data		<b>AF 16-25 DOT</b>		
Connection to pump	TRIVAC	-	D 16 B-DOT	-
Ordering Information		<b>AF 16-25 DOT</b>		
Exhaust filter		-	<b>Part No. 124 16</b>	-
Replacement filter element				
FE 16-25 DOT		-	Part No. 200 10 304	-