

KINNEY® KVAC™

Compound Rotary Vane Vacuum Pumps

Models: KVAC-5 KVAC-10 KVAC-15 KVAC-21

Features

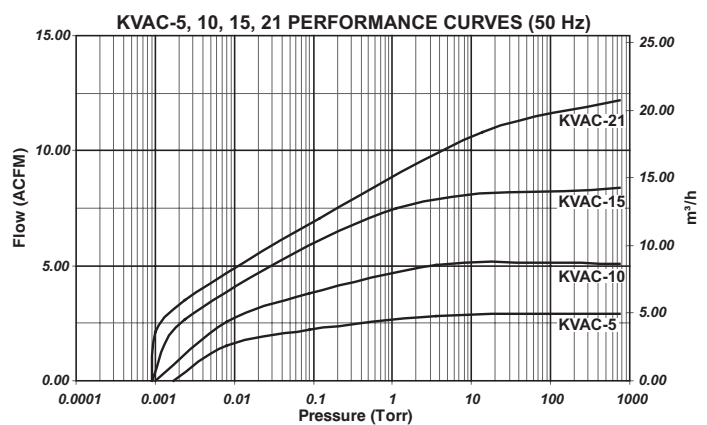
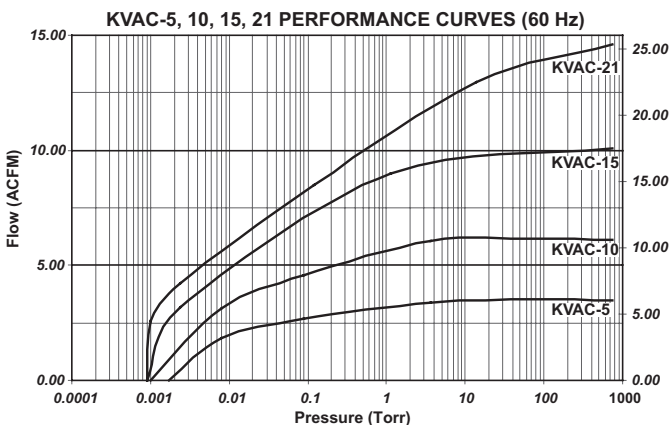
- Pumping Speed Range : 3.8 CFM – 15 CFM
- Universal Single-Phase or Three-Phase motors (UL/CSA/CE)
- Inlet and exhaust piping can be mounted vertically or horizontally
- Easy to operate: All controls are located on the front of the pump
- External shaft seal can be removed without dismantling the pump
- Gas Ballast and anti-suckback valves are standard equipment
- Alignment pins on pump modules for simple re-assembly
- Compact design
- Environment-friendly; very low oil mist emissions
- Low noise levels



Specifications

MODEL	PUMP SPEED		ULTIMATE PRESSURE TORR MBAR	GAS BALLAST PRESSURE TORR MBAR	WATER VAPOR TORR MBAR	MOTOR POWER HP	ROTATIONAL SPEED RPM	OIL CAPACITY QUART LITERS	NOISE LEVEL AT 1 METER DBA	INLET (ISO-KF) OUTLET (MM) FLANGE	WEIGHT PUMP & MOTOR LBS. KG
	CFM	m ³ /h									
KVAC-5	60 Hz	CFM 3.8 m ³ /h 6.5	1.5 × 10 ⁻⁴ 2.10 ⁻³	1.5 × 10 ⁻² 10 ⁻²	26.25 35	0.60	1750	.88 .83	56	25 25	55 25
	50 Hz	CFM 3.2 m ³ /h 5.4									
KVAC-10	60 Hz	CFM 6.8 m ³ /h 11.6	1.5 × 10 ⁻⁴ 2.10 ⁻³	1.5 × 10 ⁻² 10 ⁻²	15.00 20	0.60	1750	1.0 .95	56	25 25	57.2 26
	50 Hz	CFM 5.7 m ³ /h 9.7									
KVAC-15	60 Hz	CFM 10.6 m ³ /h 18	1.5 × 10 ⁻⁴ 2.10 ⁻³	1.5 × 10 ⁻² 10 ⁻²	9.00 12	0.60	1750	1.0 .95	57	25 25	59.4 27
	50 Hz	CFM 8.8 m ³ /h 15									
KVAC-21	60 Hz	CFM 14.6 m ³ /h 24.8	1.5 × 10 ⁻⁴ 2.10 ⁻³	1.5 × 10 ⁻² 10 ⁻²	5.25 7	0.60	1750	1.1 .98	58	25 25	61.6 28
	50 Hz	CFM 12.2 m ³ /h 20.7									

Typical Pumping Speed Curves



idealvac.com

Ideal
vacuum products
(505)872-0037
idealvac.com

LEADING THE SEARCH FOR NEW SOLUTIONS

TUTHILL
Vacuum & Blower Systems

4840 West Kearney Street, P. O. Box 2877
Springfield, Missouri USA 65801-2877
Tel 417 865-8715 800 825-6937 Fax 417 865-2950
<http://vacuum.tuthill.com>

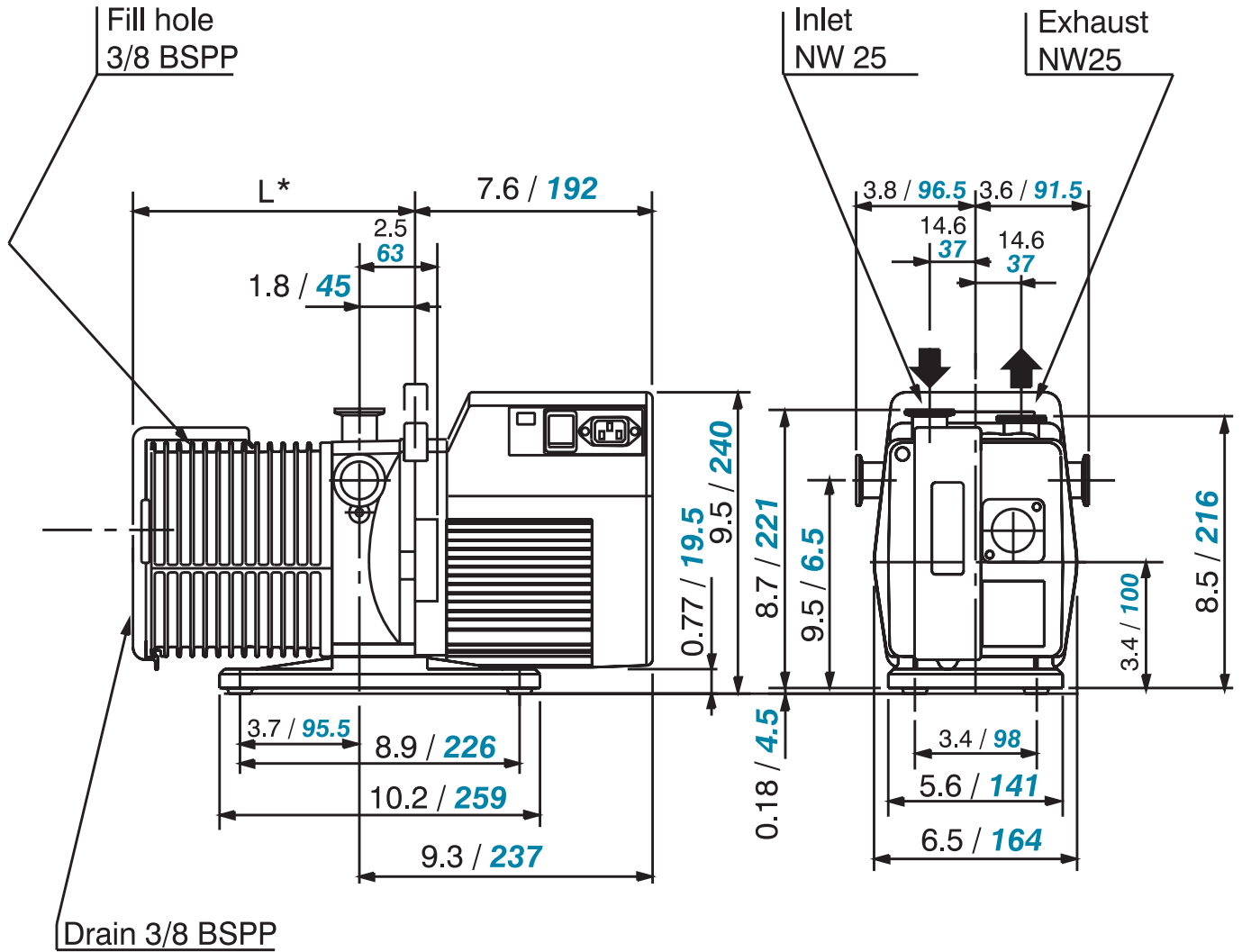


Dimensions:

Values shown are approximate and should not be used for construction. Certified drawings are available through your local Tuthill Vacuum & Blower Systems Sales Professional. Dimensions are shown in inches and **millimeters**.

Models: **KVAC-5** **KVAC-10** **KVAC-15** **KVAC-21**

(Single-Phase and Three-Phase motor dimensions are the same. Single-Phase motor comes with plug-in power cord; Three-Phase motors do not come with cord.



*** L = Length**

MODEL	LENGTH	
	Inches	mm
KVAC-5	9	228
KVAC-10	9.6	245
KVAC-15	10.6	270
KVAC-21	9	228



LEADING THE SEARCH FOR NEW SOLUTIONS



TUTHILL
 Vacuum & Blower Systems

4840 West Kearney Street, P. O. Box 2877
 Springfield, Missouri USA 65801-2877
 Tel 417 865-8715 800 825-6937 Fax 417 865-2950
<http://vacuum.tuthill.com>



REGISTERED
 VACUUM & BLOWER SYSTEMS
ISO 9001
 TUTHILL CORPORATION
 INTERNATIONAL QUALITY STANDARD