

EM18 VACUUM PUMPS - PRODUCT SERVICE RECOMMENDATIONS

Performance optimisation through regular maintenance.



As with all mechanical devices, regular maintenance can help ensure optimised, safe performance of your Edwards EM Series vacuum pump. Please refer to the maintenance schedule for recommended maintenance guidelines and intervals*.

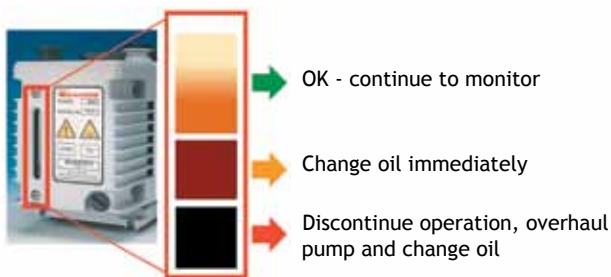
Edwards offers oils, service kits and component spares for complete pump/accessory overhaul and blade replacement.

** Remember that corrosive or abrasive applications, or the use of gas ballast, may increase the required frequency of service activities.*

Oil Condition

The condition of oil used in mechanical pumps deteriorates over time and by contamination from process gases and byproducts, indicated by a progressive change of oil color. Regular replacement of oil will minimise wear and tear on contacting parts and prolong good vacuum performance.

Edwards recommends regular checks on the oil colouration and replacement every 3,000 hours (4 months) depending on application.



Clean and Overhaul

Regular cleaning of the vacuum pump to remove process deposits and replacement of the seals to prevent oil and vacuum leaks is essential to maintaining high performance of the product, as well as a clean, safe operating environment. A clean and overhaul kit contains all the parts needed for routine cleaning of your pump.

Blade (vane) replacement

Blades (vanes) on a rotary pump will wear during normal operation. Edwards recommends replacing them every 30,000 hours (40 months), or as your process conditions dictate. A blade kit contains a full set of blades and typically is used in conjunction with a clean and overhaul kit.

Accessories

If accessories are fitted to your pump, they too will require regular checks and maintenance. A blocked dust filter, for example, can significantly reduce the efficiency of a pump.

Act responsibly and safely

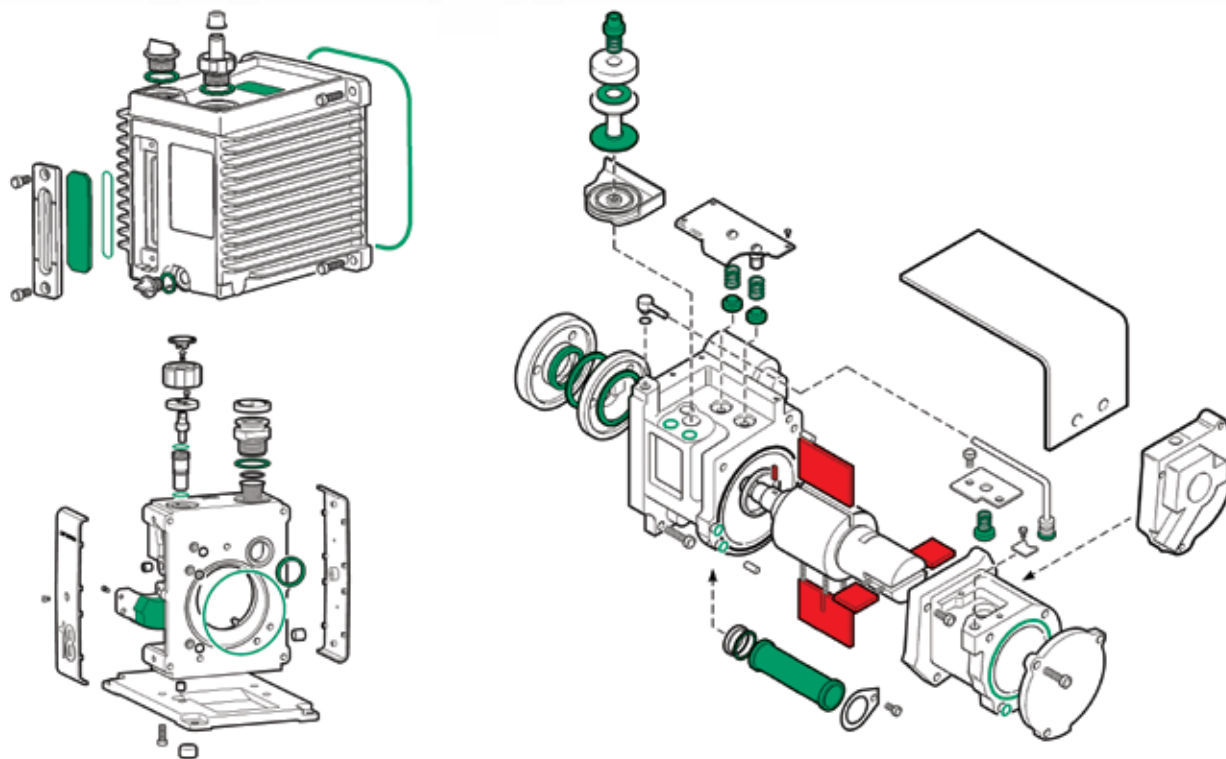
Edwards cares about the health and safety of people and the environment. Please remember to dispose of used or contaminated oil, cleaning solutions and components responsibly and safely.

Edwards services

If you prefer maintenance of your products to be performed with the assurances and guarantees of OEM standards, Edwards offers a full range of maintenance, overhaul and exchange services that include safe disposal of oil, fluids and used components. Contact us for further information.

MAINTENANCE SCHEDULE AND SPARE PARTS

Clean and overhaul kit: A36301131 (items in green below) Blade kit: A34301130/A36301020 (items in red below)



Maintenance Schedule Interval	Change the oil every 3,000 hrs/4 months	Clean and overhaul every 15,000 hrs/20 months	Replace blades every 30,000 hrs/40 months
	Mineral Oil	Clean & Overhaul Kit	Blade Kit
E1M18	H11025015	A36301131	A34301130
E2M18	H11025015	A36301131	A36301020

Accessory Maintenance		Check/Change Filters		Check/Change Sorbents	
		Every month	Every 6 months	Refer to manual	Refer to manual
		Odor/Dust Element	Oil Element	Charcoal	Alumina
Outlet Mist Filter	EMF 3	A22304081	A22304197	-	-
Outlet Mist Filter	EMF 10	A22304079	A22304198	-	-
Outlet Mist Filter	EMF 20	A22304077	A22304199	-	-
Inlet Chemical Trap	ITC 20K	-	-	H12205001	H02600056
Inlet Dust Filter	ITF 20K	A44201800	-	-	-
Foreline Trap	FL 20K	-	-	-	H02600056

This is one of a range of datasheets provided by Edwards to help you check, maintain and optimise product performance. Please visit www.edwardsvacuum.com or contact us for other editions, accessory information or product specifications and test procedures.

Global Contacts

EUROPE

UK Crawley +44 1293 528844
 UK Local Rate (UK only) 08459 212223
 Belgium Brussels +32 2 300 0730
 France Paris +33 1 4121 1256
 Germany Munich 0800 000 1456
 Italy Milan +39 02 48 4471

USA

Tewksbury, MA +1 978 658 5410
 Toll free (USA only) +1 800 848 9800

ASIA PACIFIC

Taiwan R.O.C. Toufen Town +886 37 611 422
 Singapore +65 6546 8408

BRAZIL

Sao Paulo +55 11 3952 5000

CHINA

Shanghai +86 21 5866 9618

INDIA

Pune +91 20 4075 2222

ISRAEL

Qiryat-Gat +972 8 681 0633

KOREA

Bundang +82 31 716 7070

JAPAN

Yachiyo +81 47 458 8831



[WWW.EDWARDSVACUUM.COM](http://www.edwardsvacuum.com)

info@edwardsvacuum.com

Rev 01/2009
 Publication Number: A34301895, Issue B
 © Edwards Limited 2009. All rights reserved.
 Edwards and the Edwards logo are trade marks of Edwards Limited.