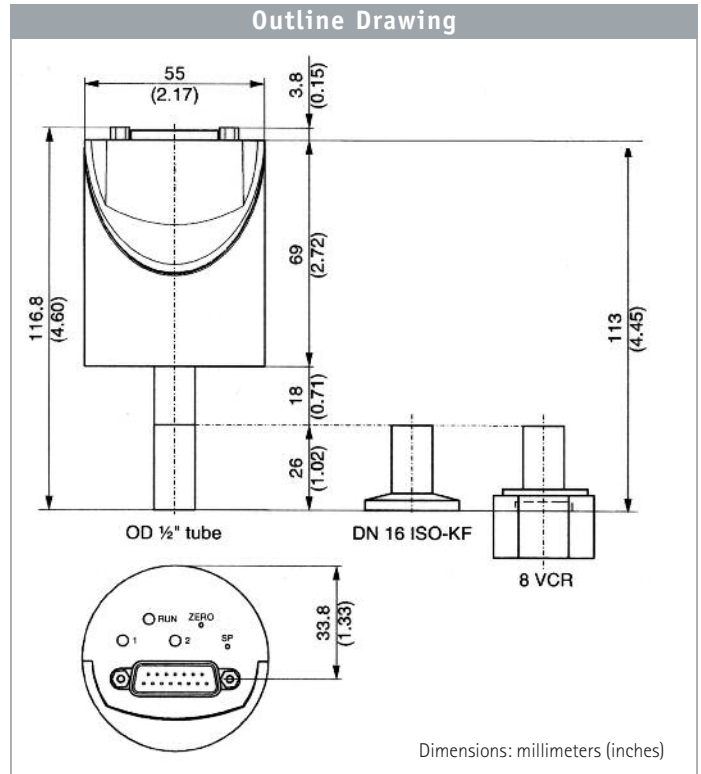


CDG-500



The Varian CDG-500 series of temperature compensated Capacitance Diaphragm gauges provides a high level of accuracy in the high pressure region. Full scale measurement ranges are available from 1000 Torr to 1 Torr. The CDG-500 series uses a corrosion resistant ultra pure alumina ceramic diaphragm providing exceptional signal stability, fast recovery from atmosphere, short warm-up times and unparalleled robustness.



Applications

- General thin film and vacuum processes
- Industrial vacuum processes
- Data storage and display manufacturing
- Etch, CVD, PVD and other semiconductor production processes
- Reference sensor for monitoring of test instruments
- Transfer standard for traceability measurements

Features

Full scale ranges from 1 to 1000 Torr with push button zeroing and optional set point control

Excellent long term signal stability and repeatability

Fast recovery from atmospheric pressures and rapid stabilization after start-up

Corrosion resistant ceramic sensor with sensor shielding protection

Benefits

Ease of integration

Long term performance – comparable to competitor's heated versions

Reduces process cycle times

Application robustness

CDG-500

Technical Specifications						
Measurement range (full scale)	Torr	1000	100	10	1	
	Pa	133,322	13,332	1,333	133	
	mbar	1333	133	13.3	1.3	
Accuracy ¹	% of reading	0.2	0.2	0.2	0.2	
Temperature effect	on zero	% F.S./°C	0.005	0.005	0.005	0.015
	on span	% of reading/°C	0.01	0.01	0.01	0.01
Resolution	% F.S.	0.003	0.003	0.003	0.003	
Pressure, maximum	kPa (absolute)	400	260	260	260	
Lowest reading	% F.S.	0.01				
Lowest suggested reading	% F.S.	0.05				
Lowest suggested control pressure	% F.S.	0.05				
Temperature	Operation (ambient)	Bakeout (at flange) ²		Storage		
	5 to 50 °C	≤ 110 °C		-40 to 65 °C		
Supply voltage	14 to 30 VDC					
Power consumption	≤ 1 W					
Output signal (analog)	0 to 10 VDC					
Response time	30 ms					
Degree of protection	IP30					
Electrical connection	D-sub, 15 pole, male					
Setpoints ³ – Two (2) setpoints, SP 1 and SP 2	Relay Contact	Hysteresis				
	30 VDC; ≤ 0.5 ADC	1% of F.S.				
Materials exposed to vacuum	Aluminum oxide ceramic (Al ₂ O ₃), Vacon 70 ⁴ , stainless steel (AISI 316L ⁵) AgCuTi hard solder, sealing glass					

¹ Non-linearity, hysteresis, repeatability at 25°C ambient operating temperature without temperature effects after 2 hours operation

² Non operating

³ CDG-500 setpoint versions only

⁴ 28% Ni, 23% Co, 49% Fe

⁵ 18% Cr, 10% Ni, 3% Mo, 69% Fe

Ordering Information

Description	KF16	VCR8
CDG-500 Capacitance Diaphragm Gauge (1000 Torr)	CDG500T1000KF16	CDG500T1000VCR8
CDG-500 Capacitance Diaphragm Gauge (100 Torr)	CDG500T0100KF16	CDG500T0100VCR8
CDG-500 Capacitance Diaphragm Gauge (10 Torr)	CDG500T0010KF16	CDG500T0010VCR8
CDG-500 Capacitance Diaphragm Gauge (1 Torr)	CDG500T0001KF16	CDG500T0001VCR8
CDG-500 Capacitance Diaphragm Gauge (1000 Torr) with setpoints	CDG500T1000KF16S	CDG500T1000VCR8S
CDG-500 Capacitance Diaphragm Gauge (100 Torr) with setpoints	CDG500T0100KF16S	CDG500T0100VCR8S
CDG-500 Capacitance Diaphragm Gauge (10 Torr) with setpoints	CDG500T0010KF16S	CDG500T0010VCR8S
CDG-500 Capacitance Diaphragm Gauge (1 Torr) with setpoints	CDG500T0001KF16S	CDG500T0001VCR8S

United States
 Varian Inc., Vacuum Technologies
 121 Hartwell Avenue
 Lexington, MA 02421 USA
 Tel: (781) 861 7200
 Fax: (781) 860 5437
 Toll Free 1 (800) 882 7426

Europe
 Varian Inc., Vacuum Technologies
 Via F.lli Varian 54
 10040 Leini, (Torino) Italy
 Tel: (39) 011 997 9 111
 Fax: (39) 011 997 9 350
 Toll Free 00 800 234 234 00

WWW.VARIANINC.COM/VACUUM



Agilent Technologies