



**MVP 020-3 AC, 100-120/200-230 V, 50/60 Hz**

**High-performance diaphragm pump with a pumping speed  
of up to 20 l/min**

**PFEIFFER**  **VACUUM**

Pfeiffer Vacuum · Headquarters/Germany

Tel. +49 (0) 6441 802-0 · Fax +49 (0) 6441 802-202 · info@pfeiffer-vacuum.de · www.pfeiffer-vacuum.net

# Product information - Diaphragm pumps

## MVP 020-3 AC, 100-120/200-230 V, 50/60 Hz

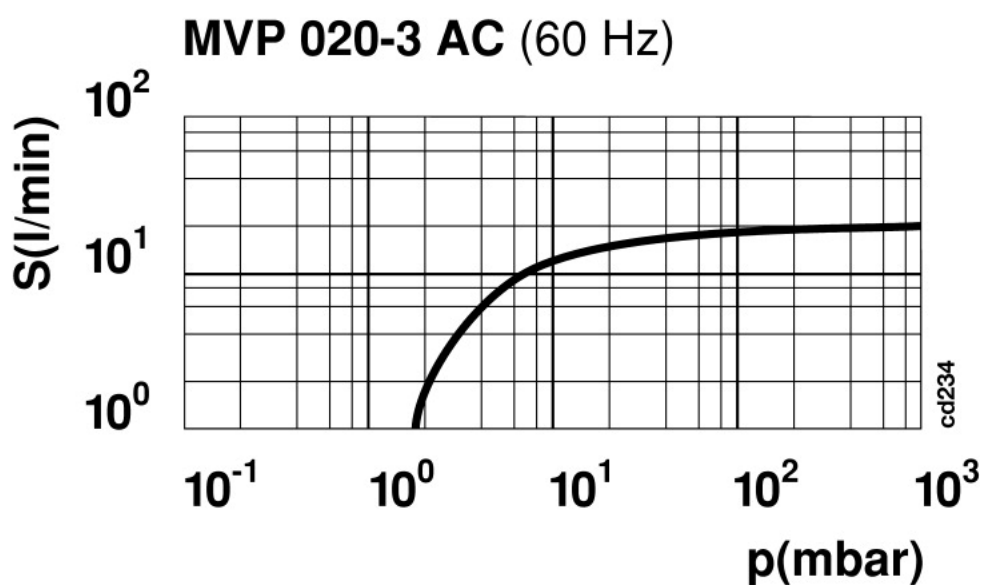
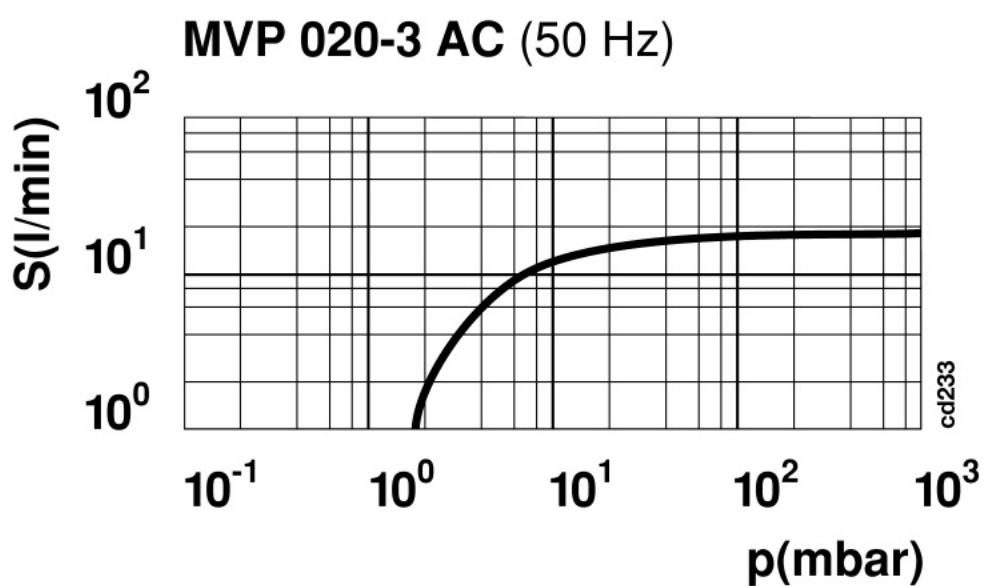
### MVP 020-3 AC



Similar Image

- ▶ High-performance diaphragm pump with a pumping speed of up to 20 l/min
- ▶ For mains voltage: 100-120 V, 50 Hz respectively 200-230 V, 60 Hz
- ▶ Ideal for applications where a dry and oil-free vacuum is required

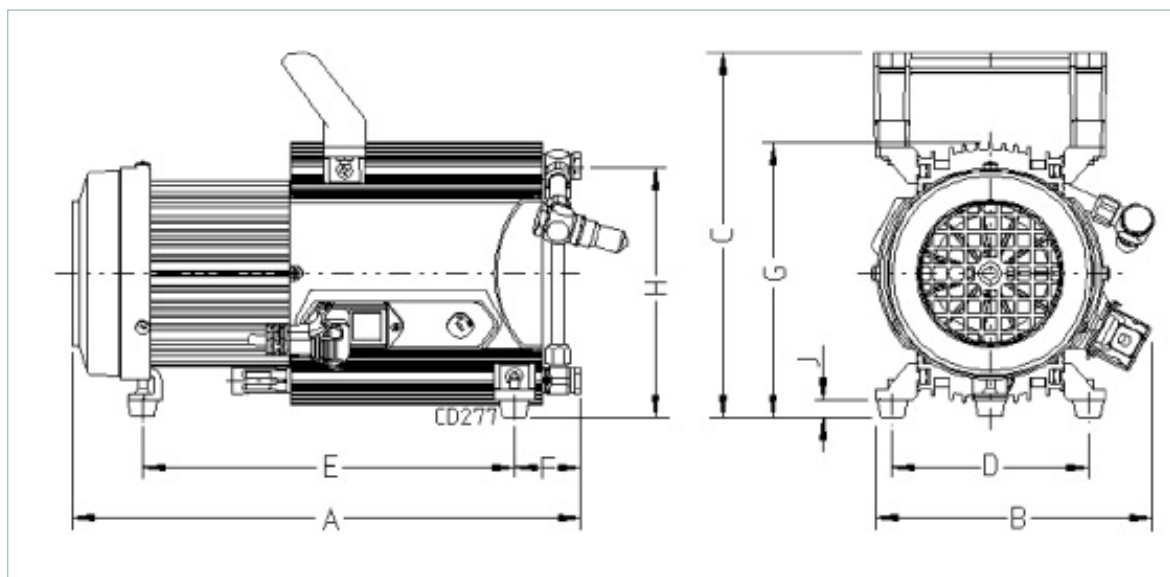
### Characteristics



# Product information - Diaphragm pumps

## MVP 020-3 AC, 100-120/200-230 V, 50/60 Hz

### Dimensions



### Technical Data

### MVP 020-3 AC, 100-120/200- 230 V, 50/60 Hz

Ambient temperature	12-40 °C
Exhaust pressure max.	1100 mbar
Flange (in)	G 1/8" elbow union + enclosed hose DN 6 x 1000 mm with a elbow union in G 1/4" at the end
Flange (out)	G 1/8" + silencer
Leak rate	$1 \cdot 10^{-1}$ mbar l/s
Mains requirement: voltage (selectable)	100-120/200-230 V, 50/60 Hz
Motor rating	80 W
Nominal pumping speed at 50 Hz	1.2 m <sup>3</sup> /h
Nominal pumping speed at 60 Hz	1.4 m <sup>3</sup> /h
Rated current absorption	100-120 V 50/60 Hz, 1.7 A ; 200-230 V 50/60 Hz, 0.85 A
Rotation speed at 50 Hz	1500 rpm
Rotation speed at 60 Hz	1800 rpm
Sound pressure level	48 dB (A)
Switch	Yes
Ultimate pressure with flushing gas nozzle	3 mbar
Ultimate pressure without gas ballast	2 mbar
Weight	6.5 kg

### Order number

**PKT01100**

# Product information - Diaphragm pumps

## MVP 020-3 AC, 100-120/200-230 V, 50/60 Hz

### Accessories

MVP 020-3 AC, 100-120/200-230 V, 50/60 Hz

Flushing gas nozzle for MVP 020-3 AC/DC	PK050122
Mains cable 115 / 230 V without plug, right angle IEC 320/C13 socket, 3 m	PK050111
Mains cable 115 V with UL-plug, right angle IEC 320/C13 socket, 2 m	PK050110
Mains cable 230 V with safety plug CEE 7, right angle IEC 320/C13 socket, 2 m	PK050109
Screw-in flange DN 16 ISO-KF / G 1/8" incl. seal	PK050108-T