

IDP-3 Scroll Pump

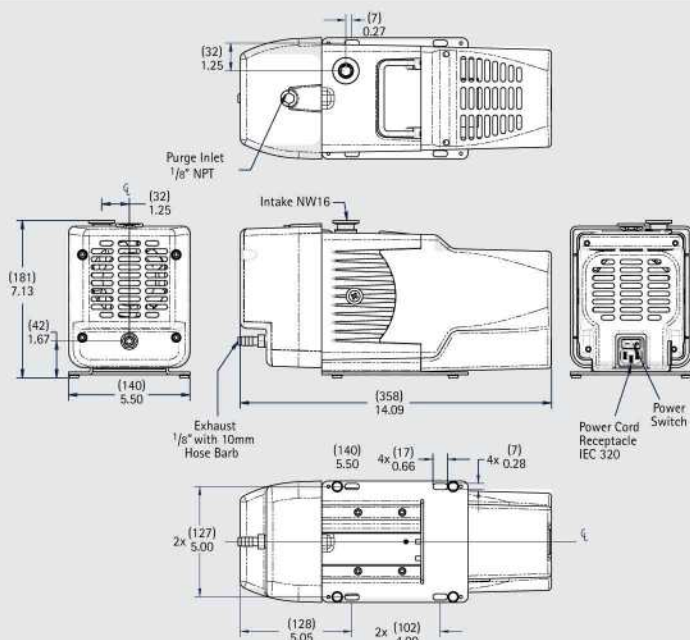


\$2,595.00

TECHNICAL SPECIFICATIONS

Peak pumping speed	60 l/m – 60 l/m, 3.6 m ³ /hr, 2.1 cfm 50 Hz – 50 l/m, 3.0 m ³ /hr, 1.8 cfm
Ultimate pressure	2.5 x 10 ⁻¹ torr (3.3 x 10 ⁻¹ mbar)
Maximum inlet pressure	1 atmosphere (0 psig)
Maximum outlet pressure	1.4 atmospheres (6.5 psig)
Inlet connection	NW16 KF flange
Exhaust connection	Female 1/4" NPT (10 mm hose barb provided)
Exhaust connection adapter	NW16 KF adapter provided
Gas ballast connection	Female 1/8" NPT
Ambient operating temperature	5 to 40°C (41 to 104°F)
Storage temperature	-20 to 60 °C (-4 to 140°F)
Motor rating	0.16 horsepower (0.12 kW)
Supply power	1 phase – 100 VAC, 50-60 Hz, 115 VAC, 60 Hz 220-240 VAC, 50-60 Hz
Motor thermal protection	Automatic
Rotation speed	3200 RPM at 60 Hz 2600 RPM at 50 Hz
Cooling	Air-cooled
Weight	9.5 kg (21 lbs.)
Shipping weight	10.5 kg (23 lbs.)
Restrictions	No corrosive, explosive, or particulate-forming gases
Leak rate	<1 x 10 ⁻⁶ std-cc/sec helium
Noise level (per ISO 11201)	55 dB(A)
Vibration level at inlet (per ISO 10816-1)	1.5 mm/sec
Compliances	Conforms with CE, CSA, CSA/CUS, Semi S2-703, and RoHS

OUTLINE DRAWING



IDP-3 Scroll Pump vs. Rotary Vane

- > The oil-free technology of the IDP-3 eliminates the possibility of oil contamination in the vacuum system or of oil spills or leaks into the work environment.
- > Maintenance of the IDP-3 Dry Scroll Pump requires only a simple, infrequent tip seal change as compared to oil checks, changes, and disposal.
- > The IDP-3 Dry Scroll Pump does not depend on the presence of sufficient oil to prevent seizing.

The IDP-3 is a compact, high performance dry pump that provides affordable oil-free vacuum and easy system integration, and is suitable for a wide variety of applications. The IDP-3 employs an innovative hermetic design in which the motor and bearings are outside the vacuum

space, allowing full isolation of all pumped gases. Delivering a robust pumping speed of 60 l/m and a very low base pressure of less than 250 milliTor, the IDP-3 provides all the advantages of Varian's patented scroll pump technology in a compact, lightweight, cost-effective package.



Ideal Vacuum Products, LLC
2401B Phoenix Ave. NE
Albuquerque, NM 87107
Phone: (505) 872-0037
idealvac.com or pchemlabs.com

IDP-3 Scroll Pump



Analytical Instrumentation

Monitoring and maintenance of oil sealed rotary vane vacuum pumps and the disposal of oil are a nuisance in a laboratory environment. The high capacity IDP3 provides the pumping speed and base pressure required for your instruments that is simply not available with other types of dry pump technologies and allows the elimination of oil from your laboratory.

- GC/MS
- Residual gas analyzers
- Load locks for mass spectrometers
- Electron microscopes
- Surface area analyzers
- EM Sample prep coaters



High Energy Physics

Chamber evacuation and backing of turbo pumps on beam lines are just some of the applications that benefit from the clean, dry pump technology of the IDP-3. Its compact, rugged, high performance design makes it a superior choice over membrane pumps, and the 55 dBA noise spec makes it virtually unnoticeable when working around it.

- Accelerators
- Beam lines
- Synchrotrons



Industrial processing

Cleanliness of vacuum is critical for many precision components such as optics, lasers, and electron devices. With its hermetically sealed design and all bearings outside the vacuum space, the IDP3 is the ideal dry pump to provide clean vacuum. Its low 250 milli Torr base pressure and high pumping speed makes it a superior choice over membrane pumps.

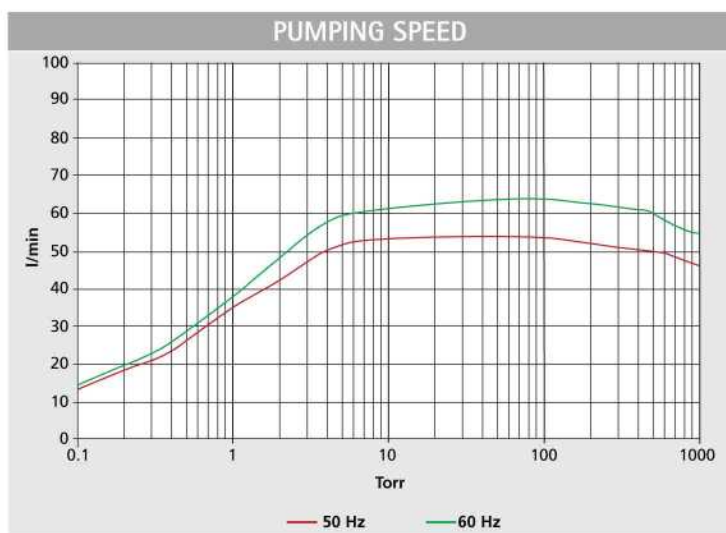
- Laser evacuation
- Cryogenic dewars
- Glove boxes
- Gas recovery and recirculation
- Cryopump roughing
- Tube processing
- Vacuum chucks



General Research & Development

A cost effective solution for clean vacuum when fast pumpdown times are desired. The IDP-3 outperforms other dry technologies in having higher retained pumping speed both at high pressure and at base vacuum.

- Experimental chambers
- Sample prep systems
- Surface analysis systems
- Backing turbo pump on beam lines



ORDERING INFORMATION

Description	Part Number
IDP-3 dry vacuum pump, 1 Ph, 220 VAC, 50/60 Hz	IDP3A01
IDP-3 dry vacuum pump, 1 Ph, 115 VAC, 60 Hz	IDP3B01
IDP-3 dry vacuum pump, 1 Ph, 100 VAC, 50/60 Hz	IDP3C01
IDP-3 dry vacuum pump with optional hour meter, 1 Ph, 220 VAC, 50/60 Hz	IDP3A11
IDP-3 dry vacuum pump with optional hour meter, 1 Ph, 115 VAC, 60 Hz	IDP3B11
IDP-3 dry vacuum pump with optional hour meter, 1 Ph, 100 VAC, 50/60 Hz	IDP3C11
Tip seal kit	IDP3TS
Replacement module	IDP3