

DS-102



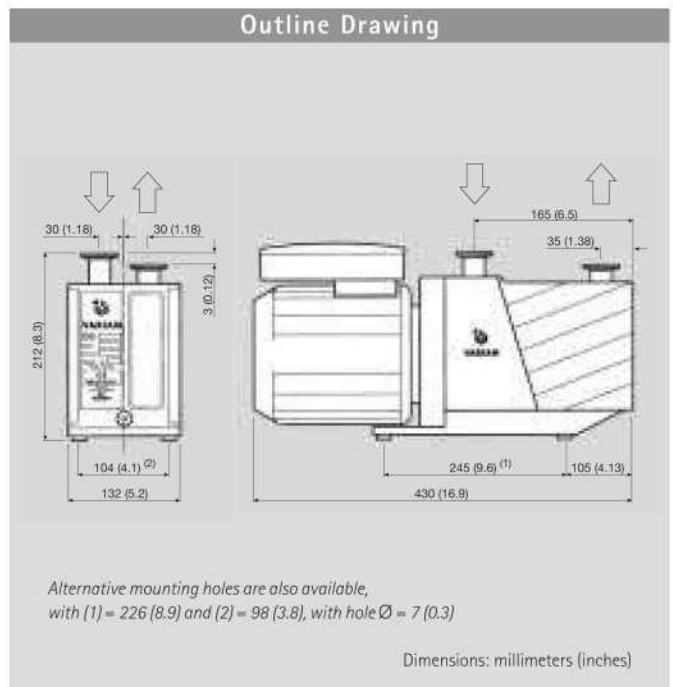
VARIAN

\$ 1,899.00

A Reliable Line of Pumps to Cover the Most Demanding Industrial and Scientific Applications

Varian Vacuum Technologies' new DS line of Rotary Vane Pumps are designed and manufactured to meet the demanding requirements of various industrial and scientific applications.

Thanks to a very simple and highly reliable design, these field



proven rotary vane pumps provide excellent vacuum performance. Varian's quality and manufacturing standards ensure that the DS Rotary Vane Pumps provide high pumping stability for light gases, low noise, minimal oil backstreaming, and a long operating life.

Varian's DS Rotary Vane Pumps conform with CE requirements, and all pump motors are UL and CSA approved. Varian's world class technical support organization makes the DS Rotary Vane Pump cost-effective and well suited for a wide range of applications.

Technical Specifications

| | | |
|---|--------------------------|---|
| Free air displacement | 60 Hz: 114 l/min (4 cfm) | 50 Hz: 95 l/min (5.7 m ³ /h) |
| Pumping speed* | 60 Hz: 3.5 cfm | 50 Hz: 5 m ³ /h |
| Ultimate partial pressure* | | 10 ⁻⁴ mbar |
| Ultimate total pressure* | | 2 x 10 ⁻³ mbar |
| Ultimate total pressure with gas ballast* | | 2 x 10 ⁻² mbar |
| Water vapor tolerance | | 15 mbar |
| Water vapor capacity | | 60 g/h |
| Oil capacity min/max | | 0.2/0.5 l |
| Motor rating 1ph | 60 Hz: 0.55 kW | 50 Hz: 0.45 kW |
| Nominal rotation speed | 60 Hz: 1800 rpm | 50 Hz: 1500 rpm |
| Weight kg (lbs) | | 22 (48) |
| Inlet flange | | 25KF DN |
| Exhaust flange | | 25KF DN |

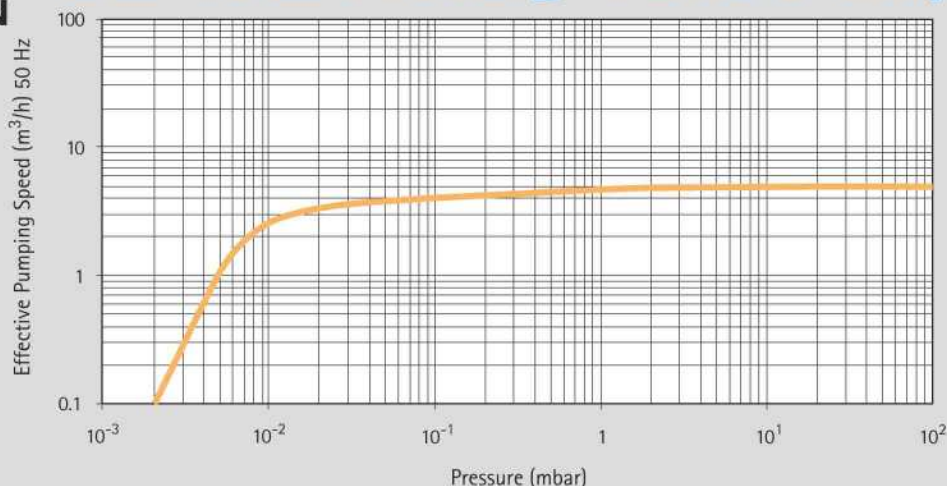
*According to PNEUROP 6602



Ideal Vacuum Products, LLC
 2401B Phoenix Ave. NE
 Albuquerque, NM 87107
 Phone: (505) 872-0037
idealtvac.com or pchemlabs.com



DS-102 Rotary Vane Pump



• Industrial Vacuum Processes

Vacuum coatings, Metallurgy Vacuum Furnaces, Lamps and TV Tube manufacture, Sterilizers, Freeze Dryers, Glove Boxes, High Speed Centrifuges, and Flywheels (for energy storage) represent the main Industrial applications for Dual Stage Rotary Vane pumps. In the first four fields of application the Rotary Pumps are used as roughing and backing pumps for High Vacuum Turbo or Diffusion pumps, while in the others the Rotary Pumps are typically the only vacuum pumps on the system.

• High Energy Physics and Research Laboratories

In these applications the Rotary Vane pumps are mainly used in combination with Turbo pumps. The combination is typically used to rough and pump High Vacuum experimental chambers or to start Ion Pumps in ultra high vacuum systems.

• Analytical Instruments

Dual Stage Rotary Vane Pumps are practically the only primary vacuum pumps used on GC-MS, LC-MS, ICP-MS, and MALDI-TOF Instruments.

GC-MS typically uses our smallest pump, the DS102; the pump is needed to rough the system and back the high vacuum Turbo or Diffusion pump.

LC-MS and ICP-MS use a medium capacity pump on the sample injection/system interface, typically a DS402 or a DS602, and a smaller pump to back the system Turbo pumps.

MALDI-TOF depending on system size, uses the DS102 to the DS602 as roughing or interface pumps.

Mass Spectrometry

The new HS 452 and HS 652 address all the requirements of LC-MS and ICP-MS applications:

- Large pumping capacity
- Consistent worldwide performance
- Single phase
- Universal voltage and frequency compatibility
- Low power requirements
- Remote control and diagnostic
- Adjustable performance

Ordering Information

Dual Stage Rotary Vane Pump Part Number

DS 102 with 1 phase worldwide motor* 9499315

* 1 phase motors (100-120 / 200-240) V ±10%, 50/60 Hz.

All motors comply with CE and UL/CSA standards.

Minor Maintenance Kit Part Number

Contains all the valves, O-rings and seals to refurbish the pump to vacuum integrity 9499370

Major Maintenance Kit Part Number

Includes all the items of the minor kit plus the vanes 9499380

Oil and Accessories Part Number

Rotary vane fluid, GP type, 1 liter 9499390

Rotary vane fluid, GP type, 1 liter (USA)* K7516301

Rotary vane fluid, GP type, 2 liters 9499391

Rotary vane fluid, GP type, 1 gallon (USA) K7516302

Oil mist eliminator 9499395

Oil mist replacement cartridge (pkg. of 2) 9499394

NW 25 oil exhaust filter 9499392

NW 25 oil exhaust replacement cartridge 9499342



Ideal Vacuum Products, LLC
 2401B Phoenix Ave. NE
 Albuquerque, NM 87107
 Phone: (505) 872-0037
 idealvac.com or pchemlabs.com