



**MVP 040-2, 100-115 V ( $\pm 10\%$ ) 50/60 Hz, 120 V ( $\pm 10\%$ )  
60 Hz, 200-230 V ( $\pm 10\%$ ) 50/60 Hz**

**Robust and high-performance diaphragm pump with a  
pumping speed of up to 40 l/min**

**PFEIFFER**  **VACUUM**

Pfeiffer Vacuum · Headquarters/Germany

Tel. +49 (0) 6441 802-0 · Fax +49 (0) 6441 802-202 · [info@pfeiffer-vacuum.de](mailto:info@pfeiffer-vacuum.de) · [www.pfeiffer-vacuum.net](http://www.pfeiffer-vacuum.net)

# Product information - Diaphragm pumps

**MVP 040-2, 100-115 V ( $\pm 10\%$ ) 50/60 Hz, 120 V ( $\pm 10\%$ ) 60 Hz, 200-230 V ( $\pm 10\%$ ) 50/60 Hz**

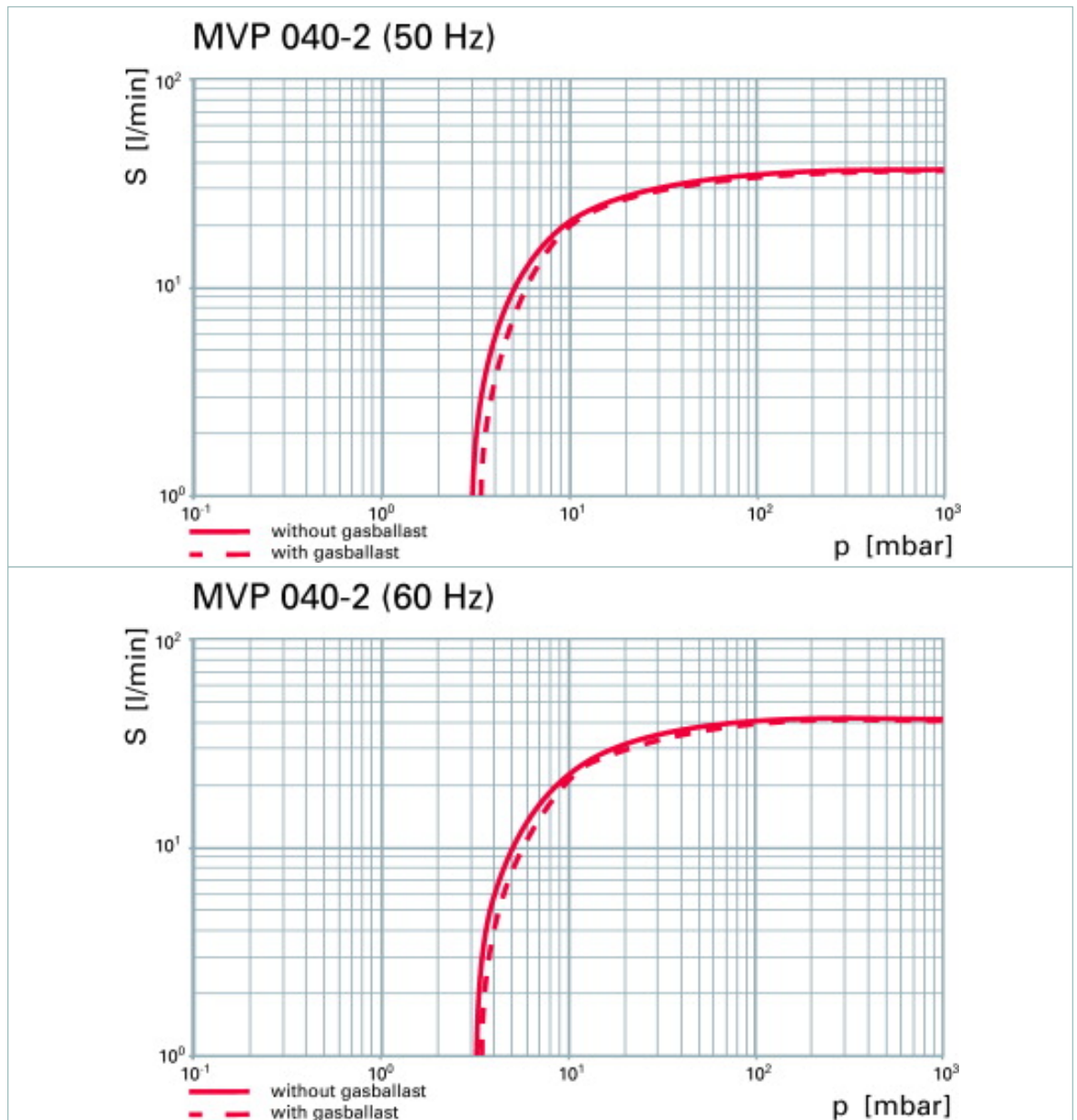
## MVP 040-2



Similar Image

- ▶ Robust and high-performance diaphragm pump with a pumping speed of up to 40 l/min
- ▶ For mains voltage: 90-126/180-254 V, 50/60 Hz
- ▶ Integrated gas ballast valve allows few amounts of humidity
- ▶ Ideal for applications where a dry and oil-free vacuum is required

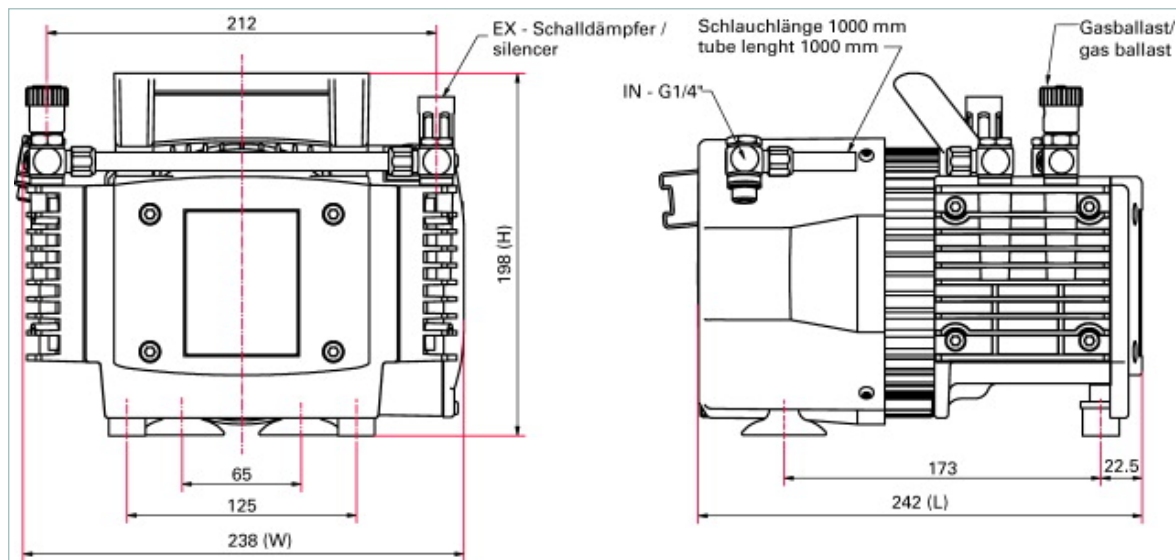
## Characteristics



# Product information - Diaphragm pumps

**MVP 040-2, 100-115 V ( $\pm 10\%$ ) 50/60 Hz, 120 V ( $\pm 10\%$ ) 60 Hz,  
200-230 V ( $\pm 10\%$ ) 50/60 Hz**

## Dimensions



# Product information - Diaphragm pumps

## MVP 040-2, 100-115 V ( $\pm 10\%$ ) 50/60 Hz, 120 V ( $\pm 10\%$ ) 60 Hz, 200-230 V ( $\pm 10\%$ ) 50/60 Hz

Technical Data	MVP 040-2, 100-115 V ( $\pm 10\%$ ) 50/60 Hz, 120 V ( $\pm 10\%$ ) 60 Hz, 200-230 V ( $\pm 10\%$ ) 50/60 Hz
Ambient temperature	12-40 °C
Exhaust pressure max.	1100 mbar
Flange (in)	G 1/4" elbow union with enclosed hose 10/8, 1000 mm with an elbow union in G 1/4" at the end
Flange (out)	G 1/4" + silencer
Leak rate	$1 \cdot 10^{-2}$ mbar l/s
Mains requirement: voltage (selectable)	100-115 V ( $\pm 10\%$ ) 50/60 Hz ; 120 V ( $\pm 10\%$ ) 60 Hz ; 200-230 V ( $\pm 10\%$ ) 50/60 Hz
Motor rating	180 W
Nominal pumping speed at 50 Hz	2.3 m <sup>3</sup> /h
Nominal pumping speed at 60 Hz	2.5 m <sup>3</sup> /h
Rated current absorption	100-115 V 50/60 Hz, 3.4 A ; 120 V 60 Hz, 3.4 A ; 200-230 V 50/60 Hz, 1.8 A
Rotation speed at 50 Hz	1500 rpm
Rotation speed at 60 Hz	1800 rpm
Sound pressure level	51 (50 Hz) 53 (60 Hz) dB (A)
Switch	Yes
Ultimate pressure with gas ballast	5 mbar
Ultimate pressure without gas ballast	4 mbar
Weight	11.4 kg
<b>Order number</b>	<b>PKT01210</b>

# Product information - Diaphragm pumps

**MVP 040-2, 100-115 V ( $\pm 10\%$ ) 50/60 Hz, 120 V ( $\pm 10\%$ ) 60 Hz,  
200-230 V ( $\pm 10\%$ ) 50/60 Hz**

## Accessories

**MVP 040-2, 100-115  
V ( $\pm 10\%$ ) 50/60 Hz,  
120 V ( $\pm 10\%$ ) 60  
Hz, 200-230 V ( $\pm  
10\%$ ) 50/60 Hz**

Backing pump relay box, single phase 5 A, for TC 110/TCP 350	<b>PM061372-T</b>
Backing pump relay box, single phase 5 A, for TC 400/1200	<b>PM061374-T</b>
Mains cable 115 / 230 V without plug, right angle IEC 320/C13 socket, 3 m	<b>PK050111</b>
Mains cable 115 V with UL-plug, right angle IEC 320/C13 socket, 2 m	<b>PK050110</b>
Mains cable 230 V with safety plug CEE 7, right angle IEC 320/C13 socket, 2 m	<b>PK050109</b>
Screw-in flange DN 16 ISO-KF / G1/4" incl. seal (for MVP 040-2, MVP 070-3 inlet/outlet)	<b>PK050114-T</b>