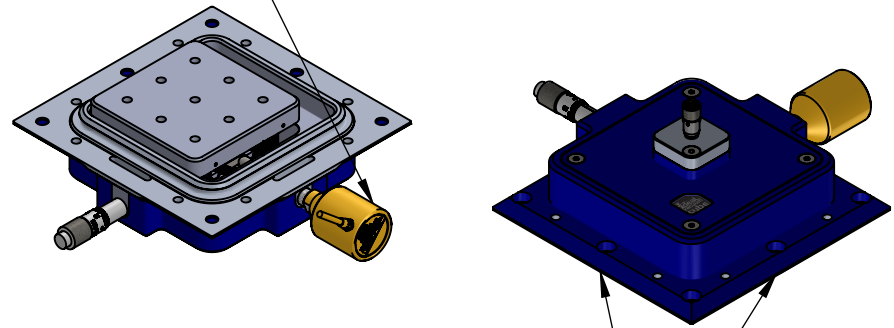
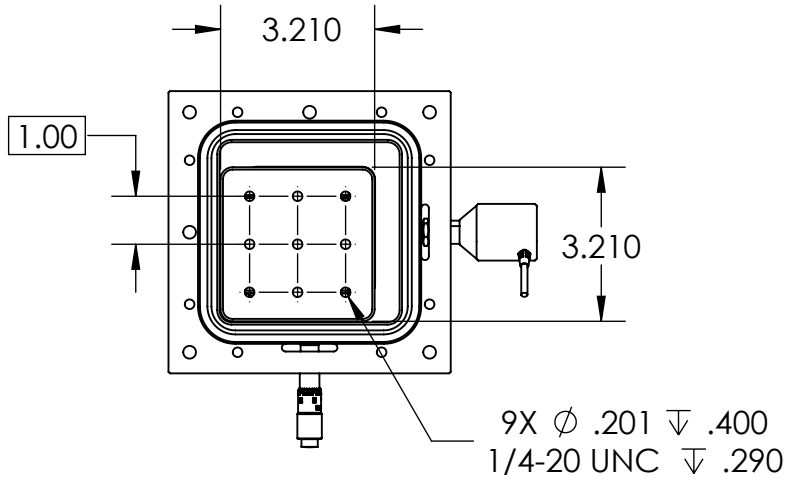
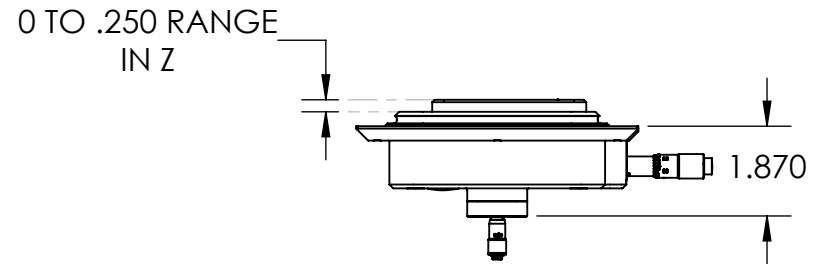
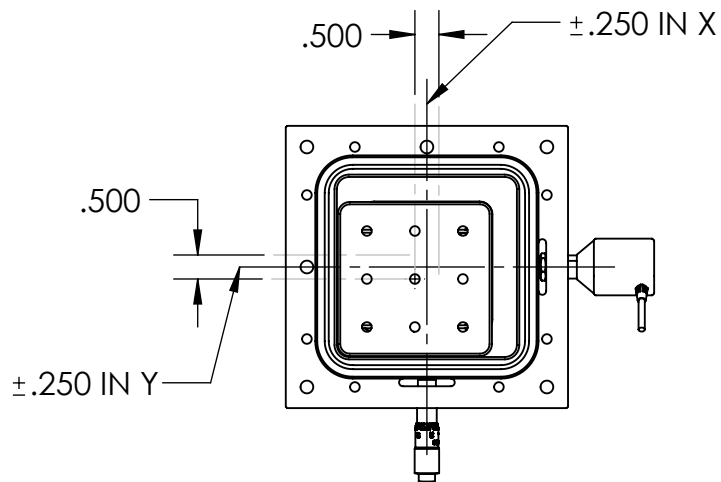


ANY MIC HEAD CAN BE INTERCHANGED WITH A MOTOR ACTUATOR



HINGE CAN BE PLACED ON EITHER OF THESE EDGES



DO NOT SCALE DRAWING

PROPRIETARY AND CONFIDENTIAL

THE INFORMATION CONTAINED IN THIS DRAWING IS THE SOLE PROPERTY OF Ideal Vacuum Products, LLC. ANY REPRODUCTION IN PART OR AS A WHOLE WITHOUT THE WRITTEN PERMISSION OF Ideal Vacuum Products, LLC IS PROHIBITED.



UNLESS OTHERWISE SPECIFIED
DIMENSIONS ARE IN INCHES

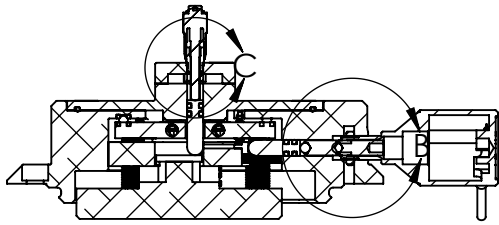
ANGLES	.X	.XX	.XXX
	± .5°	± .02	± .01
			± .005

NAME	DATE
DESIGNED CDH	9/13/2017
DRAWN CDH	11/1/2017
CHECKED	
MACHINED	
Q.A.	
MATERIAL	
FINISH	
PART NUMBER	

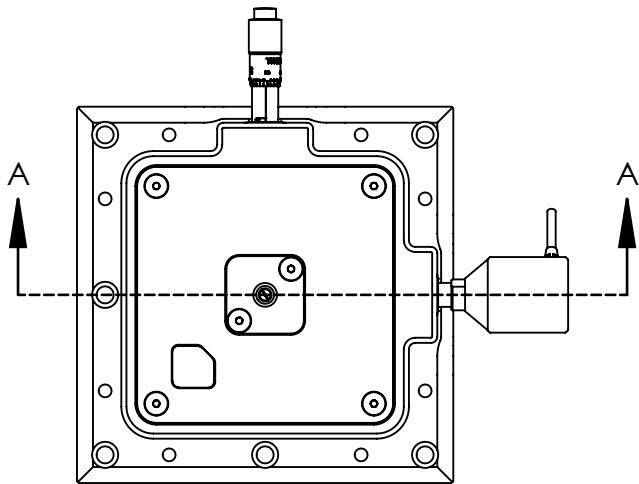
Ideal Vacuum Products

6x6 Vacuum Cube XYZ Stage Plate Assembly .5" Travel in X and Y, and .25" Travel in Z

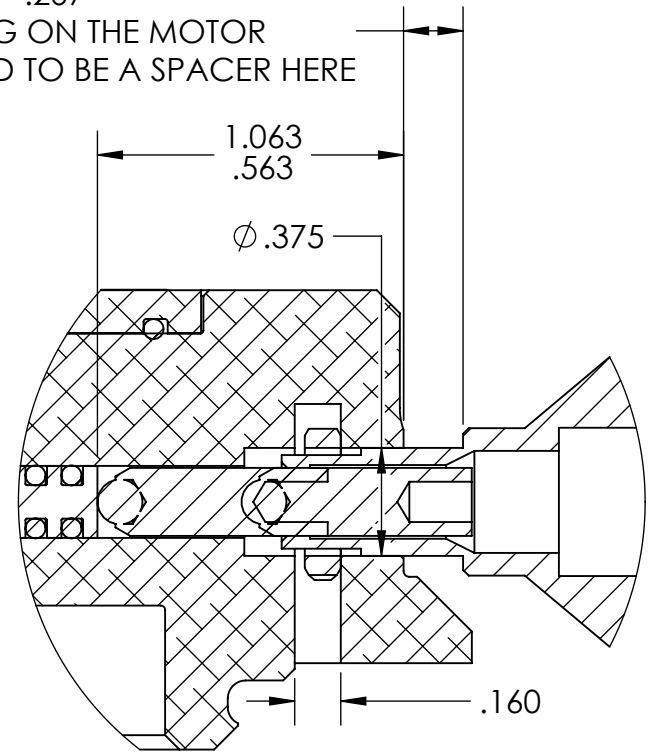
SIZE	Part No: VC-01-726	CAD REV. X.46
A		DWG REV. X.46
SCALE: 1:4	WEIGHT:	SHEET 1 OF 3



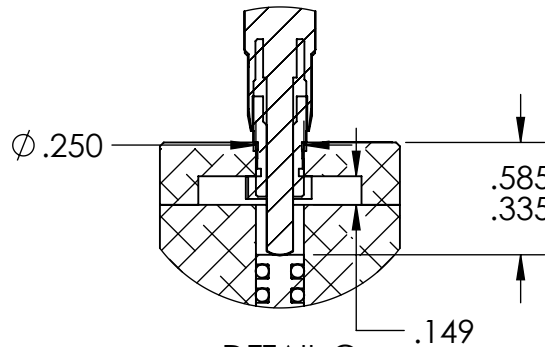
SECTION A-A



.207
 DEPENDING ON THE MOTOR
 THERE MAY NEED TO BE A SPACER HERE



DETAIL B
 SCALE 1.5 : 1



DETAIL C
 SCALE 1 : 1

DO NOT SCALE DRAWING

PROPRIETARY AND CONFIDENTIAL

THE INFORMATION CONTAINED IN THIS DRAWING IS THE SOLE PROPERTY OF Ideal Vacuum Products, LLC. ANY REPRODUCTION IN PART OR AS A WHOLE WITHOUT THE WRITTEN PERMISSION OF Ideal Vacuum Products, LLC IS PROHIBITED.



UNLESS OTHERWISE SPECIFIED
 DIMENSIONS ARE IN INCHES

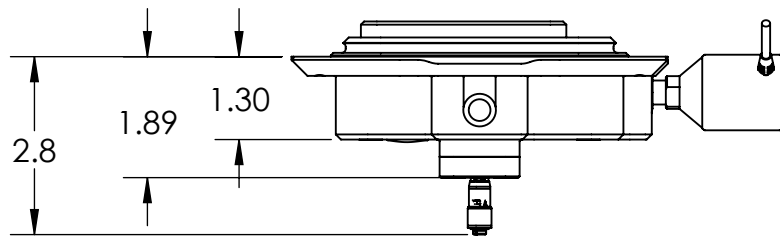
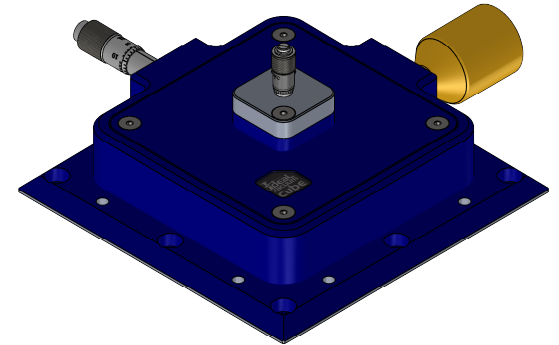
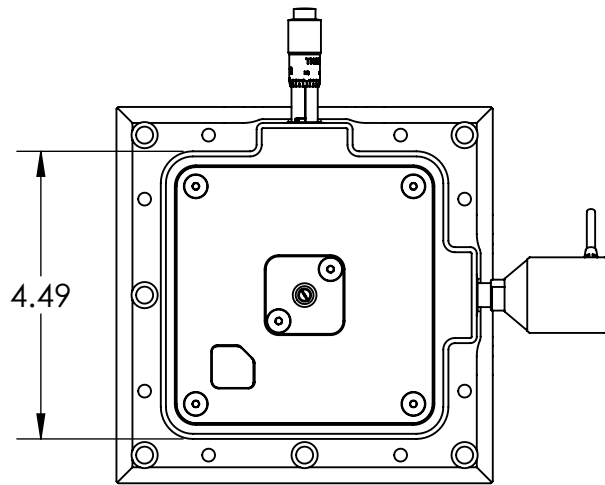
ANGLES	.X	.XX	.XXX
	± .5°	± .02	± .01
			± .005

NAME	DATE
DESIGNED CDH	9/13/2017
DRAWN CDH	11/1/2017
CHECKED	
MACHINED	
Q.A.	
MATERIAL	
FINISH	

Ideal Vacuum Products

6x6 Vacuum Cube XYZ Stage
 Plate Assembly .5" Travel in X and
 Y, and .25" Travel in Z

SIZE A	Part No: VC-01-726	REV. X.46
SCALE: 1:3	WEIGHT:	SHEET 2 OF 3



DO NOT SCALE DRAWING

PROPRIETARY AND CONFIDENTIAL

THE INFORMATION CONTAINED IN THIS DRAWING IS THE SOLE PROPERTY OF Ideal Vacuum Products, LLC. ANY REPRODUCTION IN PART OR AS A WHOLE WITHOUT THE WRITTEN PERMISSION OF Ideal Vacuum Products, LLC IS PROHIBITED.



UNLESS OTHERWISE SPECIFIED
DIMENSIONS ARE IN INCHES

ANGLES	.X	.XX	.XXX
	± .5°	± .02	± .01
			± .005

	NAME	DATE
DESIGNED	CDH	9/13/2017
DRAWN	CDH	11/1/2017
CHECKED		
MACHINED		
Q.A.		
MATERIAL		
FINISH		

Ideal Vacuum Products

6x6 Vacuum Cube XYZ Stage Plate Assembly .5" Travel in X and Y, and .25" Travel in Z

SIZE	Part No: VC-01-726	REV.
A		X.46
SCALE:1:3	WEIGHT:	SHEET 3 OF 3