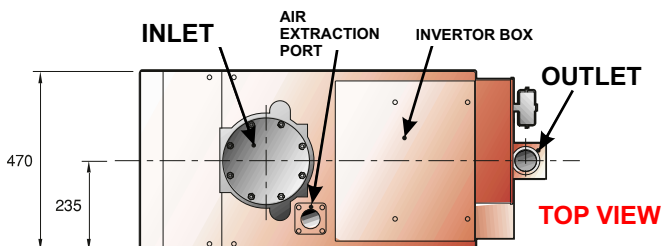
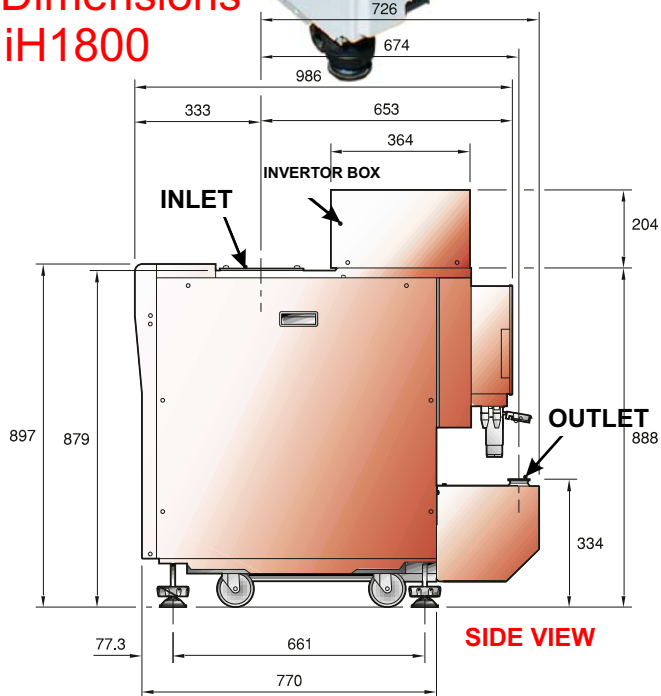


Ideal
vacuum products
(505) 872-0037
2401 B Phoenix Ave. NE
Albuquerque, NM 87107
idealvac.com



Dimensions
iH1800



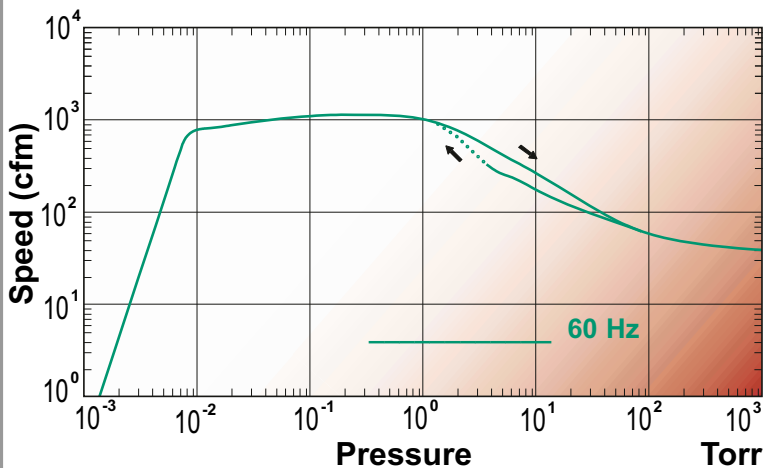
EDWARDS

© Edwards Limited 2008. All rights reserved.

iH1800 DRY PUMP SYSTEM

SPECIFICATIONS

| | | |
|---|------------------------------------|----------------------------|
| | | 50 Hz / 60 Hz |
| Peak Speed | cfm | 1060 |
| | M³h⁻¹ | 1800 |
| | 1 min⁻¹ | 30,000 |
| Ultimate Vacuum (with shaft seal purge) | torr | 7.5X10⁻⁴ |
| | mbar | 1X10 ⁻³ |
| | Pa | 0.1 |
| Typical Shaft Seal nitrogen flow | slm | 4 |
| Inlet Connection | | ISO160 |
| Outlet Connection | | NW40 |
| Typical cooling water flow at 15psi drop | 1 h⁻¹ | 240 |
| | 1 min⁻¹ | 4 |
| Weight | kg/lbs. | 502/1110 |
| Power input | kW | 4.1 |
| Rated motor | kW | 7.0 |
| Oil Capacity | liter | 1.60 |



iH1800 Pumping Speed Curve