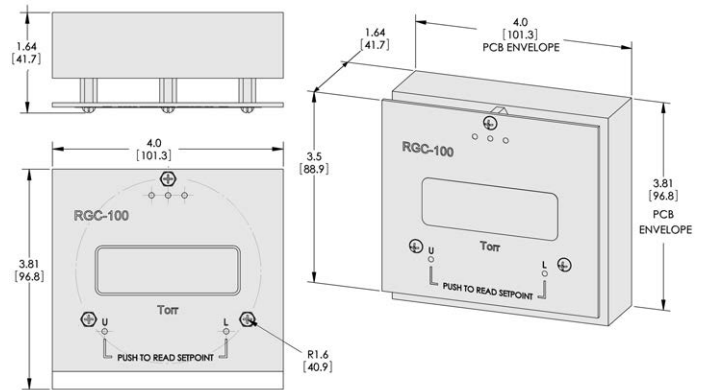


## Agilent RGC-100



Dimensions: millimeters (inches)

The Agilent RGC-100 Rough Gauge Controller is a cost effective solution for pressure measurements in the  $1 \times 10^{-3}$  Torr to 760 Torr region.

The RGC-100 package includes the TC tube and cables to provide a pre-calibrated turnkey rough vacuum solution.

### Features

- Thermocouple gauge – Agilent 531 – and controller are pre-calibrated as a set at the factory using a NIST standard
- Runs on 100-230 VAC, 50/60 Hz and displays in Torr or mbar
- Large bright LED display
- No moving parts
- Optional set point control
- Economical vacuum gauge

### Applications

- General vacuum measurement and control in the rough vacuum range
- Monitor forelines, chamber evacuation and crossover to high vacuum pumps

### Benefits

- No calibration required at initial setup
- Globally compatible
- Easily read from across a room, or in dimly lit locations
- Shock resistant and requires infrequent calibration
- Easily integrated
- Ideal choice for integrators

# Vacuum Measurement

## Technical Specifications

<b>Measurement range</b>	1 x 10 <sup>-3</sup> to 1000 mbar (1.5 x 10 <sup>-3</sup> to 760 Torr)	
<b>Accuracy</b>	<b>% of reading</b>	<b>Units</b>
	±10%	1.3 x 10 <sup>-3</sup> to 1.3 mbar (1 milli Torr to 1 Torr)
	±15%	1.3 to 13.3 mbar (1 to 10 Torr)
	±50%	13.3 to 213 mbar (10 to 160 Torr)
	±25%	213 to 1000 mbar (160 Torr to 760 Torr)
<b>Vacuum fitting</b>	½ inch NPT-M	
<b>Interface cable length</b>	10 ft.	
<b>Sensor</b>	Agilent 531 TC gauge tube	
<b>Display</b>	See below	
<b>Dimensions</b>	Mounts in 2.66 inch panel hole with 3 screws on 1.60 inch radius	
<b>Analog output</b>	0-5 VDC	
<b>Supply voltage</b>	100-240 VAC, 50/60 Hz	
<b>Standards</b>	CE, ROHS compliant	
<b>Optional setpoint controls</b>	7 A, 250 V	
<b>Optional communication interface</b>	RS-232	

## Ordering Information

Description	Part Number
RGC-100 Rough Gauge Controller (mbar)	RGC100M
RGC-100 Rough Gauge Controller (Torr)	RGC100T
RGC-100 Rough Gauge Controller with setpoints and RS232 (mbar)	RGC100MS
RGC-100 Rough Gauge Controller with setpoints and RS232 (Torr)	RGC100TS
RGC-100, 1.33" CFF TC, mbar, Controller	RGC100MCF
RGC-100, KF16 536 TC, mbar, Controller	RGC100MKF16
RGC-100, KF25 536 TC, mbar, Controller	RGC100MKF25
RGC-100, 1.33" CFF TC, mbar, SPs, Controller	RGC100MSCF
RGC-100, KF16 536 TC, mbar, SPs, Controller	RGC100MSKF16
RGC-100, KF25 536 TC, mbar, SPs, Controller	RGC100MSKF25
RGC-100, 1.33" CFF TC, Torr, Controller	RGC100TCF
RGC-100, KF16 536 TC, Torr, Controller	RGC100TKF16
RGC-100, KF25 536 TC, Torr, Controller	RGC100TKF25
RGC-100, 1.33" CFF TC, Torr, SPs, Controller	RGC100TSCF
RGC-100, KF16 536 TC, Torr, SPs, Controller	RGC100TSKF16
RGC-100, KF25 536 TC, Torr, SPs, Controller	RGC100TSKF25

### Accessories

Replacement sensors	
½ inch NPT-M	F0472303
KF16	L6141308
KF25	L6141309
1.33 in CFF	L6141304