



## Series 979B

### WIDE MEASUREMENT VACUUM TRANSDUCER COMBINING PIRANI AND HOT CATHODE TECHNOLOGIES

The Series 979B Atmosphere-to-Vacuum (ATV) transducer is a general purpose vacuum transducer that provides a wide measurement range from  $10^{-10}$  Torr to atmospheric pressure. The 979B combines both the MEMS-based MicroPirani™ and the miniaturized hot cathode sensors in a single housing for simplified gauge integration. The 979B can be operated via digital communication (RS232 or RS485) or as an autonomous analog unit. Degas and filament select can be controlled via digital communication, push button control from the top panel or analog connections.

### Features and Benefits

- Single transducer provides a wide measurement range of  $10^{-10}$  Torr to atmosphere
- 2 in 1 sensor eliminates complex manifold, wiring and control requirements
- Both analog and digital communication for ease of operation
- MicroPirani is automatically zeroed during pump down cycle for improved accuracy
- MicroPirani technology allows for hot cathode filament control at lower pressures for improved filament life
- Two yttria-coated filaments designed for extended life
- Patented degas function for ease of control and extended filament life
- Mountable in any orientation for easy installation
- Smoothed analog output (0.5 VDC per decade) for simplified integration
- 3 user configurable relays for process control
- Can be use as a standalone transducer or with the PDR900 display and controller for easy set up
- RoHS and CE Compliant

### Applications

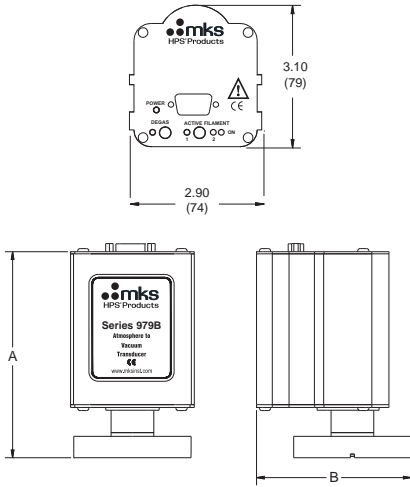
The Series 979B is ideal for measuring from atmosphere to UHV. Typical applications include semiconductor, thin film coating, analytical instrumentation and high energy physics. These applications require long term stability and accuracy and will benefit from the MEMS sensor technology and microprocessor based digital technology. The multi-sensor design makes the Series 979B ideal for system integrators and equipment manufacturers in these markets.

Customers requiring both a power supply and display can use the 979B with the PDR900 Series 900 Controller.



# Specifications and Ordering Information

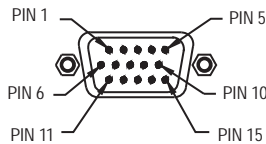
## Dimensions



Flange	A	B
2.75" CF	4.82(122)	3.62(92)
1.33" CF	5.52(140)	2.91(74)
NW 16 KF	5.15(131)	2.83(72)
NW 25 KF	4.37(111)	3.03(77)
NW 40 KF	4.37(111)	3.33(85)

Dimensions: inch (mm)

## Pinout



- |                         |                      |
|-------------------------|----------------------|
| 1 - RS485 (-); RS232 TX | 10 - Filament Select |
| 2 - RS485 (+); RS232 RX | 11 - Relay 2 Com     |
| 3 - +24V                | 12 - Relay 2 NO      |
| 4 - Power Ground        | 13 - Degas On        |
| 5 - Analog Output (+)   | 14 - Relay 3 Com     |
| 6 - Analog Output (-)   | 15 - Relay 3 NO      |
| 7 - Relay 1 NO          |                      |
| 8 - Relay 1 Com         |                      |
| 9 - Degas Status        |                      |

## Specifications

**Sensor Type**  
**Measuring Range**  
**Set Point Range**  
**Calibration Gas**  
**Operating Temperature Range**  
**Maximum Bakeout Temperature**  
**Communication**

Bayard-Alpert/MicroPirani  
 $5 \times 10^{-10}$  Torr to Atmosphere  
 $5.0 \times 10^{-10}$  to 100 Torr  
 Nitrogen  
 $0^\circ$  to  $40^\circ\text{C}$  ( $32^\circ$  to  $104^\circ\text{F}$ )  
 $85^\circ\text{C}$  ( $185^\circ\text{F}$ )  
 RS232 / RS485

### Controls

Pressure units, baud rate, address, factory default, user tag, degas, RS485 test, gas correction, emission current, setpoint functions: value, hysteresis, direction, enable; filament functions: power, protect, selection, control setpoint, gas type  
 Pressure reading and units, setpoint, filament, active filament, filament operating time, transducer temperature, user tag, model, device type, serial number, firmware and hardware versions

### Status

0.5 VDC to 7 VDC, 0.5 VDC/decade

### Analog Output

3 relays, SPST

### Relays

#### Relay Contact Rating

1A @ 30VAC/DC, resistive load

#### Power Requirements

24 VDC, 15 Watts

#### Accuracy (Typical)

$10^9$  to  $10^3$  Torr  $\pm 20\%$  of reading

$10^3$  to 100 Torr  $\pm 5\%$  of reading

#### Repeatability (Typical)

$10^9$  to  $10^3$  Torr  $\pm 5\%$  of reading

$10^3$  to 100 Torr  $\pm 2\%$  of reading

#### Degas

Electron Bombardment, 3 W max power

#### X-Ray Limit

$3 \times 10^{-10}$  Torr

#### Overpressure Limit

1500 Torr

#### Installation Orientation

Any

#### Internal Volume

1.40 in.<sup>3</sup> (23 cm<sup>3</sup>) maximum

#### Materials Exposed to Vacuum

304 stainless steel, silicon, SiO<sub>2</sub>, SiN<sub>x</sub>, gold, Viton®, glass, tungsten, platinum clad molybdenum, yttria-coated iridium, epoxy resin.

#### Electronic Casing

Aluminum

#### Weight (with KF25 Flange)

0.93 lbs. (422 g)

#### CE Certification

EMC Directive 2004/108/EC

## Ordering Information:

Part Number	Description	Price
979B-11	Series 979B Transducer, 1 1/8" CF, RS232	
979B-12	Series 979B Transducer, 1 1/8" CF, RS485	
979B-21	Series 979B Transducer, 2 1/4" CF, RS232	
979B-22	Series 979B Transducer, 2 1/4" CF, RS485	
979B-31	Series 979B Transducer, NW 16 KF, RS232	
979B-32	Series 979B Transducer, NW 16 KF, RS485	
979B-41	Series 979B Transducer, NW 25 KF, RS232	
979B-42	Series 979B Transducer, NW 25 KF, RS485	
979B-51	Series 979B Transducer, NW 40 KF, RS232	
979B-52	Series 979B Transducer, NW 40 KF, RS485	

## Accessories

PDR900-11-US	PDR900 Single Channel Controller, RS232/485, US power cord
100013620	Cable, PDR900 to 979B, 10 ft (3M), RS232
100013671	Cable, PDR900 to 979B, 10 ft (3M), RS485
100014510	NW16KF Centering ring with 100µm filter and Viton O-ring*
100014515	NW25KF Centering ring with 100µm filter and Viton O-ring*
100014520	NW40KF Centering ring with 100µm filter and Viton O-ring*

\* Recommended on inlet flange of 979B to protect sensors from particulates when used in harsh environments. Other filter sizes available upon request.



Series 979B - 9/09  
 © 2008 MKS Instruments.  
 All rights reserved.

### MKS Global Headquarters

2 Tech Drive, Suite 201  
 Andover, MA 01810  
 Tel: (978) 645.5500  
 Tel: (800) 227.8766 (in USA)  
 Web: www.mksinst.com  
 Email: mks@mksinst.com

### MKS Vacuum Technology

HPS® Products  
 5330 Sterling Drive  
 Boulder, CO 80301  
 Tel: (303) 449.9861  
 Tel: (800) 345.1967 (in USA)

### MKS Denmark ApS

Ndr. Strandvej 119G  
 DK-3150 Hellebaek  
 Denmark  
 Tel: +45 4492 9299  
 Email: mksdenmark@mksinst.com

Due to continuous development, specifications and prices are subject to change without notice. HPS® is a registered trademark of MKS Instruments, Inc. Viton® is a registered trademark of EI DuPont de Nemours & Co., Inc. US Patent # 6756785. Foreign patents pending.