

Instruction Manual

nXDS Pump Accessories



This page has been intentionally left blank.

Contents

Section	Page
1 Introduction	1
1.1 Scope and definitions	1
1.2 Installation and operation safety	2
1.3 Unpack and inspect	2
1.4 Disposal of accessories	2
1.5 Spares and accessories	2
2 Gas ballast adaptor blank	5
2.1 Description	5
2.2 Installation	5
2.2.1 Install the gas ballast adaptor blank	5
3 Gas ballast adaptor	7
3.1 Description	7
3.2 Technical data	7
3.3 Installation	7
3.3.1 Install the gas ballast adaptor	7
4 Inlet/exhaust filter	9
4.1 Description	9
4.2 Technical data	9
4.3 Installation	10
4.3.1 Install the inlet/exhaust filter	10
4.4 Maintenance	10
4.4.1 Introduction	10
4.4.2 Removal of elements	10
4.4.3 Inspection and replacement of the element	11
5 Silencer	13
5.1 Description	13
5.1.1 Application	13
5.1.2 Connections	13
5.2 Technical data	13
5.3 Installation	15
5.3.1 Install the nXDS silencer	15
5.4 Maintenance	15
5.4.1 Introduction	15
5.4.2 Removal of elements	15
5.4.3 Inspection of elements	16
5.4.4 Replacement of elements	16
6 Exhaust nozzle	17
6.1 Description	17
6.2 Technical data	17
6.3 Installation	17
6.3.1 Install the exhaust nozzle	17
7 Mountable vibration isolators	19
7.1 Description	19
7.2 Technical data	19

7.3	Installation	20
7.3.1	Install the Edwards mountable vibration isolators	20
8	Chemical resistance conversion kit	21
8.1	Description	21
8.2	Installation	21
8.2.1	Install the chemical resistance conversion kit	22
8.2.2	Inlet/exhaust port conversion	23
9	Pump-to-controller cable	25
9.1	Description	25
9.2	Technical data	25
9.3	Installation	25

For return of equipment, complete the HS Forms at the end of this manual.

Illustrations

Figure		Page
1	Accessories for nXDS pumps - general view (o-ring seals not shown)	3
2	Gas ballast adaptor blank fitting	5
3	Gas ballast adaptor conversion	7
4	Inlet/exhaust dust filter components and dimensions	9
5	Silencer dimensions (mm)	14
6	Nozzle and dimensions	17
7	Vibration isolator dimensions	19
8	Inlet/exhaust port conversion	23

Tables

Table	Page
1 Gas ballast adaptor blank - checklist of components (A735-01-806)	5
2 Gas ballast adaptor technical data	7
3 Gas ballast adaptor - checklist of components (A735-01-809)	7
4 Inlet/exhaust filter technical data	9
5 Inlet/exhaust filter - checklist of components NW25 (A505-97-805)/ NW40 (A505-97-806)	10
6 NW25/NW40 filter element replacement kit	11
7 Silencer technical data	13
8 Silencer - checklist of components (A505-97-000)	15
10 Nozzle technical data	17
11 Exhaust nozzle - checklist of components (A505-09-000)	17
12 Vibration isolator technical data	19
13 Mountable vibration isolators - checklist of components (A248-01-441)	20
14 Chemical resistance conversion kit - checklist of components nXDS6i/10i/15i (A735-01-807)	21
15 Chemical resistance conversion kit - checklist of components nXDS20i (A735-01-808)	21
16 Ordering information	25
17 Checklist of components	25

Associated publications

Publication title	Publication number
Vacuum pump and vacuum system safety	P400-40-100

This page has been intentionally left blank.

1 Introduction

1.1 Scope and definitions

This manual provides installation, operation and maintenance instructions for the Edwards range of accessories for the nXDS pump range.

The accessories are shown in [Figure 1](#). The Item Numbers for the accessories are listed in the appropriate sections. The accessories must be used as specified in this manual. Read this manual before installing accessories onto the nXDS pump.

Important safety information is highlighted as WARNING and CAUTION instructions; these instructions must be obeyed. The use of WARNINGS and CAUTIONS is defined below.



WARNING

Warnings are given where failure to observe the instruction could result in injury or death to people.

CAUTION

Cautions are given where failure to observe the instruction could result in damage to the equipment, associated equipment and process.

In accordance with the recommendations of EN61010, the following warning labels may appear on the pump or its accessories:



Warning - refer to accompanying documentation.



Warning - risk of electric shock.



Warning - hot surfaces.

1.2 Installation and operation safety



WARNING

Use the procedures described in this manual to install the accessory. Obey all safety instructions and take note of all appropriate precautions. If not, damage to the accessory or other equipment and injury to people can result.



WARNING

The user of the nXDS pump system is responsible for the safe operation and monitoring of the system.



WARNING

Before installing the accessory, ensure the pump is off and the controller is isolated as described below.

Before installing the accessory:

- Switch off the nXDS pump and wait until the pump has stopped rotating.
- Isolate the pump controller from the electrical supply.

1.3 Unpack and inspect

Remove all packing materials and check the accessory. If it is damaged, notify the supplier and the carrier in writing within three working days; state the item number of the accessory together with the order number and the suppliers invoice number. Retain all packing materials for inspection. Do not use the accessory if it is damaged.

Check that the packaging contains the items shown in the Checklist of items table. If any of the items are missing, notify the supplier in writing within three working days.

1.4 Disposal of accessories

Dispose of the used accessories and accessory spares safely in accordance with all local and national safety environmental requirements.

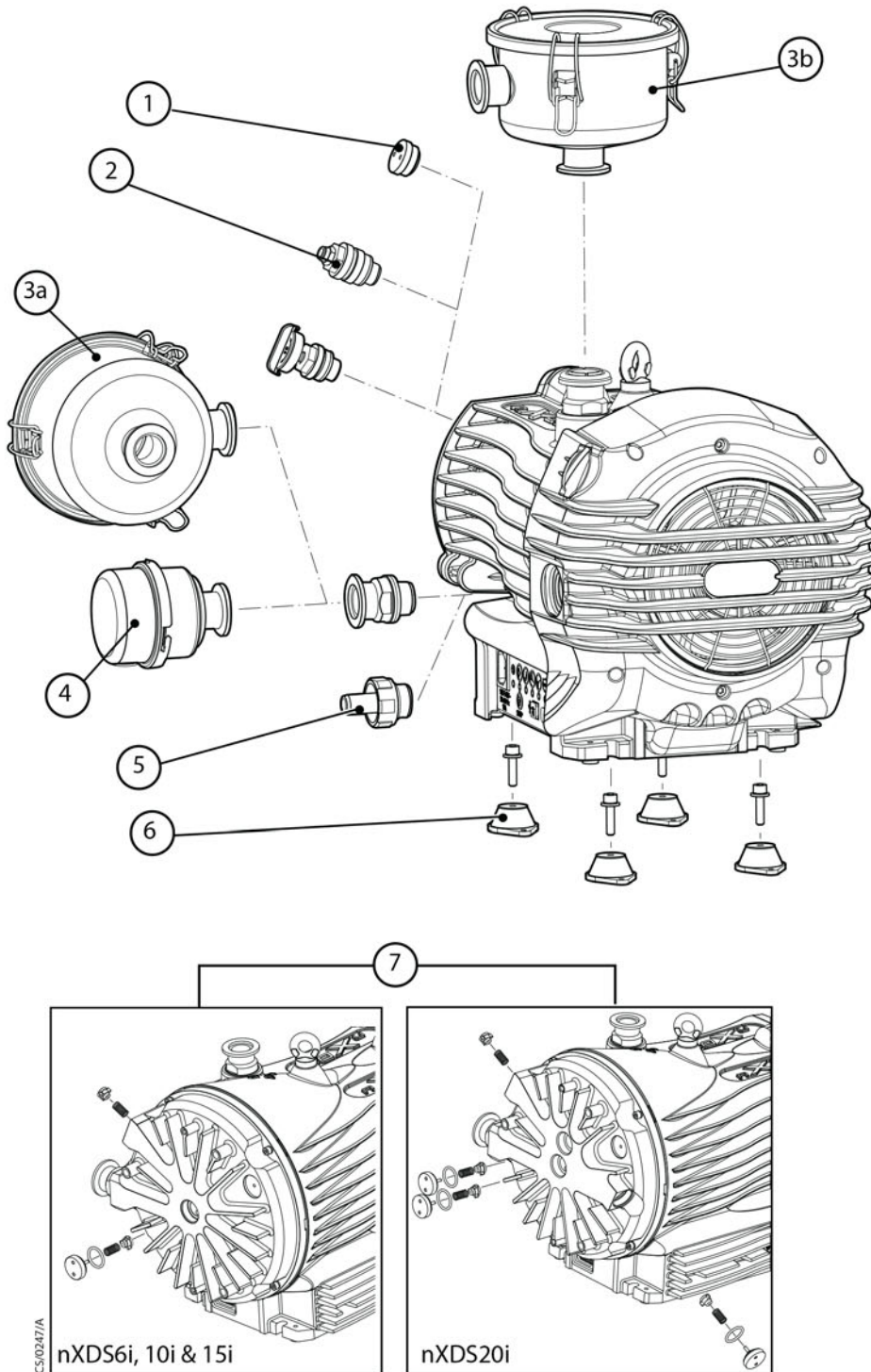
1.5 Spares and accessories

Edwards products, spares and accessories are available from Edwards companies in Belgium, Brazil, Canada, France, Germany, Hong Kong, Italy, Japan, Korea, Switzerland, United Kingdom, U.S.A, and a worldwide network of distributors. The majority of these centres employ service Engineers who have undergone comprehensive Edwards training courses.

Order spare parts and accessories from the nearest Edwards company or distributor. When ordering, please state for each part required:

- Model and Item Number of the equipment
- Serial number (if any)
- Item Number and description of part.

Figure 1 - Accessories for nXDS pumps - general view (o-ring seals not shown)



- | | |
|------------------------------|---|
| 1. Gas ballast adaptor blank | 5. Exhaust nozzle |
| 2. Gas ballast adaptor | 6. Vibration isolators |
| 3a+b. Inlet/exhaust filter | 7. Chemical resistance conversion kit |
| 4. Silencer | 8. Pump-to-controller cable (not shown) |

This page has been intentionally left blank.

2 Gas ballast adaptor blank

2.1 Description

The gas ballast adaptor blank (Figure 1, item 1) allows conversion from a standard nXDS pump into an nXDS-R pump. The gas ballast control is replaced with a blank adaptor to prevent accidental air admittance into the pump. This feature is also useful for applications such as rare gas recirculation or gas recovery.

2.2 Installation

Table 1 - Gas ballast adaptor blank - checklist of components (A735-01-806)

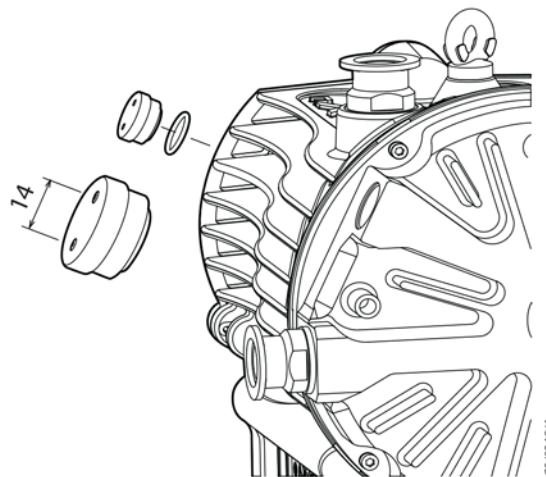
Qty	Description	Check (✓)
1	Gas ballast adaptor blank	<input type="checkbox"/>
1	O-ring 19.6ID X 2.4	<input type="checkbox"/>

2.2.1 Install the gas ballast adaptor blank

The method for installing the gas ballast adaptor blank follows some of the stages used to install the gas ballast adaptor. To install the gas ballast adaptor blank, refer to stages 1, 2, 3, 4 and 6 of the gas ballast adaptor fitting instructions in Section 3.3.1. For the instructions on how to fit the adaptor blank refer to the instruction and Figure 2 below.

Using a pin spanner (not provided), fit the adaptor blank and tighten to 6 Nm.

Figure 2 - Gas ballast adaptor blank fitting



Note: As a precaution, Edwards recommends that a complete vacuum leak check be performed following this installation.

This page has been intentionally left blank.

3 Gas ballast adaptor

3.1 Description

The gas ballast adaptor (Figure 1, item 2) fits in place of the gas ballast control. The gas ballast adaptor allows connection of a controlled supply of inert gas such as nitrogen into the low vacuum stage of the pump.

The gas purge can be used to dilute flammable gases down to a safe level (Edwards recommends 1/4 of the Lower Explosive Limit). An inert purge can also be used to reduce the likelihood of gas vapours such as iodine from condensing at the outlet stage of the pump.

3.2 Technical data

Table 2 - Gas ballast adaptor technical data

Maximum permitted gas ballast inlet pressure	0.5 bar gauge
Orifice diameter	0.25 mm
Maximum flowrate	0.75 slm

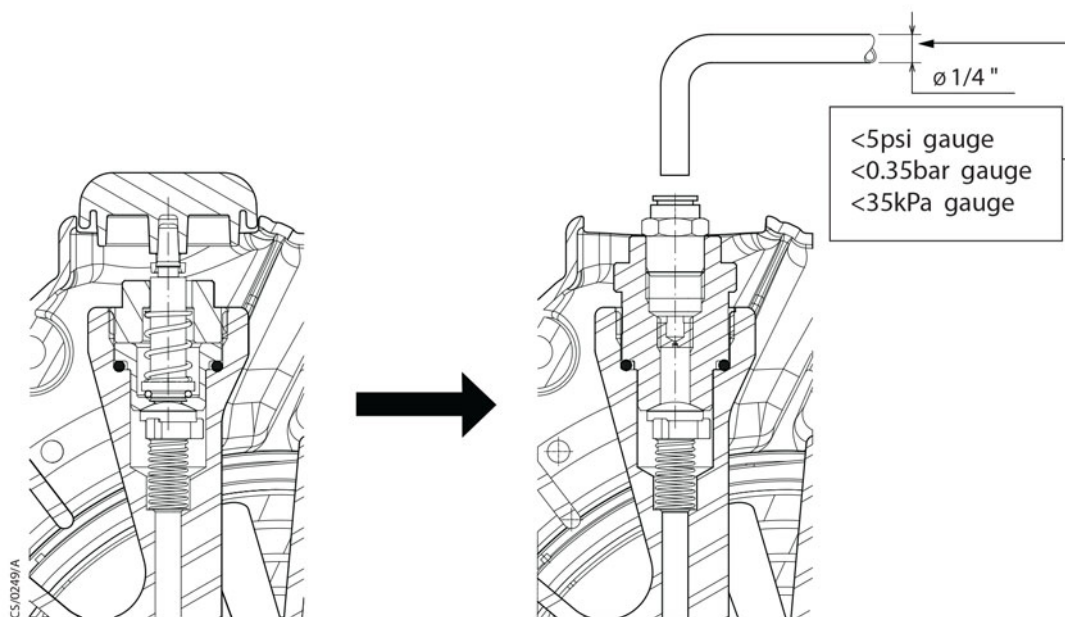
3.3 Installation

Table 3 - Gas ballast adaptor - checklist of components (A735-01-809)

Qty	Description	Check (✓)
1	Gas ballast adaptor	<input type="checkbox"/>
1	O-ring 19.6 ID x 2.4	<input type="checkbox"/>

3.3.1 Install the gas ballast adaptor

Figure 3 - Gas ballast adaptor conversion



Gas ballast adaptor

Ensure the pump is switched off before fitting.

<p>1. Undo the 2 off retaining bolts and partially remove the fan cowl. Caution: Cooling fan supply lead attached.</p>	<p>2. Carefully disconnect the cooling fan electrical supply lead and remove the fan cowl.</p>
<p>3. Using a 21 mm AF spanner, remove the gas ballast control assembly.</p>	<p>4. Carefully remove the gas ballast control seat and O-ring.</p>
<p>5. Assemble the gas ballast adaptor and new O-ring, ensure the O-ring and seal surface are clean and free of dust or dirt.</p>	<p>6. Reconnect and assemble the cooling fan supply lead and fan cowl (1) in reverse order. Torque the retaining bolts (2) to 3 Nm.</p>

As a precaution, Edwards recommends that a complete a vacuum leak check be performed after this installation.

Tip:

- Ensure the cooling fan operates correctly following the installation of the gas ballast adaptor.
- Retain the gas ballast control assembly and seat for future use if required.

4 Inlet/exhaust filter

4.1 Description

CAUTION

This filter is not designed to withstand positive pressures. Ensure that any system valves are correctly scheduled to avoid pumping to a closed exhaust line. Refer to the Installation section of the nXDS pump instruction manual.

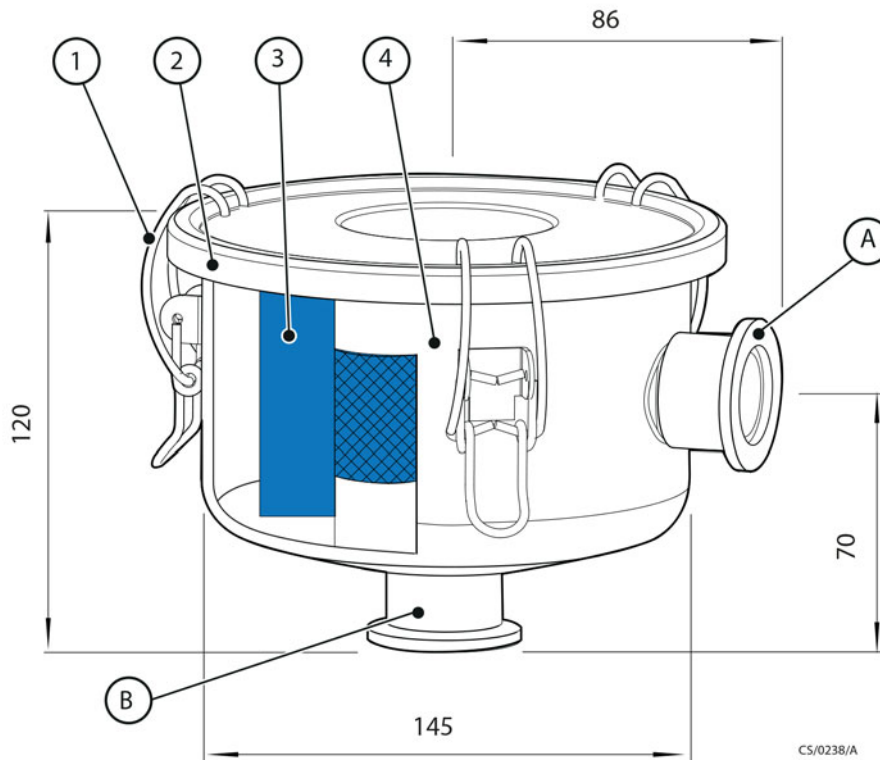
The inlet/exhaust filter performs a number of functions. It can be connected in-line between the nXDS pump exhaust and the exhaust extraction system (Figure 1, item 3a), this is especially useful for process applications such as gas recirculation. Alternatively, it can be connected in-line between the nXDS pump inlet and the chamber outlet connection (Figure 1, item 3b) to prevent particles from migrating (backstreaming) into the system, or to stop particulate from entering the pump. The filter is supplied ready to use with a 5 micron element. A 1 micron element can be purchased separately and used to replace the 5 micron element if required.

4.2 Technical data

Table 4 - Inlet/exhaust filter technical data

Inlet/outlet port size	NW25 (A505-97-805) NW40 (A505-97-806)
Leak tightness	1×10^{-5} mbar.l.s ⁻¹

Figure 4 - Inlet/exhaust dust filter components and dimensions



- | | |
|------------------------|----------------------|
| A. Inlet | B. Exhaust |
| 1. Lid fastening clamp | 3. Polyester element |
| 2. Filter lid | 4. Filter body |

4.3 Installation

Table 5 - Inlet/exhaust filter - checklist of components NW25 (A505-97-805)/ NW40 (A505-97-806)

Qty	Description	Check (✓)
1	Filter assembly	<input type="checkbox"/>
2	NW clamp	<input type="checkbox"/>
2	Centring ring	<input type="checkbox"/>

4.3.1 Install the inlet/exhaust filter

Ensure the pump is switched off before fitting.

1. Inspect the mating port and seals faces, ensure they are free of dirt or any particulate which could cause the vacuum seal to leak.
2. Place the centring ring in the end of the NW25 filter port and seat the filter onto the pump mating port. Ensure the filter is fitted in the correct orientation (refer to Figures 1 and 4).
3. Fit the NW25 retaining clamp and tighten to secure the filter.

4.4 Maintenance

4.4.1 Introduction

Edwards recommends that a filter element replacement (Figure 4, item 3) should coincide with a tip seal change. Refer to the maintenance plan in the nXDS pump manual for recommendations on changing the tip seal.

4.4.2 Removal of elements



WARNING

Take all necessary precautions if toxic or dangerous substances have been pumped. Wear PPE when handling contaminated filters and filter elements.



WARNING

Do not attempt to dismantle the filter whilst the pump is running. Ensure the pump is isolated from its electrical supply before removing the filter.

Do not inhale the tip seal dust. Do not blow the tip seal dust from the filter with compressed air.

Remove the filter from the system. Release the clamps (Figure 4, item 1) and remove the lid (Figure 4, item 3) from the filter body (Figure 4, item 4). Remove the element for inspection.

4.4.3 Inspection and replacement of the element



WARNING

Take all necessary precautions if toxic or dangerous substances have been pumped. Wear PPE when handling contaminated filters and filter elements.

CAUTION

At high temperature (in excess of 250 °C) tip seal wear product will begin to decompose, giving rise to gaseous fumes which can produce unpleasant symptoms.

The filter may be contaminated with the process chemicals that have been pumped during operation. Ensure that the pump is decontaminated before maintenance and that adequate precautions are taken to protect people from the effects of dangerous substances if contamination has occurred.

Renewal of the element is recommended regardless of the level of contamination. If the element is heavily contaminated with tip-seal dust it must be replaced or cleaned in order to avoid a build up of dust that may adversely affect the pump performance. Rinse the element if necessary with lukewarm water and mild detergent. Observe local guidelines to advise the safe disposal of PTFE dust.

Fitting the new element is the reverse of removal.

Table 6 - NW25/NW40 filter element replacement kit

Product description	Ordering information
5 micron element	A505-97-802
1 micron element	A505-97-803

This page has been intentionally left blank.

5 Silencer

5.1 Description

The nXDS silencer has two main functions.

- To reduce exhaust noise during pump down and gas ballast operation.
- To collect and retain tip seal dust as the pump is operated.

Exhaust gases exit the exhaust port when the pump is being used to evacuate a process chamber, when the gas ballast control is being used, or both. The noise level when pumping down rises as the throughput increases and the silencer is used to reduce this noise level.

The outer can is made of pressed steel and is split to allow access to the filter elements.

The filter element housing is made from Santoprene® thermoplastic elastomer. The element itself is polyester. The foam block is manufactured from filter foam.

Note: These elements can only be used in dry applications and must not be allowed to moisten.

A pressure relief valve is not fitted to the silencer.

5.1.1 Application



WARNING

The Edwards nXDS silencer is not recommended for use with pumping hazardous substances.

5.1.2 Connections

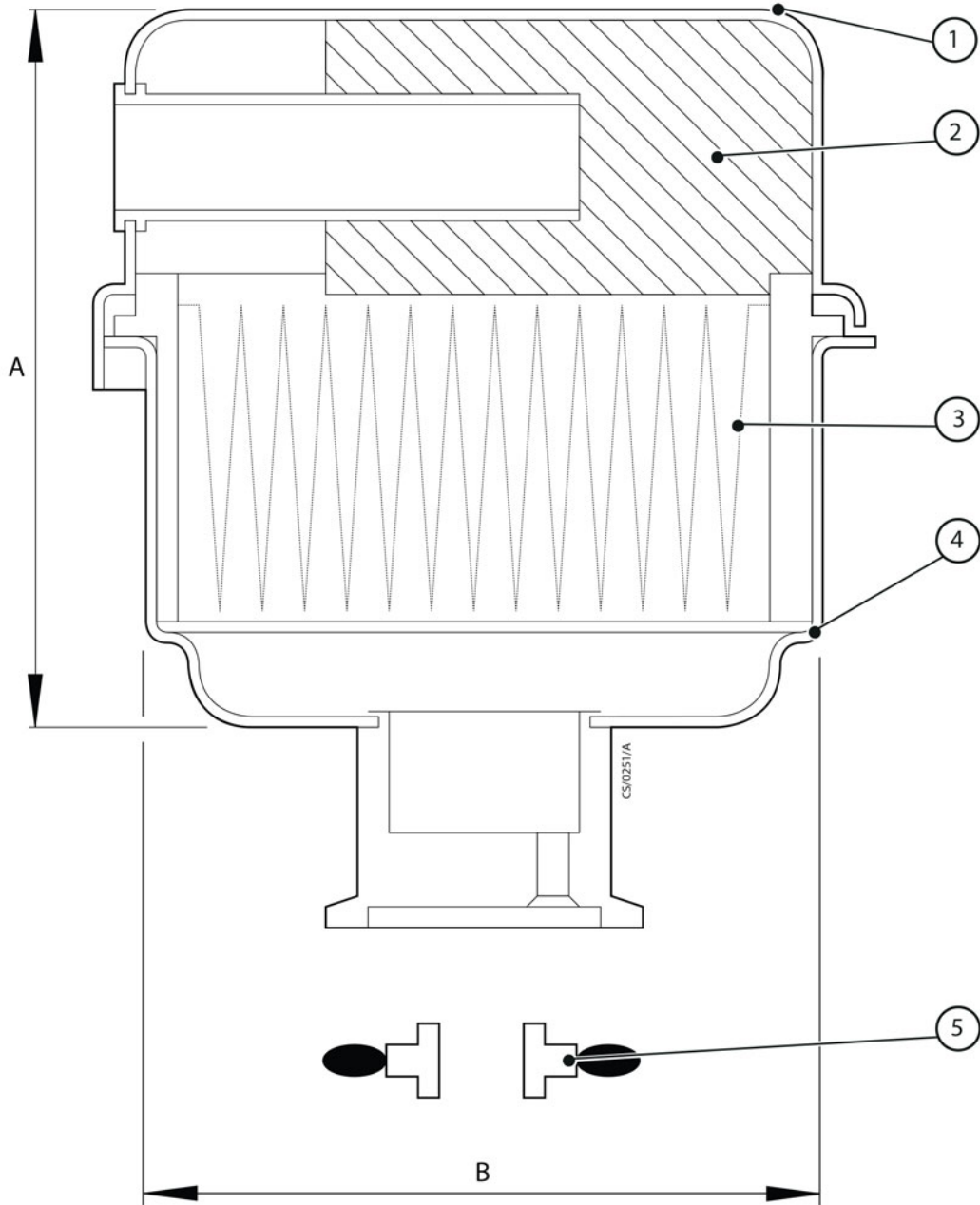
The nXDS silencer has been manufactured with an NW25 fitting to enable fitting to the nXDS pump exhaust (Figure 1, item 4). An NW25 clamp and centring ring are included. A sectional view of the silencer is shown in Figure 5.

5.2 Technical data

Table 7 - Silencer technical data

Maximum back pressure	0.2 bar gauge
Tip seal dust	Pump performance and silencer performance is unaffected providing elements are serviced in accordance with recommendations.
Dimensions	Refer to Figure 5
Mass	265 g
Port size	NW25

Figure 5 - Silencer dimensions (mm)



- A. 94 mm
- B. 81 mm
- 1. Top casing
- 2. Foam block
- 3. Polyester element
- 4. Bottom casing
- 5. Centring ring

5.3 Installation

Table 8 - Silencer - checklist of components (A505-97-000)

Qty	Description	Check (✓)
1	Silencer body	<input type="checkbox"/>
1	NW25 clamp	<input type="checkbox"/>
1	Centring ring	<input type="checkbox"/>

5.3.1 Install the nXDS silencer

Ensure the pump is switched off before fitting the silencer.

1. Clean the face of the pump exhaust.
2. Place the centring O-ring (Figure 5, item 5) in the end of the NW25 backing port and seat the silencer in the pump exhaust.
3. Fit the clamp and tighten to secure the silencer.

5.4 Maintenance

5.4.1 Introduction

Figure 4 shows the foam block (item 2) and polyester element (item 3) which need to be inspected periodically. Edwards recommends both are replaced every 9000 hours of pump use. The silencer has been designed to handle 10 cc of tip-seal dust without affecting the performance of the pump. Replacement kit A505-97-800 contains both items.

5.4.2 Removal of elements



WARNING

Take all necessary precautions if toxic or dangerous substances have been pumped. Wear PPE when handling contaminated filters and filter elements.



WARNING

Do not attempt to dismantle the silencer whilst the pump is running. Ensure the pump is isolated from its electrical supply before removing the silencer.

Do not inhale the tip seal dust. Do not blow the tip seal dust from the silencer with compressed air.

Ensure the pump is switched off before removing the silencer.

Remove the NW25 clamp and silencer from the pump exhaust. Hold the top half of the silencer with one hand, and the bottom half with the other hand. Keeping one hand steady, twist clockwise with the other, and the two halves will separate. The polyester element will be retained in the top half. With the element uppermost, lift the element out by lightly gripping the protruding surface of the element. Put the element to one side ready to inspect it. The foam block is pushed onto the outlet pipe and is trapped into position by the polyester element.

5.4.3 Inspection of elements



WARNING

Take all necessary precautions if toxic or dangerous substances have been pumped. Wear PPE when handling contaminated filters and filter elements.

CAUTION

The tip seal wear product will begin to decompose if the temperature exceeds 250°C, giving rise to gaseous fumes that can produce unpleasant symptoms.

The silencer will be contaminated with the process chemicals that have been pumped during operation. Ensure that the pump is decontaminated before maintenance and that adequate precautions are taken to protect people from the effects of dangerous substances if contamination has occurred.

Renewal of the elements is recommended regardless of their level of contamination. Neither element should be heavily contaminated with tip seal dust, but if either is, they **MUST** be replaced or cleaned in order to avoid a build up of dust that may adversely affect performance. Rinse the elements through with soap and water to clean them. Observe local guidelines to advise the safe disposal of PTFE dust.

5.4.4 Replacement of elements

Fitting the new elements is the reverse of removal, fit the foam block first and then the polyester element. Fit both halves of the silencer together and twist anticlockwise to secure. Ensure fastening is complete by looking at the bayonet fitting and checking it is home.

Table 9 - Silencer element replacement kit

Product description	Ordering information
Silencer spares kit	A505-97-800

6 Exhaust nozzle

6.1 Description

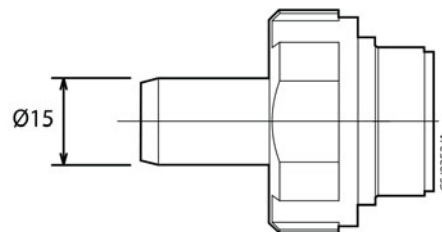
The exhaust nozzle (Figure 1, item 5) can be used to connect the pump exhaust using a plastic hose in place of a steel bellows. The Nozzle will accept a 12 to 15 mm plastic hose.

6.2 Technical data

Table 10 - Nozzle technical data

Nozzle thread	3/4" BSP
Nozzle tube Ø	15 mm

Figure 6 - Nozzle and dimensions



6.3 Installation

Table 11 - Exhaust nozzle - checklist of components (A505-09-000)

Qty	Description	Check (✓)
1	Nozzle	<input type="checkbox"/>
1	O-ring	<input type="checkbox"/>

6.3.1 Install the exhaust nozzle

Ensure the pump is switched off before fitting.

- Using a 30 mm AF spanner (not supplied), remove the NW25 exhaust port from the pump (retain for future use).
- Using a new O-ring provided, manually screw in the plastic exhaust nozzle until resistance can be felt. Tighten the nozzle to 5 Nm using a 36 mm AF spanner (not supplied).
- Push on the plastic hose, use a retaining clip to prevent the hose from becoming unattached from the nozzle.

CAUTION

This exhaust nozzle is not intended to withstand positive pressures. Ensure that any system valves are correctly scheduled to avoid pumping to a closed exhaust line. If using a plastic hose, avoid sharp bends which may kink the hose and restrict the exhaust line. Edwards recommends using reinforced plastic hose. Refer to the installation section of the nXDS pump instruction manual.

This page has been intentionally left blank.

7 Mountable vibration isolators

7.1 Description

The Edwards mountable vibration isolators can be used to reduce the transmitted vibration from the pump to a mounting surface such as a system frame.

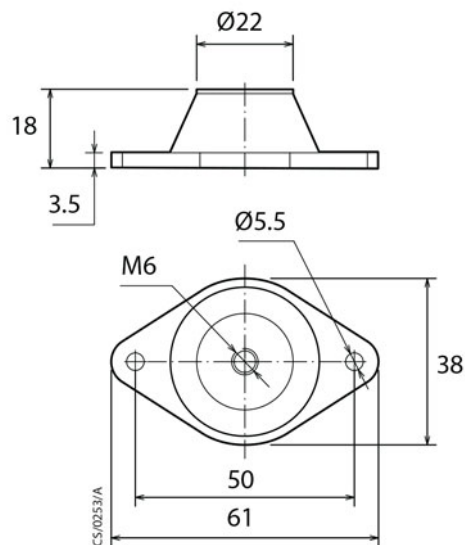
The mountable vibration isolators have fixing holes to allow the pump to be bolted to the floor or system frame.

7.2 Technical data

Table 12 - Vibration isolator technical data

Pump model	Pump mass (kg)	Maximum load per isolator (kg)	Nominal deflection (mm)
nXDS6i	26.2	18.0	4
nXDS10i	25.8	18.0	4
nXDS15i	25.2	18.0	4
nXDS20i	25.6	18.0	4

Figure 7 - Vibration isolator dimensions



7.3 Installation

Table 13 - Mountable vibration isolators - checklist of components (A248-01-441)

Qty	Description	Check (✓)
4	Vibration isolator	<input type="checkbox"/>
4	Pump fixing screw	<input type="checkbox"/>
4	Plain washer	<input type="checkbox"/>
4	Shake-proof washer	<input type="checkbox"/>

7.3.1 Install the Edwards mountable vibration isolators

Ensure the pump is switched off before fitting.

1. Unscrew and remove the standard rubber feet if fitted.
2. Fit the vibration isolators to the pump ([Figure 1](#), item 6) using the screws and washers provided.
3. Using 5 mm bolts (not supplied), fix the vibration isolators bolted to the fixing surface or system frame.

Edwards recommends the fitting of flexible tubing or bellows connections between the pump-inlet and the pump-outlet and the rest of the system, to prevent the transmission of stress to the vacuum pipelines and/or equipment.

8 Chemical resistance conversion kit

8.1 Description

The adaptor kit allows the conversion of a standard nXDS pump into an nXDS-C version. This conversion may be necessary if anticipating the use of the pump on applications involving corrosive substances.

8.2 Installation

Table 14 - Chemical resistance conversion kit - checklist of components nXDS6i/10i/15i (A735-01-807)

Qty	Description	Check (✓)
2	Valve pad (Chemraz)	<input type="checkbox"/>
2	Valve spring	<input type="checkbox"/>
2	19.6ID O-ring	<input type="checkbox"/>
2	NW25 stainless steel port	<input type="checkbox"/>
2	NW25 port O-ring	<input type="checkbox"/>

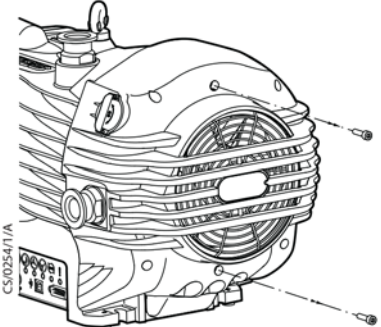
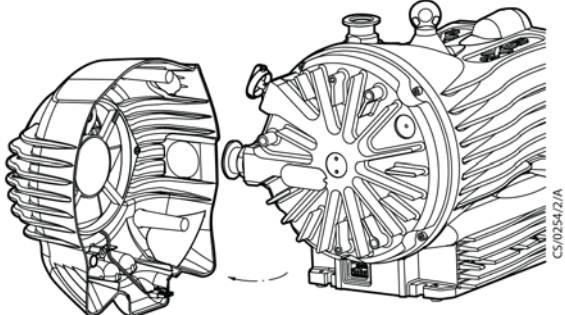
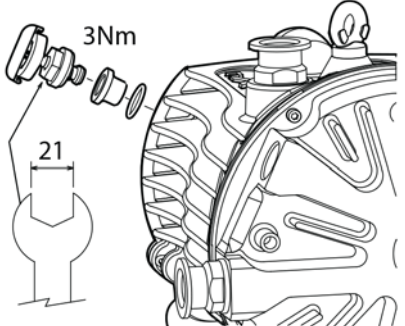
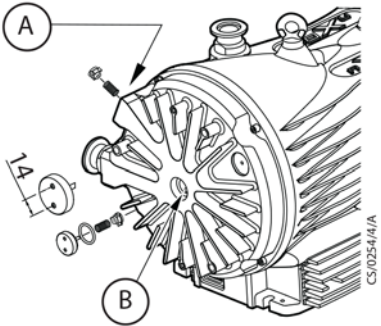
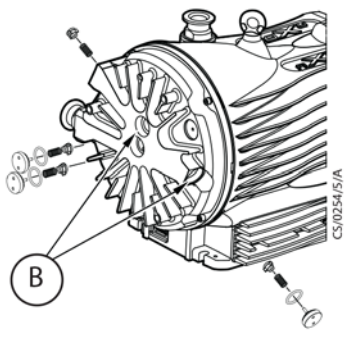
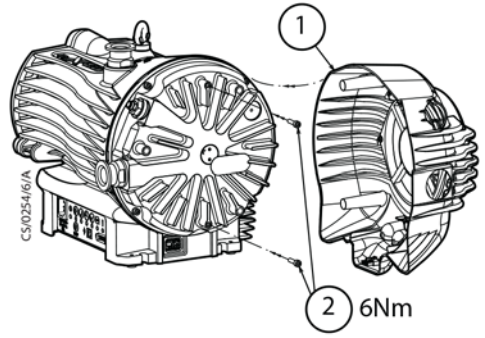
Table 15 - Chemical resistance conversion kit - checklist of components nXDS20i (A735-01-808)

Qty	Description	Check (✓)
4	Valve pad (Chemraz)	<input type="checkbox"/>
4	Valve spring	<input type="checkbox"/>
4	19.6ID O-ring	<input type="checkbox"/>
2	NW25 stainless steel port	<input type="checkbox"/>
2	NW25 port O-ring	<input type="checkbox"/>

8.2.1 Install the chemical resistance conversion kit

Ensure the pump is switched off before fitting. Discard all used 19.6 ID O-ring's.

Valve pad conversion

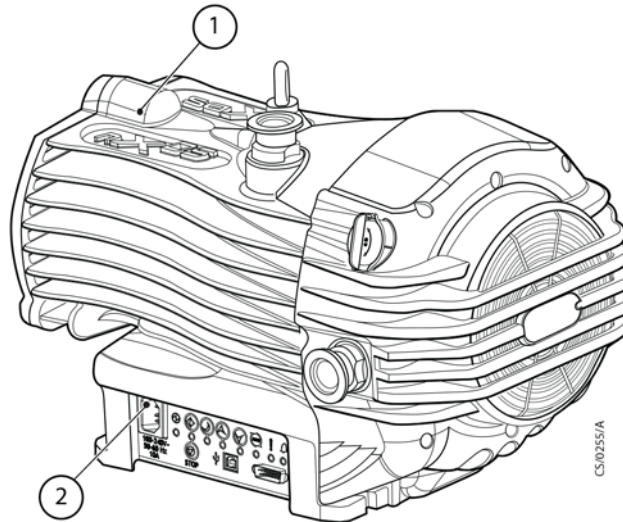
<p>1. Undo the 2 off retaining bolts and partially remove the fan cowl. Caution: Cooling fan supply lead attached.</p>	<p>2. Carefully disconnect the cooling fan electrical supply lead and remove the fan cowl.</p>
	
<p>3. Using a 21 mm AF spanner (not supplied), remove the gas ballast control assembly, seat and O-ring.</p>	<p>4a. (nXDS6i, 10i & 15i) Remove the remaining items (spring and pad) from the gas ballast port. Using a pin spanner, remove the exhaust valve end cap, O-ring, spring and valve pad.</p>
	
<p>4b. (nXDS20i) The nXDS20i uses two addition exhaust valves. Remove these using the same procedure as in 4a.</p>	<p>5. Assemble the new valve parts in reverse order. 6. Reconnect and assemble the cooling fan supply lead and fan cowl (1) in reverse order. Torque the retaining bolts (2) to 3 Nm.</p>
	

A. Gas ballast port
B. Exhaust valves

8.2.2 Inlet/exhaust port conversion

Using a 30 mm AF spanner (not supplied), remove both the inlet and exhaust ports. Locate the stainless steel ports provided in the kit and assemble using new O-rings in reverse order (refer to [Figure 8](#)).

Figure 8 - Inlet/exhaust port conversion



1. Inlet port
2. Exhaust port

As a precaution, Edwards recommends a complete a vacuum leak check after this installation.

This page has been intentionally left blank.

9 Pump-to-controller cable

9.1 Description

The control cable is used to connect the nXDS pump directly to the RS485 or RS232 serial input on the control equipment or a PC, or alternatively, to an Edwards controller such as a TIC (Turbo Instrument Controller) or TAG (Turbo & Active controller).

9.2 Technical data

For full details of the Logic interface technical data, refer to the nXDS pump instruction manual A735-01-880, Section 2.

Table 16 - Ordering information

Product description	Ordering information
1 m cable	D395-00-835
2 m cable	D395-00-836
5 m cable	D395-00-837

9.3 Installation

Table 17 - Checklist of components

Qty	Description	Check (✓)
1	Control cable	<input type="checkbox"/>

Ensure the pump is switched off before fitting. Secure the cable using the retaining screws incorporated in the D-type connector.

This page has been intentionally left blank.